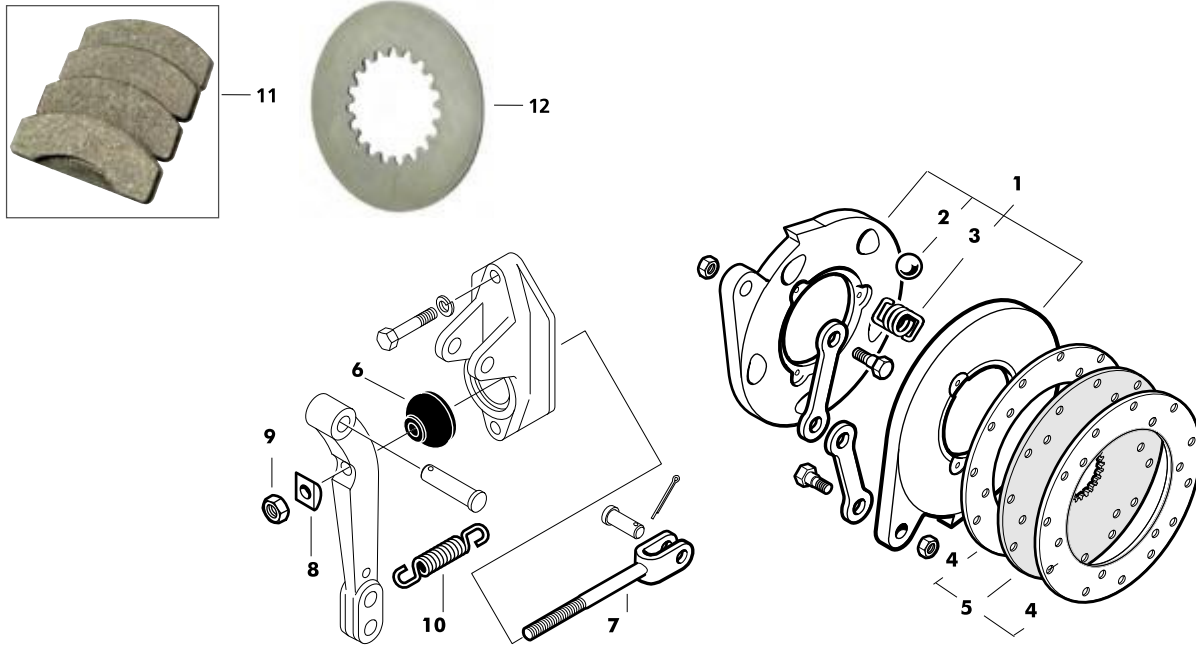


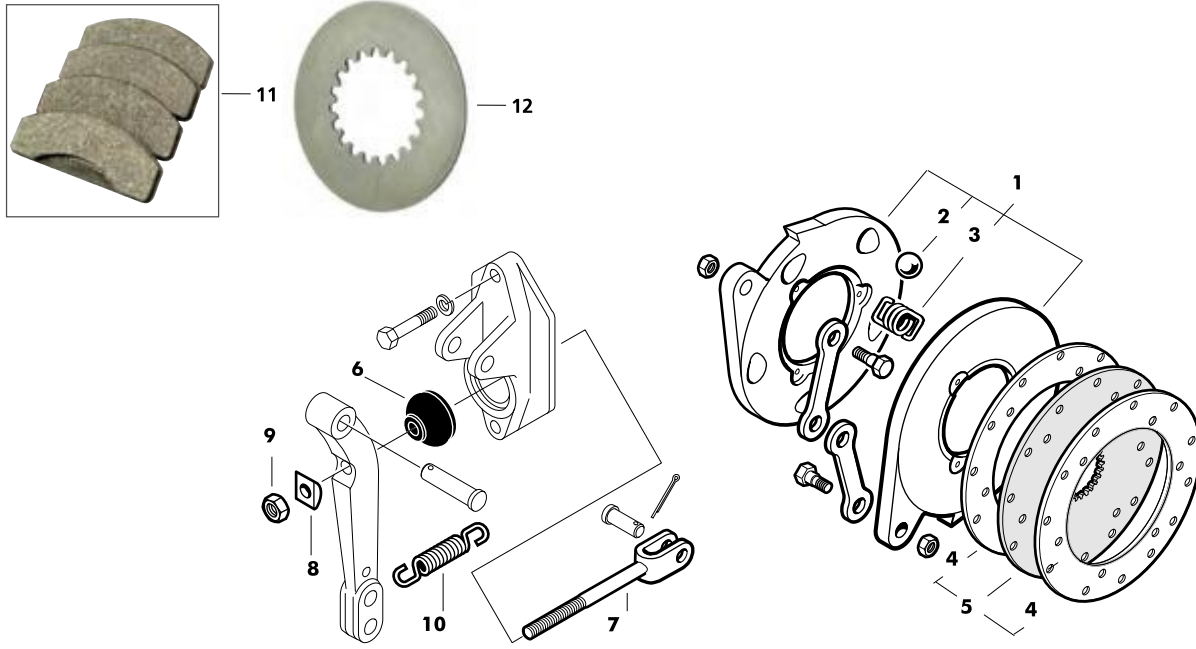
MF06

	Description	OEM Ref:	Applications
1	<b>S.42592</b> Brake Back Plate Assembly Floating Cam, Dual Action	827143M91	<b>TEA20, TED20, TEF20</b> <b>FE35, 35, 35X, 133, 135, 140, 148, 230, 231, 235, 240, 245, 250, 340, 550</b>
2	<b>S.1785</b> Spring Two fitted per drum	825064M1, 1890319M1	<b>TEA20, TED20, TEF20 FE35, 35, 35X, 135, 148, 230, 240, 550,</b> <b>(65, 158, 165, 168, 175, 178 Secondary Drum Brake System - If Fitted),</b> <b>(340 Drum Brake Models) Industrial 20C, 20D, (50, 50B, 50B MKII, 50D, 50F, 50H/HX,</b> <b>50H/HX"S" Series, 60H, 60H"S" Series Secondary Brake Systems)</b>
3	<b>S.42067</b> Spring - 5 3/16" long One fitted per drum	1850217M1	<b>TEA20, TED20, TEF20 FE35, 35, 35X, 135, 148, 230, 240, 550, (65, 158, 165, 168,</b> <b>175, 178 Secondary Drum Brake System - If Fitted), (340 Drum Brake Models)</b> <b>Industrial 20C, 20D, (50, 50B, 50B MKII, 50D, 50F, 50H/HX, 50H/HX"S" Series, 60H,</b> <b>60H"S" Series Secondary Brake Systems)</b>
4	<b>S.41564</b> Brake Adjuster	1850213M91	<b>FE35, 35, 35X, 135, 148, 230, 240, 550, (65, 158, 165, 168, 175, 178, Secondary Drum</b> <b>Brake System - If Fitted), (340 Drum Brake Models)</b> <b>Industrial 20C, 20D, (50, 50B, 50B MKII, 50D, 50F, 50H/HX, 50H/HX"S" Series, 60H,</b> <b>60H"S" Series Secondary Brake System)</b>
5	<b>S.61877</b> Brake Shoe - Bonded	830537M92	<b>TO20</b>
5	<b>S.40825</b> Brake Shoe - 2" wide	1810517M1	<b>TEA20, TED20, TEF20 FE35, 35, 35X, 135, 148, 230, 240, 550, (65, 158, 165, 168,</b> <b>175, 178 Secondary Drum Brake System - If Fitted), (340 Drum Brake Models)</b> <b>Industrial 20C, 20D, (50, 50B, 50B MKII, 50D, 50F, 50H/HX, 50H/HX"S" Series, 60H,</b> <b>60H/HX"S" Series Secondary Brake System)</b>
6	<b>S.4163</b> Brake Lining Kit 2" (Set of 4 c/w S.41797 48 Rivets)	1851062M91	<b>TEA20, TED20, TEF20 FE35, 35, 35X, 135, 148, 230, 240, 550, (65, 158, 165, 168,</b> <b>175, 178 Secondary Drum Brake System - If Fitted), (340 Drum Brake Models)</b> <b>Industrial 20C, 20D, (50, 50B, 50B MKII, 50D, 50F, 50H/HX, 50H/HX"S" Series, 60H,</b> <b>60H/HX"S" Series Secondary Brake System)</b>
6	<b>S.39889</b> Brake Lining	1802659M1, 1804938M1, 3106019M1	<b>(122, 130 Dual Brakes)</b>
6	<b>S.42951</b> Brake Lining Kit 1 1/2" Set of 4 c/w 48 rivets	1810515M91, 1852146M91, 3106018M91	<b>(135, 235, 250 Dual Brake)</b>
7	<b>S.41797</b> Brake Lining Rivet (J7)	-	<b>TEA20, TED20, TEF20 FE35, 35, 35X, (122, 130 Dual Brake), 135, 148, 230,</b> <b>(235 Dual Brake), 240, (250 Dual Brake), 550, (65, 158, 165, 168, 175, 178 Secondary</b> <b>Drum Brake System - If Fitted), (340 Drum Brake Models)</b> <b>Industrial 20C, 20D, (50, 50B, 50B MKII, 50D, 50F, 50H/HX, 50H/HX"S" Series, 60H,</b> <b>60H"S" Series Secondary Brake System)</b>
8	<b>S.41483</b> Brake Pin Kit (Contains: 4 x Pins, 8 x Cups, 4 x Springs)	1810029M91	<b>TEA20, TED20, TEF20 FE35, 35, 35X, 135, 148, 230, 240, 550, (65, 158, 165, 168,</b> <b>175, 178 Secondary Drum Brake System - If Fitted), (340 Drum Brake Models)</b> <b>Industrial 20C, 20D, (50, 50B, 50B MKII, 50D, 50F, 50H/HX, 50H/HX"S" Series, 60H,</b> <b>60H"S" Series Secondary Brake System)</b>
9	<b>S.40827</b> Brake Drum	827707M5	<b>TEA20, TED20, TEF20</b> <b>FE35, 35, 35X, 135, 148, 230, 240,</b> <b>(340 Brake Drum Models), 550</b> <b>Industrial 20C, 20D</b>
10	<b>S.41554</b> Screw - Brake Drum Retainer 1/2" UNC	182278M1	<b>TEA20, TED20, TEF20</b> <b>FE35, 35, 35X, 135, 148, 230, 240,</b> <b>(340 Brake Drum Models), 550</b> <b>Industrial 20C, 20D</b>
11	<b>S.43785</b> Centralising Plates (LH&RH)	825590M1, 825591M1	<b>TE20, TEA20, TED20, TEF20</b>
12	<b>S.41411</b> Spring - Brake Return	184171M1, 1868691M1	<b>FE35, 35, 65, 135, 158, 165, 168, 175, 178, 185, 188, 240, 250, 253, (265, 275, 285,</b> <b>290 Mechanical Brakes Only), 565, 575, 590, 765, 1200</b> <b>Industrial 20F, 30B, (30E, 40E Mechanical Brakes Only), 40B, 50, 50A, 50B, 50B MKII,</b> <b>50C</b>



MF06

		Description	OEM Ref:	Applications
1	<b>S.57292</b>	Brake Actuator (6 1/2" Ø) Supercedes S.42794	1822606M92	(154>122647-2WD/2228960-4WD), (174>1219625-2WD/22111008-4WD), (2945>1250506-2WD/2251723-4WD)
1	<b>S.40829</b>	Brake Actuator (7" Ø) (O.D. 178mm)	764805M92	<b>65, (135, 135, 140 Narrow-Germany), 145, 152, 155, 158, (165&gt;597745), 175, 178, 765, 1080</b> Industrial (50>826599) Combine <b>99</b>
1	<b>S.42796</b>	Brake Actuator (7" Ø) (O.D. 178mm)	1895334M91	(2945 1250507-2WD/2251724-4WD>), Combines <b>560, 565, 660, 665</b>
2	<b>S.41451</b>	Carbon Steel Ball Bearing (7/8" Ø)	16779X	<b>65, (135 Disc Brakes), 133/135 MKIII/135 V, 135/148 MKIII/135/145 V/S (FR), 145 MKIII/145 V, 152 MKII/152 F, 152 MKIII/152 V/S, 158 MKIII/158 F, 158 MKIII/158 S, 158 MKIII/158 V, 165, 165/168/185/188, 168 MKIII/168 F, 168 MKIII/168 S, 168, 185, 188, (240 522354&gt;, &gt;A20286), (240 &gt;522353), 250, (250 Brazil), 255, 260, 265, (265 193552&gt;), (265 &gt;193552), (265 Brazil), 275, (275 221522&gt;), (275 &gt;221522), (275 Brazil), (283 Brazil), 285, 290, (290 387021&gt;), (290 &gt;387020), (290 Brazil), (292 Brazil), (297 Brazil), 298 (GB), 298 (FR), (298 Brazil), (299 Brazil), 415, (425 2WD &gt;238493), (425 4WD &gt;237827), (435 2WD &gt;236380), (435 4WD &gt;236060), (440 2WD &gt;236369), (440 4WD &gt;236556), (445 2WD &gt;BS035008), (445 4WD &gt;236223), (460 2WD &gt;239117), (460 4WD &gt;236903), (465 4WD &gt;236367), (475 4WD &gt;238868), (481 Japan Only), (492 Japan Only), 560, 565, 575 (FR), 575 (GB), 575/590 (FR), 590 (FR), 590 (GB), 592 (FR), 595/595 MKII (FR), (650 (BR for EAME)), (660 (BR for EAME)), (675 &gt;1984), (675 1984&gt;), 680, (690 1984&gt;), (690 &gt;1984), (698 T 1984&gt;), (698 1984&gt;), (698 &gt;1984), 699, 1004 T, 1004, 1080, 1200, 1250</b> Industrial <b>20F, 30B, 30E, 30H, 40B, 40E, 50, 50A, 50B, 50B MKII, 50C, 50D, 50E/EX, 50F, 50H/HX, 50H/HX"S", 50H/HX"T", 60H, 60H"S", 60H"T"</b>
2	<b>S.43237</b>	Carbon Steel Ball Bearing (1" Ø)	16780X	<b>3610, 3630, 3635, 3645, 3650, 3655, 3670, 3680, 3690</b>
3	<b>S.5693</b>	Spring - Brake Actuator Round ends	1005510M1	<b>65, 145, 152, 154, 155, 158, (165&gt;597745), 174, 175, 178, 184, 194, 233, 234S, 253, 254, 263T, 264T, 273, 274, 283, 284, 293, 294, 333, 334V, 353, 354, 363, 364, 373, 374, 376, 383, 393, 394, 396, 765, 1080, 1104,</b> Industrial (50>826599) Combine <b>99, 740, 740E</b>
3	<b>S.40834</b>	Spring - Brake Actuator Square ends	1853148M1, 1886562M1	<b>133, 135, 135MKIII, 148MKIII, 152MKIII, 154, 158, (165 100001&gt;), 168, 174, 184, 185, 188, 194, 240, (235 Brazil), 250, (250X Brazil), 253, 254, 261, 265, (265 Brazil), 274, (275 Brazil), (283 Brazil), 285, (290 Brazil), (292 Brazil), 294S, (295 Brazil), (296 Brazil), (297 Brazil), (298 Brazil), (299 Brazil), 350, 352, 355, 360, 362, 365, 372, 375, 377, 382, 387, 390, 390T, 397, 398, 399, (415), (425 2WD &gt;238493), (425 4WD &gt;237827), (435 2WD &gt;236860), (435 4WD &gt;236060), (440 2WD &gt;236369), (440 4WD &gt;236556), (445 2WD &gt;BS035008), (445 4WD &gt;236223), (460 2WD &gt;239117), (460 4WD &gt;236903), (465 4WD &gt;236367), (475 4WD &gt;238868), (481 Japan Only), 565, 575, 590, 595, 650, 660, 680, 675, 690, 698, 698T, 699, 1004, 1004T, 1007, 1014, 1024, 1085, 1114, 1134, (1200 900952&gt;), 1250, 1685</b> Industrial <b>20F, 30B, 30E, 30H, 40B, 40E, (50 826600&gt;), 50A, 50B, 50B MKII, 50C, 50D, 50E/EX, 50F, 50H/HX"S", 50H/HX"T", 60H, 60H"S", 60H"T"</b>



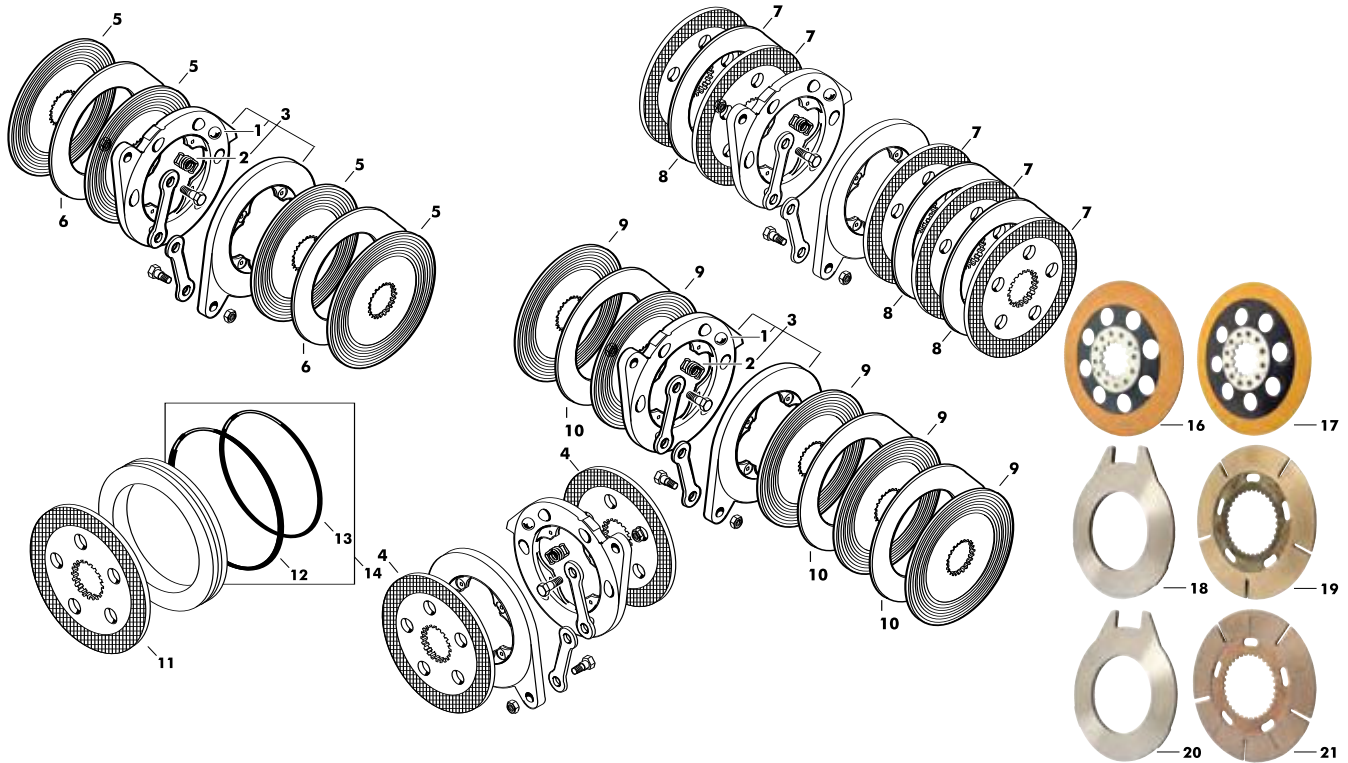
MF06

		Description	OEM Ref:	Applications
4	<b>S.4162</b>	Brake Lining Kit 7"/178mm (Set of 4 & Rivets)	840916M92	<b>65, 133, 135, 140, 145, 152, (154 1226478-2WD/2228961-4WD&gt;), 154S, 155, 158, 165, 165MKIII, (174 1219626-2WD/22111009-4WD&gt;), 174S, 184S, 234S, (254 2228961&gt;), (254S 1226478-2WD/2228961-4WD&gt;), 175, 175S, 178, (274 22111009&gt;), (274S 1219656-2WD/22111009-4WD&gt;), 294S, 765, 865, 1104 Industrial (50&gt;826599) Combines 99</b>
5	<b>S.61126</b>	Brake Disc - Dry Type (220mm/9"Ø)	1805980M1, 1044526M2, 3609064M1	<b>(135, 165, 175, 178, 180, 595, 1080, 1085, 1200 Models with Cast Axles)</b>
5	<b>S.42793</b>	Brake Disc - Dry Type 164mmØ 13 teeth	1823112M92	<b>(154&gt;122647-2WD/2228960-4WD), (174&gt;1219625-2WD/22111008-4WD), 184, 194, (254&gt;2228960), (274&gt;22111008), 284, (294S&gt;1250506-2WD/2251723-4WD), 560, 565, 660, 665</b>
5	<b>S.42795</b>	Brake Disc - Dry Type	1895852M91	<b>(154 122647-2WD/2228961-4WD&gt;), 154S, (174 1219625-2WD/22111009-4WD&gt;), 174S, 184, 184S, 194, 234S, (254 2228961&gt;), (254S 122647-2WD/2228961-4WD&gt;), (274 22111009&gt;), (274S 1219626-2WD/22111009-4WD&gt;), 284, (294S 1250507-2WD/2251724-4WD&gt;), Combines 560, 565, 660, 665</b>
5	<b>S.40832</b>	Brake Disc - Dry Type (7"Ø) Supercedes S.40831	1810335M91, 1810350M91	<b>65, 133, 135, 140, 145, 152, 155, 158, 165, 165MKIII, 175, 175S, 178, 765, 1104, Industrial (50&gt;826599) Combines 99</b>
6	<b>S.42235</b>	Rubber Boot - Brake Seal (Dry Brakes)	183462M1 180579M3	<b>65, 133, 135, 140, 145, 152, 154, 154S, 155, 158, 165, 165MKIII, 174, 174S, 175, 175S, 178, 184, 184S, 194, 234S, 254, 254S, 274, 274S, 284S, 294S, 595, 765, 865, 1080, 1085, 1104 Industrial (50&gt;826599) Combines 99, 530S, 560, 565, 660, 665, 810, 815, 820, 825, 830, 835, 840, 845</b>
7	<b>S.1770</b>	Brake Rod - Dry Brakes (c/w Spacer & Nut)	184334M1 184257M1 376760X1	<b>65, 145, 152, 155, 158, 165, 165MKIII, 175, 178, 765, 865, 1080 Industrial (50&gt;826599) Combines 99</b>
8	<b>S.1764</b>	Spacer - Brake Rod (Dry Brakes)	184257M1	<b>65, 145, 152, 155, 158, 165, 165MKIII, 175, 178, 765, 865, 1080 Industrial (50&gt;826599) Combines 99</b>
9	<b>S.4959</b>	Self Locking Nut - 7/16" UNF Din No. 985. Grade 8.8	363571X1 376296X1 376760X1	<b>65, 158, 165, 175, 178, 185, 188, 240, 250, 253, (265, 275, 285, 290 Mechanical Brakes Only), 565, 575, 590, 595, 765, (1200 900952&gt;) Industrial 20F, 30B, (30E, 40E Mechanical Brakes Only), 40B, 50, 50A, 50B, 50B MKII, 50C</b>
10	<b>S.41411</b>	Spring - Brake Return	184171M1, 1868691M1	<b>FE35, 35, 65, 135, 158, 165, 168, 175, 178, 185, 188, 240, 250, 253, (265, 275, 285, 290 Mechanical Brakes Only), 565, 575, 590, 765, 1200 Industrial 20F, 30B, (30E, 40E Mechanical Brakes Only), 40B, 50, 50A, 50B, 50B MKII, 50C</b>
11	<b>S.42834</b>	Brake Pad Kit	1804077M92 1804693M92 3910279M91	<b>122, 130</b>
11	<b>S.37264</b>	Brake Lining	3302354M1, 3302353M1	<b>154 (F/S), 174 (F/S), 184 (F/S), 194 (F/S), 253, 254, 254S, 273, 274, 274 (S/K), 283, 284S, 293, 294S, 1014, 1024, 1114, 1134</b>
12	<b>S.37267</b>	Brake Disc	3302355M1	<b>154 (F/S), 174 (F/S), 184 (F/S), 194 (F/S), 253, 254, 254S, 273, 274, 274 (S/K), 283, 284S, 293, 294S</b>

	Description	OEM Ref.	Applications
1	<b>S.41451</b> Carbon Steel Ball Bearing ( $\frac{7}{8}$ " $\varnothing$ )	16779X	65, (135 Disc Brakes), 133/135 MKIII/135 V, 135/148 MKIII/135/145 V/S (FR), 145 MKIII/145 V, 152 MKII/152 F, 152 MKIII/152 V/S, 158 MKIII/158 F, 158 MKIII/158 S, 158 MKII/158 V, 165, 165/168/185/188, 168 MKIII/168 F, 168 MKIII/168 S, 168, 185, 188, 240 (522354>, >A20286), 240 (>522353), 250, (250 Brazil), 255, 260, 265, (265 193552>), (265 >193552), (265 Brazil), 275, (275 221522>), (275 >221522), (275 Brazil), (283 Brazil), 285, 290, (290 387021>), (290 >387020), (290 Brazil), (292 Brazil), (297 Brazil), 298 (GB), 298 (FR), (298 Brazil), (299 Brazil), 415, (425 2WD >238493), (425 4WD >237827), (435 2WD >236380), (435 4WD >236060), (440 2WD >236369), (440 4WD >236556), (445 2WD >B5035008), (445 4WD >236223), (460 2WD >239117), (460 4WD >236903), (465 4WD >236367), (475 4WD >238868), (481 Japan Only), (492 Japan Only), 560, 565, 575 (FR), 575 (GB), 575/590 (FR), 590 (FR), 590 (GB), 592 (FR), 595/595 MKII (FR), (650 (BR for EAME)), (660 (BR for EAME)), (675 >1984), (675 1984>), 680, (690 1984>), (690 >1984), (698 T 1984>), (698 1984>), (698 >1984), 699, 1004 T, 1004, 1080, 1200, 1250 Industrial 20F, 30B, 30E, 30H, 40B, 40E, 50, 50A, 50B, 50B MKII, 50C, 50D, 50E/EX, 50F, 50H/HX, 50H/HX"S", 50H/HX"TT", 60H, 60H"S", 60H"TT"
2	<b>S.5693</b> Spring - Brake Actuator Round ends	1005510M1	65, 145, 152, 154, 155, 158, (165>597745), 174, 175, 178, 184, 194, 233, 234S, 253, 254, 263T, 264T, 273, 274, 283, 284, 293, 294, 333, 334V, 353, 354, 363, 364, 373, 374, 376, 383, 393, 394, 396, 765, 1080, 1104, Industrial (50>826599), Combine 99, 740, 740E
2	<b>S.40834</b> Spring - Brake Actuator Square ends	1853148M1, 1886562M1	133, 135, 135MKIII, 148MKIII, 152MKIII, 154, 158, (165 100001>), 168, 174, 184, 185, 188, 194, 240, (235 Brazil), 250, (250X Brazil), 253, 254, 261, 265, (265 Brazil), 274, (275 Brazil), (283 Brazil), 285, (290 Brazil), (292 Brazil), 294S, (295 Brazil), (296 Brazil), (297 Brazil), (298 Brazil), (299 Brazil), 350, 352, 355, 360, 362, 365, 372, 375, 377, 382, 387, 390, 390T, 397, 398, 399, (415), (425 2WD >238493), (425 4WD >237827), (435 2WD >236860), (435 4WD >236060), (440 2WD >236369), (440 4WD >236556), (445 2WD >B5035008), (445 4WD >236223), (460 2WD >239117), (460 4WD >236903), (465 4WD >236367), (475 4WD >238868), (481 Japan Only), 565, 575, 590, 595, 650, 660, 680, 675, 690, 698, 698T, 699, 1004, 1004T, 1007, 1014, 1024, 1085, 1114, 1134, (1200 900952>), 1250, 1685 Industrial 20F, 30B, 30E, 30H, 40B, 40E, (50 826600>), 50A, 50B, 50B MKII, 50C, 50D, 50E/EX, 50F, 50H/HX"S", 50H/HX"TT", 60H, 60H"S", 60H"TT"
3	<b>S.40830</b> Brake Actuator 9" $\varnothing$ (O.D. 225mm)	1860963M91, 1860963M92	(235 Brazil), (250X Brazil), (265 Brazil), (275 Brazil), (290 Brazil), (292 Brazil), (295 Brazil), (296 Brazil), (297 Brazil), (298 Brazil), (299 Brazil), 1004T, 1004, 1080, 1200, 1250, 133/135 MKIII/135 V, 135/148 MKIII/135/145 V/S (FR), 145 MKIII/145 V, 152 MKII/152 F, 152 MKIII/152 V/S, 158 MKIII/158 F, 158 MKIII/158 S, 158 MKII/158 V, 165, 165/168/185/188, 168 MKIII/168 F, 168 MKIII/168 S, 168, 185, 188, 240 (522354>, >A20286), 240 (>522353), 250, 255, 260, 265, (265 193552>), (265 >193552), 275, (275 221522>), (275 >221522), 285, 290, (290 387021>), (290 >387020), 298 (GB), 298 (FR), 415, (425 2WD >238493), (425 4WD >237827), (435 2WD >236380), (435 4WD >236060), (440 2WD >236369), (440 4WD >236556), (445 2WD >B5035008), (445 4WD >236223), (460 2WD >239117), (460 4WD >236903), (465 4WD >236367), (475 4WD >238868), (481 Japan Only), (492 Japan Only), 560, 565, 575 (FR), 575 (GB), 575/590 (FR), 590 (FR), 590 (GB), 592 (FR), 595/595 MKII (FR), (650 (BR for EAME)), (660 (BR for EAME)), (675 >1984), (675 1984>), 680, (690 1984>), (690 >1984), (698 T 1984>), (698 1984>), (698 >1984), 699 Industrial 20F, 30B, 30E, 30H, 40B, 40E, (50 826600>), 50A, 50B, 50B MKII, 50C, 50D, 50E/EX, 50F, 50H/HX, 50H/HX"S", 50H/HX"TT", 60H, 60H"S", 60H"TT"
3	<b>S.43443</b> Brake Actuator (RH)	3596778M91	(350 V39466>), 352, (355 V39466>), 360, 362, 362N, (365 V39466>), 372N, (375 V39466>), 382N, (390 V39466>), 390T, 396, (398, 399 V39466>), 4215, 4220, 4225, 4235, 4240, 4245, 4255, 4260, 4265, 4270, 4315, 4320, 4325, 4335, 4360, 4365, 4370, 5335, 5340, 5355, 5360, 5365
3	<b>S.43483</b> Brake Actuator (LH)	3596776M91	(350 V39466>), 352, (355 V39466>), 360, 362, 362N, (365 V39466>), 372N, (375 V39466>), 382N, (390 V39466>), 390T, 396, (398 V39466>), (399 V39466>), 4215, 4220, 4225, 4235, 4240, 4245, 4255, 4260, 4265, 4270, 4315, 4320, 4325, 4335, 4360, 4365, 4370, 5335, 5340, 5355, 5360, 5365
3	<b>S.37260</b> Brake Actuator	1806264M92, 535873M91	135, 165, 175, 178, 180, 188, 595
3	<b>S.37261</b> Brake Actuator Hand Brake	3382325M1	3050, 3060, 3065, 3070, 3075, 3080, 3085, 3090, 3095, 3115, 3120, 3125, (6120, 6130, 6140, 6150, 6160, 6170, 6180 >E327006)
3	<b>S.37262</b> Brake Actuator Hand Brake	3617341M2	2620, 2625, 2640, 2645, 2680, 2685, 2720, 2725, 3610, 3630, 3635, 3650, 3655, 3670, 3680, 3690, 8110, 8120, 8130, 8140, 8150, 8160
4	<b>S.37265</b> Brake Lining	1630944M91	135, 165, 175, 178, 180, 188, 595
5	<b>S.42141</b> Brake Disc - Handbrake $\varnothing$ 144 x 46mm (24 Splines)	3385987M1	3050, 3060, 3065, 3070, 3075, 3080, 3090, 3095, 3115, 3120, 3125, (6120, 6130, 6140, 6150, 6160, 6170, 6180 >E327006)
5	<b>S.43464</b> Brake Disc - Handbrake 164mm $\varnothing$ x 46mm (24 Splines)	3790493M1	3050, 3060, 3065, 3075, 3085, 3095, 3120, 3125, 5425, 5435, 5445, 5455, 5460, 5465, (6120, 6130, 6140, 6150, 6160, 6170, 6180 E327007>), 6190, 6235, 6245, 6255, 6260, 6265, 6270, 6280, 6290, 6445, 6455, 6460, 6465, 6470, 6475, 6480
6	<b>S.43463</b> Brake Disc - Handbrake	3715250M2	(2620>271212), 2625, 2640, 2645, 2680, 2685, 2720, 2725, 3610, 3630, 3635, 3645, 3650, 3655, 3670, 3680, 3690, 8120, 8110, 8130, 8140, 8150, 8160
7	<b>S.43465</b> Brake Disc - Handbrake Intermediate	3380442M1, 3405476M1	(2620>271212), 2625, 2640, 2645, 2680, 2685, 2720, 2725, 3610, 3630, 3635, 3650, 3655, 3670, 3680, 3690, 8110, 8120, 8130, 8140, 8150, 8160
8	<b>S.40837</b> Brake Disc - Wet Brakes (5 required for each side)	1860964M1, 1861059M92	133, 135MKIII, 145MKIII, 148MKIII, 152MKIII, 158, (165 100001>), 168, 185, 188, (235 Brazil), 240, 243, 250, 253, 255, 260, 261, (265 Brazil), (275 Brazil), (283 Brazil), 285, (290 Brazil), (292 Brazil), (295 Brazil), (296 Brazil), 298, (299 Brazil), 350, 352, 355, 360, 362, 362N, 365, 372, 372N, 375, 382, 382N, 390T, 396, 398, 399, 415, 425, (425 2WD >238493), (425 4WD >237827), 435, (435 2WD >236860), (435 4WD >236060), 440, (440 2WD >236369), (440 4WD >237827), (435 2WD >236860), (435 4WD >236060), (440 2WD >236369), (440 4WD >236556), (445 2WD >B5035008), (445 4WD >236223), 460, (460 2WD >239117), (460 4WD >236903), 465, (465 4WD >236367), 475, (475 4WD >238868), (481 Japan Only), 560, 565, 575, 590, 592, 595, 650, 660, 675, 680, 690, 698, 698T, 699, 1004, 1004T, 1014, 1024, 1080, 1114, 1134, (1200 900952>), 1250, (4200, 4225, 4235, 4240, 4245, 4255, 4260, 4265, 4270, 4300, 4315, 4320, 4325, 4335, 4345, 4355, 4360, 4370 with Tangential Brakes), 5335, 5340, 5355, 5360, 5365 Industrial 20F, 30B, 30E, 40B, 40E, (50 826600>), 50A, 50B, 50B MKII, 50C, 50D, 50E/EX, 50F, 50H/HX, 50H/HX"S", 50H/HX"TT", 60H, 60H"S", 60H"TT"
9	<b>S.43462</b> Brake Disc - Intermediate (Oil Immersed)	3308296M2	134V, 154, 164, 174, 184, 194, 233, 253, 264, 273, 274SK, 283, 284, 293, 294, 294S, 333, 334V, 353, 354, 363, 364, 373, 374, 376, 383, 384, 393, 394, 396, 397, 397T, 1007
10	<b>S.43461</b> Brake Disc (Oil Immersed)	3308295M2	134V, 154, 164, 174, 184, 194, 233, 253, 264T, 264TS, 273, 274SK, 283, 284, 293, 294, 294S, 333, 334V, 353, 354, 363, 364, 373, 374, 376, 383, 384, 393, 394, 396
11	<b>S.40838</b> Brake Disc - Wet Brakes (3 required for each side)	1860965M2	(250 Brazil), (265 Brazil), (275 Brazil), (283 Brazil), (290 Brazil), (292 Brazil), (297 Brazil), (298 Brazil), (299 Brazil), 133, 135MKIII, 145MKIII, 148MKIII, 152MKIII, 158, 165 (100001>), 168, 185, 188, 240, 243, 253, 255, 260, 261, 285, 298, 350, 352, 355, 360, 362, 362N, 365, 372, 372N, 375, 382, 382N, 390, 390T, 396, 398, 399, (415), (425 2WD >238493), (425 4WD >237827), (435 2WD >236860), (435 4WD >236060), (440 2WD >236369), (440 4WD >236556), (445 2WD >B5035008), (445 4WD >236223), 460, (460 2WD >239117), (460 4WD >236903), 465, (465 4WD >236367), 475, (475 4WD >238868), (481 Japan Only), 560, 565, 575, 590, 592, 595, 650, 660, 675, 680, 690, 698, 698T, 699, 1004, 1004T, 1014, 1024, 1080, 1114, 1134, (1200 900952>), 1250, 4200, (4225, 4235, 4240, 4245, 4255, 4260, 4265, 4270, 4300, 4315, 4320, 4325, 4335, 4345, 4355, 4360, 4370 with Tangential Brakes), 4300, 5335, 5340, 5355, 5360, 5365 Industrial 20F, 30B, 30E, 40B, 40E, (50 826600>), 50A, 50B, 50B MKII, 50C, 50D, 50E/EX, 50F, 50H/HX, 50H/HX"S", 50H/HX"TT", 60H, 60H"S", 60H"TT"
12	<b>S.37268</b> Brake Disc	3302840M1	1014, 1024, 1114, 1134
13	<b>S.102748</b> Friction Disc	3700134M1	240 A20287>, 340 A43069>, 342, 410 S19071>, 420, 430
14	<b>S.102740</b> Handbrake Intermediate Disc	3613538M1	240 India, 240S India, 240 >A20287, 240 Xtra India, 260 India, 260 Xtra India, 268 India, 268 Xtra India, 270 India, 280 India, 275 Xtra India, 290 Xtra India, 340, 342, 410, 415, 420, 425, 430, 435, 440, 445, 460, 465, 492, 650, 2615, 2625, 2635, 4225 >K37009, 4235 >K37009, 4240 >K37009, 4245 >K37009, 4255 >K37009, 4260 >K37009, 4265 >K37009, 4270 >K37009, 4315, 4320, 4325, 4335, 4345, 4355, 4360, 4365, 4370, 5335, 5340, 5355, 5360, 5365
15	<b>S.107355</b> Brake Disc	3823952M1	(425 2WD >238493), (425 4WD >237827), (435 2WD >236860), (435 4WD >236060), (440 2WD >236369), (440 4WD >236556), (445 2WD >B5035008), (445 4WD >236223), (460 2WD >239117), (460 4WD >236903), (465 4WD >236367), (475 4WD >238868), (481 Japan Only), (492 Japan Only), (265 Brazil), (275 Brazil), (283 Brazil), (290 Brazil), (292 Brazil), (297 Brazil), (298 Brazil), (299 Brazil)

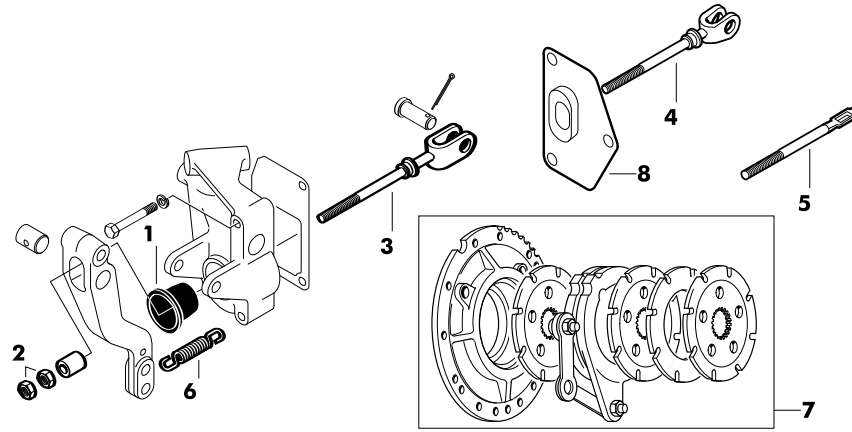
MF06





MF06

	Description	OEM Ref:	Applications
16	<b>S.42355</b> Brake Disc 355mmØ (14 Splines)	3386897M92	2625, 2645, 2685, 3115, 3120, 3125, 3610, 3630, 3635, 3645, 3650, 3655, 3670, 3680
16	<b>S.42354</b> Brake Disc (13 Splines)	3386896M92	(3070, 3080, 3085, 3090, 3095>B082008)
16	<b>S.42648</b> Brake Disc - Wet Brakes (13 Splines HD with riveted centre hub)	3617652M91	3050, 3060, (3070 B082009>), 3075, (3080, 3085, 3090, 3095 B082009>), 5465, (6120, 6130, 6140, 6150, 6160, 6170>E275050), 6245, 6255, 6260, 6270, 6445, 6455, 6460, 6470, 6465
16	<b>S.42649</b> Brake Disc - Wet Brakes 342mmØ (14 Splines)	3617653M91	3050, 3060, 3075, 3115, 3120, 3125, 3635, 3645, 3655, 3670, 6180, 6190, 8110, 8120, 8130, 8140, 8150
16	<b>S.43458</b> Brake Disc - Wet Brakes 14" O/D (14 Splines)	3582085M92	(3050, 3060, 3065 Normal Duty N054001>B126033)
16	<b>S.43459</b> Brake Disc - Wet Brakes (14 splines, riveted type disc, 13.5" O/D)	3617651M91	(3050, 3060, 3065 Normal Duty B126034>), 5425, 5435, 5445, 5455, 5460, (6120, 6130, 6140, 6235 Normal Duty)
17	<b>S.42979</b> O'Ring - Brake. BS280 (355 x 4mm)	3617902M3	3050, 3060, 3065, 3075, 3085, 3095, 3120, 3125, 3635, 3645, 3655, 3670, 3690, 5425, 5435, 5445, 5455, 5460, 5465, 6120, 6130, 6140, 6150, 6160, 6170, 6180, 6190, 6235, 3245, 6255, 6260, 6265, 6270, 6280, 6290, 6445, 6455, 6460, 6465, 6470, 6475, 6480, 8120, 8110, 8130, 8140, 8150, 8160
18	<b>S.42980</b> O'Ring - Brake (310 x 4mm)	3617901M2	3050, 3060, 3065, 3075, 3085, 3095, 3120, 3125, 3635, 3645, 3655, 3670, 3690, 5425, 5435, 5445, 5455, 5460, 5465, 6120, 6130, 6140, 6150, 6160, 6170, 6180, 6190, 6235, 6245, 6255, 6260, 6265, 6270, 6280, 6290, 6445, 6455, 6460, 6465, 6470, 6475, 6480, 8120, 8110, 8130, 8140, 8150, 8160
19	<b>S.43484</b> O'Ring Kit - Brake	1610178M5, 1610179M5	(2620>271212), 2625, 2640, 2645, 2680, 2685, 2720, 2725, 3610, 3630, 3635, 3650, 3655, 3680
20	<b>S.102746</b> Friction Disc	3617649M91	3670 A294003>, 3690 A294003>, 6485 Dyna 6, 6485, 6490, 6495 Dyna 6, 6495, 6497, 6499, 8150, 8160, 8210, 8220, 8240, 8250, 8260 (>01/2001)
21	<b>S.102745</b> Friction Disc 5mm	3795499M1	5475, 5480, 6270 L023002>, 6280 L023002>, 6290 L023002>, 6465, 6475, 6480,
22	<b>S.102738</b> Handbrake Intermediate Disc 6mm	3716932M1	6235 >L037020, 6245 >L037020, 6255 >L037020, 6260 >L037020, 6265 >L037020, 6270 >L037020, 6280 >L037020, 6290 >L037020, 8170, 8180, 8210 >K304025, 8220 >K304025, 8240 >K304025, 8250 >K304025, 8260 >K304025, 8270 >K304025, 8280 >K304025
23	<b>S.102739</b> Handbrake Friction Disc 3.6mm	3716933M1	5425 Tier 3, 6460 Tier 3 50 km/h, 6470 Tier 3 50 km/h, 6475 Tier 3 50 km/h, 6480 Tier 3 50km/h, 6485 Tier 3, 6490 Tier 3, 6495 Tier 3, 6497 Tier 3 T176049>, 6497 Tier 3 R094018>, 6497 Tier 3 >T189041, 6499 Tier 3 T197077>, 6499 Tier 3 R073025>, 6499 >T198034, 8170, 8180, 8210 > SN K304025, 8210 SN K304026>, 8220 > SN K304025, 8220 SN K304026>, 8240 > SN K304025, 8240 SN K304026>, 8250 > SN K304025, 8250 SN K304026>, 8260 > SN K304025, 8260 SN K304026>, 8270 > SN K304025, 8270 SN K304026>, 8280 > SN K304025, 8280 SN K304026>
24	<b>S.102741</b> Handbrake Intermediate Disc 5mm	3795094M1	5425, 5435, 5445, 5455, 5460, 5460SA, 5465, 5470, 5470SA, 5475, 5480, 6235 L037021>, 6245 L037021>, 6255 L037021>, 6260 L037021>, 6265 L037021>, 6270 L037021>, 6280 L037021>, 6290 L037021>, 6445, 6455, 6460, 6465, 6470, 6475, 6480, 6485, 6490 Dyna 6, 6495 Dyna 6, 6497, 6499, 8210 K304026>, 8220 K304026>, 8240 K304026>, 8250 K304026>, 8260 K304026 (>01/2001), 8270 K304026>, 8280 K304026>
25	<b>S.102742</b> Handbrake Friction Disc 4.3mm	3795093M1	3050, 3060, 3065, 3075, 3085, 3095, 3120, 3125, 5425, 5435, 5445, 5455, 5460, 5460SA, 5465, 5470, 5470SA, 5475SA, 5475, 5480, 6120 E327007>, 6130 E327007>, 6140 E327007>, 6150 E327007>, 6160 E327007>, 6170 E327007>, 6180 E327007>, 6190, 6235, 6245, 6255, 6260, 6265, 6270, 6280, 6290, 6445, 6455, 6460, 6465, 6470, 6475, 6480



	Description	OEM Ref:	Applications
1	<b>S.65374</b> Seal (Brake) Wet Brakes (Mechanical Operational)	1860959M1	<b>133, 135MKIII, 145MKIII, 148MKIII, 152MKIII, 154, 158, 164, (165 100001&gt;), 168, 174, 184, 185, 188, 194, 230, 233, 240, 243, 250, 253, 254, 255, 260, 261, 263T, 264T, 265, 273, 274, 275, 283, 285, 290, 373, 374, 377, 383, 384, 387, 393, 394, 397, 415, 425, 435, 440, 445, 460, 465, 475, 560, 565, 575, 590, 592, 595, 650, 660, 680, 1007, 1014, 1024, 1080, 1085, 1114, 1134, (1200 900952&gt;), 1250 Industrial 20F, 30B, 30E, 40E, 40B, (50 826600&gt;), 50A, 50B, 50B MKII, 50C Compact 2205, 2210, 2220, 2225, 2230, 2235</b>
1	<b>S.41993</b> Boot - Brake Seal (Hydraulic Brakes)	1667175M1	<b>255, 260, 265, 275, 290, 298, 560, 675, 690, 698, 698T, 699, 1004, 1004T Industrial 30E, 30h, 40E, 50D, 50E/EX, 50F, 50H/HX, 50H/HX"S", 50H/HX"T", 60H, 60H"S", 60H"T"</b>
2	<b>S.4959</b> Self Locking Nut - 7/16" UNF Din No. 985. Grade 8.8	363571X1, 376296X1, 376760X1	<b>65, 158, 165, 175, 178, 185, 188, 240, 250, 253, (265, 275, 285, 290 Mechanical Brakes Only), 565, 575, 590, 595, 765, (1200 900952&gt;) Industrial 20F, 30B, (30E, 40E Mechanical Brakes Only), 40B, 50, 50A, 50B, 50B MKII, 50C</b>
3	<b>S.41353</b> Brake Rod - Wet Brakes	1861676M91	<b>133, 135MKIII, 145MKIII, 148MKIII, 152MKIII, 158, (165 100001&gt;), 168, 185, 188, 240, 243, 250, 253, 255, 260, 261, 265, 275, 285, 290, 375E, 390E, 415, 425, 440, 445, 460, 475, 560, 565, 575, 590, 595, 650, 660, 680, 1080, 1085, (1200 900952&gt;) Industrial 20F, 30B, 30E, 40E, 40B, (50 826600&gt;), 50A, 50B, 50B MKII, 50C</b>
4	<b>S.42237</b> Brake Rod - Mechanical Brakes	1698715M91, 1670732M91	<b>(255, 260, 265, 275, 290 A264035&gt;), 298, (560, 575, 590 A264035&gt;), 675, 690, 698, 698T, 1004, 1004T</b>
5	<b>S.43492</b> Brake Slave Cylinder Rod - Tangential Brakes	3596780M1	<b>(340, 342 Wet Brakes), (350 V39466&gt;), (352 Wet Brakes), (355, 360 V39466&gt;), 362, 362N, (365 V39466&gt;), 372N, (375 V39466&gt;), 382N, (390 V39466&gt;), 390T, 396, (398 V39466&gt;), 399, 4215, 4220, 4225, 4235, 4240, 4245, 4255, 4260, 4265, 4270, 4315, 4320, 4325, 4335, 4345, 4355, 4360, 4365, 4370, 5335, 5340, 5355, 5360, 5365</b>
6	<b>S.41411</b> Spring - Brake Return	184171M1, 1868691M1, 186869M1	<b>65, 135, 158, 165, 168, 175, 178, 185, 188, 240, 250, 253, (265, 275, 285, 290 Mechanical Brakes Only), 565, 575, 590, 765, 1200 Industrial 20F, 30B, (30E, 40E Mechanical Brakes Only), 40B, 50, 50A, 50B, 50B MKII, 50C</b>
7	<b>S.41458</b> Wet Brake Conversion Kit	WBCK	<b>(165, 168, 175, 178, 185, 188 Only Models with Square type Malleable Iron Axles)</b>
8	<b>S.42644</b> Brake - Cover Plate (LH)	1694264M91	<b>(350, 355, 360, 365, 375, 390, 398, 399&gt;V39466)</b>
8	<b>S.42645</b> Brake - Cover Plate (RH)	1694265M91	<b>(350, 355, 360, 365, 375, 390, 398, 399&gt;V39466)</b>

Hand Brake Cables



Applications	Cable - LH 2 Wheel Drive	Cable - RH 2 Wheel Drive	Cable - LH 4 Wheel Drive	Cable - RH 4 Wheel Drive	Handbrake Cable
<b>230</b>	<b>S.42000</b> 1689025M94 1572mm	<b>S.41999</b> 1689024M93 1232mm			
<b>(240&gt;D41226), 243, 253, 263, 340, 410, 420, 430</b>	<b>S.42000</b> 1689025M94 1572mm	<b>S.41999</b> 1689024M93 1232mm	<b>S.41997</b> 3698736M91 1510mm	<b>S.41998</b> 3698735M91 1230	
<b>(340 Wet Brakes), 342, 352</b>	<b>S.42000</b> 1689025M94 1572mm	<b>S.42001</b> 3596772M92 1160mm			
<b>(350, 355, 360, 365, 375, 390, 398 Concentric without Spacer &gt;V39466)</b>	<b>S.42018</b> 3595763M91 1527mm	<b>S.42017</b> 3595762M91 1247mm			
<b>(350, 360, 375, 390 Concentric with Spacer &gt;V39466)</b>	<b>S.42016</b> 1696649M91 1377mm	<b>S.42015</b> 1696648M91 1097mm	<b>S.42016</b> 1696649M91 1377mm	<b>S.42015</b> 1696648M91 1097mm	
<b>(350, 355, 360, 362, 365, 375, 390, 390T, 396, 398 Tangential without Spacer V39467&gt;)</b>	<b>S.42004</b> 3596775M92 1590mm	<b>S.42003</b> 3596774M92 1310mm			
<b>(350, 355, 360, 362, 362N, 365, 372N, 375, 382N, 390, 390T, 396, 398 Tangential with Spacer V39467&gt;)</b>	<b>S.42002</b> 3596773M92 1440mm	<b>S.42001</b> 3596772M92 1160mm	<b>S.42002</b> 3596773M92 1440mm	<b>S.42001</b> 3596772M92 1160mm	
<b>(355, 365, 399 Concentric with Spacers&gt;V39466)</b>	<b>S.42016</b> 1696649M91 1377mm	<b>S.42015</b> 1696648M91 1097mm	<b>S.42016</b> 1696649M91 1377mm	<b>S.42015</b> 1696648M91 1097mm	
<b>(365, 375, 390, 390T Tangential Forestry Cab)</b>	<b>S.42004</b> 3596775M92 1590mm				
<b>(399 Tangential Hi Line Cab)</b>	<b>S.42004</b> 3596775M92 1590mm	<b>S.42002</b> 3596773M92 1440mm	<b>S.42004</b> 3596775M92 1590mm	<b>S.42002</b> 3596773M92 1440mm	
<b>(3050, 3060, 3065, 3070, 3080, 3085, 3090, 3095, 3115, 3125 Forestry Cab)</b>	<b>S.43469</b> 3583619M1 1405mm		<b>S.43469</b> 3583619M1 1405mm		
<b>3610, 3630, 3635, 3645, 3650, 3655, 3670, 3680, 3690</b>	<b>S.43470</b> 3581143M2 820mm		<b>S.43470</b> 3581143M2 820mm		
<b>(3635, 3645, 3655, 3670, 3690 Forestry Cab)</b>	<b>S.43466</b> 3583620M2 1400mm		<b>S.43466</b> 3583620M2 1400mm		
<b>4120, 4130, 4170</b>	<b>S.43466</b> 3583620M2 1400mm		<b>S.43466</b> 3583620M2 1400mm		
<b>4215, 4220, (4225, 4235, 4240, 4245, 4255, 4260, 4265, 4270, 4315, 4320, 4325, 4335, 4345, 4355, 4360, 4365 With Cab), 4370</b>	<b>S.43468</b> 3806187M91 2520mm		<b>S.43468</b> 3806187M91 2520mm		
<b>6120, 6130, 6140, 6150, 6160, 6170, 6180, 6190</b>	<b>S.43467</b> 3714536M1 1435mm		<b>S.43467</b> 3714536M1 1435mm		
<b>8110, 8130, 8140, 8150, 8160</b>	<b>S.43466</b> 3583620M2 1400mm		<b>S.43466</b> 3583620M2 1400mm		
<b>675, 690, 698, 698T, 699, 1004T</b>					<b>S.103269</b> 1693967M91 930mm
<b>3050, 3060, 3065</b>					<b>S.103274</b> 3581141M2 810mm
<b>3070, 3075, 3080, 3085, 3090, 3095, 3115, 3120, 3120T</b>					<b>S.103275</b> 3581142M2 890mm
<b>5425, 5435, 5445, 5455, 5460, 5460 SA, 5465, 5470, 5470 SA, 5475, 5480, 6160, 6170, 6180, 6190, (6235, 6245, 6255, 6260, 6265, 6270, 6280, 6290 Deluxe Cab)</b>					<b>S.43897</b> 3778581M2 1080mm

MF06




MF06

		Back Office Description	OEM Ref:	Applications
1	S.1766	Spring - Brake Pedal	180809M1	FE35, 35, 35X, 65, 135, 148, 158, 165, 175, 178, 765, Industrial 20C
2	S.41619	Bush - Brake Pedal	195910M1	FE35, 35, 35X, 65, 135, 148, 158, 165, 168, 175, 178, 185, 188, 250, (265, 275, 290 Mechanical Brakes Only), 765, Industrial 20C, 20D, 20F, 40B, (40E Manual Shuttle)
3	S.41341	Handbrake Assembly	898639M92, 898652M91, 1473871M91	135, 148, 152, 158, 165, 168, 175, 178, 230, 231, 235, 240, 245, 250, Industrial 20D, 20F, 20E, 20F, (30E, 40E Mechanical Brakes Only), 50E/EX
4	S.1760	Handbrake Plunger	898654M92	133, 135, 145, 148, 152, 155, 158, 165, 168, 175, 178, 185, 188, 230, 231, 235, 240, 245, 250, 255, 260, 265, 275, 285, 290, 1080, Industrial 20D, 20F, (30E, 40E Mechanical Brakes Only), 50E/EX
5	S.41321	Handbrake Repair Kit	-	133, 135, 145, 148, 152, 155, 158, 165, 168, 175, 178, 185, 188, 230, 231, 235, 240, 245, 250, 255, 260, 265, 275, 285, 290, 1080 Industrial 20D, 20F, (30E, 40E Mechanical Brakes Only), 50E/EX
6	S.43121	Handbrake Assembly	3823545M91, 1696646M93	230, 240, 243, 253, 263, 265S, 275, 285S, 290, 340, 355, 360, 362, 362N, 365, 372N, 375, 382N, 390, 390T, 396, 398, 399
7	S.42309	Brake Shaft Key	29780X	35, 65, 135, 148, 165, 168, 175, 178, 185, 188, 230, 240, 250, 253, 265, 275, 285, 290, 2, 375E, 390E, 1505, 1805
8	S.42593	Shaft - Brake Pedal	180864M1	FE35, 35, 35X, 65, 133, 135, 140, 145, 148, 152, 155, 158, 168, 230, 240, 250, 253
9	S.42594	Brake Pedal (RH)	181961M1, 1861322M91	FE35, 35, 35X, 65, 133, 135, 145, 148, 152, 158, 168, 230, 240, 250, 253, 263, 765
10	S.42595	Brake Pedal (LH)	181962M1, 1861172M91	FE35, 35, 35X, 65, 133, 135, 145, 148, 152, 158, 168, 230, 240, 250, 253, 263, 765
11	S.42596	Brake Shaft Washer	181964M1	FE35, 35, 35X, 65, 133, 135, 140, 145, 148, 165, 168, 175, 178, 185, 188, 230, 240, 250, 253, 265, 275, 290, 1080
12	S.42597	Brake Pedal Lock	181960M1	FE35, 35, 35X, 65, 133, 135, 140, 145, 148, 152, 155, 158, 168, 230, 240, 250, 253
13	S.42600	Clutch Pedal Rod Adjustment: 610mm-645mm	1861031M91	168, 175, 178, 188, 261, 265, 265S, 271, 275, 281, 285S, 290, 375E, 390E
14	S.42601	Brake Pedal Rod 82mm long	884066M95	133, 135MKIII, 135V, 145MKIII, 145V, 148MKIII, 152, 152MKIII, 158, 158MKIII, 165, 165MKIII, 175, 175S, 178, 185, 240, 253, 263, 265, 265S, 285S
15	S.42602	Foot Brake Rod - 900mm (Adjustment: 870mm/920mm)	894536M91	(133, 135, 135E, 135F, 140 Drum Brakes), (235, 245 173013>)
16	S.42610	Brake Rod Pin	832813M1	FE35, 35, 35X, 65, 133, 135, 140, 145, 148, 152, 155, 158, 165, 168, 175, 178, 185, 188, 231, 240, 250, 260, 261, 265, 275, 290, 298, 550, 565, 575, 590, 675, 690, 1080
18	S.43249	Brake Latch Kit	181149M1, 181150M1	TE20, FE35, 35, 35X, 65, 133, 135, 140, 145, 148, 152, 155, 158, 165, 168, 175, 178, 185, 188, 230, 240, 255, 265, 275, 1080, 1500, 1505, 1800, 1805
19	S.43870	Rod - Handbrake (48cm)	894536M91	135
20	S.43779	Rod - Handbrake (50cm)	1676170M93+1 877485M91	230, 231, 235, 240, 245



	<b>S.42797</b> Brake Master Cylinder 3301382M93
	Seal Kit: N/A
<b>254S, 264TS, 274S,</b>	

	<b>S.39888</b> Brake Master Cylinder 3305623M92
	Seal Kit: <b>S.41809</b> 1810687M91
<b>274SK, 284S, 294S</b> (from Eng 12500243 2WD from Eng 22500746 4WD), <b>377</b> (Without front braking), <b>387</b> (Without front braking), <b>397</b> (Without front braking), <b>397T</b> (Without front braking), <b>1007</b> (Without front braking), <b>1014</b> ( From SN 12900443 / 22903936), <b>1024</b> (From SN 13400028 / 23400226), <b>1114</b> (From 2423024041), <b>1134</b> (From 12400050 2WD / 22400367 4WD)	

	<b>S.42798</b> Brake Slave Cylinder 785625M92
	Seal Kit: <b>S.102694</b> 1810573M91
<b>284S, 294S, 1014, 1024, 1114, 1134,</b> Combines <b>400, 410, 415, 500, 510, 515, 520, 525, 530, 530S, 535, 560, 565, 620, 625, 660, 665, 800, 805, 810, 815, 820, 825, 830, 835, 840, 845</b>	


	<b>S.39887</b> Brake Master Cylinder 3303732M92
	Seal Kit: N/A
<b>134V, 154F, 154S, 154V, 164TF, 164TS, 164TV, 174F, 174S, 174V, 184F, 184S, 194F, 194S, 334V, 354F, 354S, 354V</b> (>30/06/1994) <b>364F, 364S, 364V</b> (>30/06/1994), <b>374FH</b> (>30/09/1993) <b>374S</b> (>30/09/1993), <b>374V</b> (>30/09/1993) <b>384F</b> (>08/1994), <b>384S</b> (>30/09/1993) <b>394FH</b> (>08/1994), <b>394F, 394S</b> (>30/09/1993)	

	<b>S.42264</b> Brake Master Cylinder 1698670M91
	Seal Kit: <b>S.42317</b> 1810596M91
<b>235, 245, 250, 255, 260, 265</b> (>193552), <b>275</b> (221522), <b>290</b> (>387021), <b>298, 560</b>	

	<b>S.43490</b> Brake Master Cylinder 3384685M3
22.2mm 0.875" bore	Seal Kit: <b>S.42031</b> 1810832M91

**3050, 3060, 3065, 3070, 3075, 3080, 3085, 3090, 3095, 3115, 3120, 3125, 3610, 3630, 3635, 3645, 3650, 3655, 3670, 3680, 3690, 5425** (With mechanical trailer brake 1 line), **5435** (With mechanical trailer brake 1 line), **5445** (With mechanical trailer brake 1 line), **5455** (With mechanical trailer brake 1 line), **5460** (With mechanical trailer brake 1 line), **5465** (With mechanical trailer brake 1 line), **6120** (With mechanical trailer brake 1 line), **6130** (With mechanical trailer brake 1 line), **6140** (With mechanical trailer brake 1 line), **6150** (With mechanical trailer brake 1 line), **6160** (With mechanical trailer brake 1 line), **6170** (With mechanical trailer brake 1 line), **6190** (With mechanical trailer brake 1 line), **6235** (With mechanical trailer brake 1 line), **6245** (With mechanical trailer brake 1 line), **6255** (With mechanical trailer brake 1 line), **6260** (With mechanical trailer brake 1 line), **6265** (With mechanical trailer brake 1 line), **6270** (With mechanical trailer brake 1 line), **6280** (With mechanical trailer brake 1 line), **6290** (With mechanical trailer brake 1 line), **6445** (Without trailer brake), **6455** (Without trailer brake), **6460** (Without trailer brake), **6465** (Without trailer brake), **6470** (Without trailer brake), **6475** (Without trailer brake), **6480** (Without trailer brake), **8110** (With mechanical trailer brake 1 line), **8120** (With mechanical trailer brake 1 line), **8130** (With mechanical trailer brake 1 line), **8140** (With mechanical trailer brake 1 line), **8150** (With mechanical trailer brake 1 line), **8160** (With mechanical trailer brake 1 line), **8170, 8180, 8210** (Up to L038021), **8220** (Up to L038021), **8240** (Up to L038021), **8250** (Up to L038021), **8260** (Up to L038021), **8270** (Up to L038021), **8280** (Up to L038021)

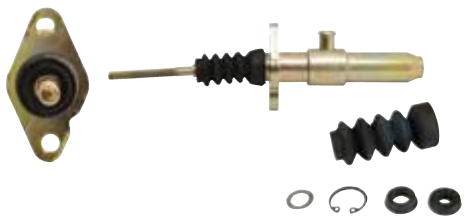
	<b>S.42265</b> Brake Master Cylinder (0.70") 3595504M2
	Seal Kit: <b>S.42319</b> 1810849M91
<b>350</b> (Up to SN-Eng V39466), <b>355</b> (Up to SN-Eng V39466), <b>360</b> (Up to SN-Eng V39466), <b>365</b> (>B18008), <b>375</b> (>B18008), <b>390</b> (>B18008), <b>398</b> (>B18008), <b>399</b> (Up to SN-Eng V39466)	

	<b>S.42266</b> Brake Master Cylinder 1874957M91
	Seal Kit: <b>S.42317</b> 1810596M91
<b>274SK, 294S</b> (for serial numbers 12500250/251, 22522747/748/749,754/755), <b>575, 590, 592, 595, 675</b> (>1984), <b>690</b> (>1984), <b>698</b> (>1984), <b>1014</b> (Up to SN 12900442 / 22903935), <b>1024</b> (Up to SN 13400027 / 23400225), <b>1114</b> (2WD up to 1110576, 4WD up to 2112436), <b>1134</b> (2WD up to 12400049, 4WD 22400366) Combines <b>530, 560, 565, 660, 665, 810, 815, 820, 825, 830, 835</b>	


	<b>S.42267</b> Brake Master Cylinder (0.625") 3596785M92
	Seal Kit: <b>S.42320</b> 1810936M91
<b>340, 342, 350</b> (From SN-Eng V39466), <b>352, 355</b> (From SN-Eng V39466), <b>360</b> (From SN-Eng V39466), <b>362</b> (>B18008, From SN-Eng V39466), <b>365</b> (>B18008, From SN-Eng V39466), <b>375</b> (>B18008, From SN-Eng V39466), <b>390</b> (>B18008, From SN-Eng V39466), <b>390T</b> (>B18008), <b>398</b> (>B18008, From SN-Eng V39466), <b>399</b> (From SN-Eng V39466)	

MF06

MF06


	<b>S.42944</b> Brake Master Cylinder 1682770M91
	Seal Kit: <b>S.73197</b> 1810714M91
<p><b>675</b> (French built models &gt;1984), <b>690</b> (French built models &gt;1984), <b>698</b> (French built models &gt;1984), <b>(698T 1984&gt;)</b>, <b>699</b>, <b>1004</b>, <b>1004T</b></p>	


	<b>S.42269</b> Brake Slave Cylinder (LH/RH) 3186484M91
	Seal Kit: <b>S.42321</b> -
<p><b>255</b>, <b>260</b>, <b>265</b> (After 193552), <b>275</b> (After 221522), <b>290</b> (After 387021), <b>298</b>, <b>560</b>, <b>575</b>, <b>590</b>, <b>592</b>, <b>595</b>, <b>675</b>, <b>690</b>, <b>698</b>, <b>698T</b>, <b>699</b>, <b>1004</b>, <b>1004T</b></p>	

	<b>S.42991</b> Brake Master Cylinder 3614780M91
	Seal Kit: <b>S.42033</b> 1811086M91
<p><b>342</b>, <b>352</b>, <b>362</b> (From SN S08142), <b>362N</b>, <b>365</b> (From SN S08142), <b>372N</b>, <b>375</b> (From SN S08142), <b>382N</b>, <b>390</b> (From SN S08142), <b>390T</b> (From SN S08142), <b>396</b>, <b>398</b> (From SN S08142), <b>399</b></p>	

	<b>S.42270</b> 3477380M93
	Seal Kit: <b>S.41498</b> 1810917M94
	<b>S.42324</b> 1810917M94  <b>S.42177</b> 1810992M91
<p><b>340</b>, <b>342</b>, <b>350</b>, <b>352</b>, <b>355</b>, <b>360</b>, <b>362</b>, <b>362N</b>, <b>365</b> (After B18009), <b>372N</b>, <b>375</b> (After B18009), <b>382N</b>, <b>390</b> (After B18009), <b>390T</b> (After B18009), <b>396</b>, <b>398</b> (After B18009), <b>399</b></p>	


	<b>S.73037</b> Brake Master Cylinder 1471975M92
	Seal Kit: <b>S.41808</b> 1810748M91
<p><b>50HX</b></p>	

	<b>S.42271</b> Brake Slave Cylinder (RH) 3477381M93
	Seal Kit: <b>S.41498</b> 1810917M94
	<b>S.42324</b> 1810917M91  <b>S.42178</b> 1810993M91
<p><b>340</b>, <b>342</b>, <b>350</b>, <b>352</b>, <b>355</b>, <b>360</b>, <b>362</b>, <b>362N</b>, <b>365</b> (After B18009), <b>372N</b>, <b>375</b> (After B18009), <b>382N</b>, <b>390</b> (After B18009), <b>390T</b> (After B18009), <b>396</b>, <b>398</b> (After B18009), <b>399</b></p>	

	<b>S.39886</b> Brake Slave Cylinder 3302605M91
	Seal Kit: N/A
<p><b>134V</b>, <b>154F</b>, <b>154S</b>, <b>154V</b>, <b>164TF</b>, <b>164TS</b>, <b>164TV</b>, <b>174F</b>, <b>174S</b>, <b>174V</b>, <b>184F</b>, <b>184S</b>, <b>194F</b>, <b>194S</b>, <b>254S</b>, <b>264TS</b>, <b>274S</b> (From SN-Eng 121Q00155/221Q00236), <b>274SK</b>, <b>294S</b>, <b>334V</b>, <b>354F</b>, <b>354S</b>, <b>354V</b> (&gt;30/06/1994), <b>364F</b>, <b>364S</b>, <b>364V</b> (&gt;30/06/1994), <b>374FH</b> (&gt;30/09/1993), <b>374S</b> (&gt;30/09/1993), <b>374V</b> (&gt;30/1993), <b>377</b>, <b>384F</b> (&gt;08/1994), <b>384S</b> (&gt;30/09/1993), <b>387</b>, <b>394F</b> (&gt;08/1994), <b>394H</b>, <b>394S</b> (&gt;30/09/1993), <b>397</b>, <b>397T</b>, <b>1007</b></p>	

	<b>S.42272</b> Clutch Master Cylinder 3388831M4
	Seal Kit: <b>S.42318</b> 3900222M91
<p><b>3050</b> (Up to C340005), <b>3060</b> (Up to C340005), <b>3065</b> (Up to C340005), <b>3075</b>, <b>3085</b> (Up to C280041), <b>3095</b> (Up to C280041), <b>3120</b> (Up to D006032), <b>3125</b> (Up to D006032)</p>	

	<b>S.42268</b> Brake Slave Cylinder Kit (LH) 3186482M91
	Seal Kit: <b>S.42322</b> 835939M91
<p><b>235</b>, <b>245</b>, <b>255</b> (Up to SN/Eng 01/80), <b>260</b>, <b>290</b>, <b>560</b> (Up to SN/Eng A310), <b>575</b> (Up to SN/Eng J121), <b>590</b>, <b>592</b> (Up to SN/Eng A277031), <b>595</b>, <b>595 MKII</b> (Up to SN/Eng A278034)</p>	

	<b>S.102714</b> (Compatible with mineral oil) 3901455M91
	Seal Kit: <b>S.41498</b> 1810917M94
	<b>S.42324</b> 1810917M91
<p><b>4215</b>, <b>4220</b>, <b>4225</b>, <b>4235</b>, <b>4240</b>, <b>4245</b>, <b>4255</b>, <b>4265</b>, <b>4260</b>, <b>4270</b>, <b>4315</b>, <b>4320</b>, <b>4325</b>, <b>4335</b>, <b>4345</b>, <b>4355</b>, <b>4360</b>, <b>4370</b>, <b>5335</b>, <b>5340</b>, <b>5355</b>, <b>5360</b>, <b>5365</b></p>	




**S.102604**  
Brake Master Cylinder  
3383079M6

Seal Kit: **S.42032**  
1810833M91

**Mineral Oil**

**3050, 3060, 3065, 3070, 3075, 3080, 3085, 3090, 3095, 3115, 3120, 3125, 3610, 3630, 3635, 3645, 3650, 3655, 3670, 3680, 3690, 5425** (With mechanical trailer brake 2 line), **5435** (With mechanical trailer brake 2 line), **5445** (With mechanical trailer brake 2 line), **5455** (With mechanical trailer brake 2 line), **5460** (With mechanical trailer brake 2 line), **5465** (With mechanical trailer brake 2 line), **6120** (With mechanical trailer brake 2 line), **6130** (With mechanical trailer brake 2 line), **6140** (With mechanical trailer brake 2 line), **6150** (With mechanical trailer brake 2 line), **6160** (With mechanical trailer brake 2 line), **6170** (With mechanical trailer brake 2 line), **6190** (With mechanical trailer brake 2 line), **6235** (With mechanical trailer brake 2 line), **6245** (With mechanical trailer brake 2 line), **6255** (With mechanical trailer brake 2 line), **6260** (With mechanical trailer brake 2 line), **6265** (With mechanical trailer brake 2 line), **6270** (With mechanical trailer brake 2 line), **6280** (With mechanical trailer brake 2 line), **6290** (With mechanical trailer brake 2 line), **6445** (With mechanical brake), **6455** (With mechanical brake), **6460** (With mechanical brake), **6465** (Without trailer brake), **6470** (With mechanical brake), **6475** (With mechanical brake), **6480** (With mechanical brake), **8110** (With mechanical trailer brake 2 line), **8120** (With mechanical trailer brake 2 line), **8130** (With mechanical trailer brake 1 line), **8140** (With mechanical trailer brake 1 line), **8150** (With mechanical trailer brake 1 line), **8160** (With mechanical trailer brake 1 line), **8170, 8180, 8210** (Up to L038021), **8220** (Up to L038021), **8240** (Up to L038021), **8250** (Up to L038021), **8260** (Up to L038021), **8270** (Up to L038021), **8280** (Up to L038021)



**S.102715**  
(Compatible with mineral oil)  
3901456M91

Seal Kit: **S.41498**  
1810917M94

**Mineral Oil**

**4215, 4220, 4225, 4235, 4240, 4245, 4255, 4265, 4260, 4270, 4315, 4320, 4325, 4335, 4345, 4355, 4360, 4370, 5335, 5340, 5355, 5360, 5365**



**S.102633**  
Brake Master Cylinder  
D26734707

Seal Kit: **S.102700**  
D49030059

**7242** Combine

**MF06**



Item	Description	OEM Ref.	Applications
1	<b>S.42193</b> Brake Fluid Reservoir	1696930M4	<b>(340, 342, 350, 352, 355, 360, 362, 362N, 365, 372N, 375, 382N, 390, 390T, 396, 398, 399</b> 2WD tractors only)
2	<b>S.43486</b> Seal Kit (Slave Cylinder)	1810881M91	<b>(350, 355, 360, 365, 375, 390, 398)</b> >V39466 with Concentric Brakes)
3	<b>S.102645</b> Cylinder Repair Grease Red/Vegetable Suitable for the repair and seal installation for vegetable fluid Master & Slave Cylinders	-	-
4	<b>S.102646</b> Cylinder Repair Grease Green/Mineral Suitable for the repair and seal installation for Mineral fluid Master & Slave Cylinders	-	-