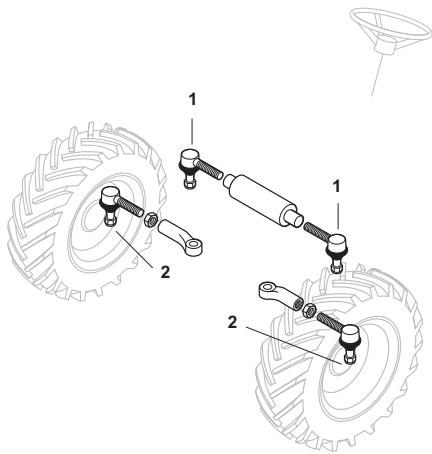
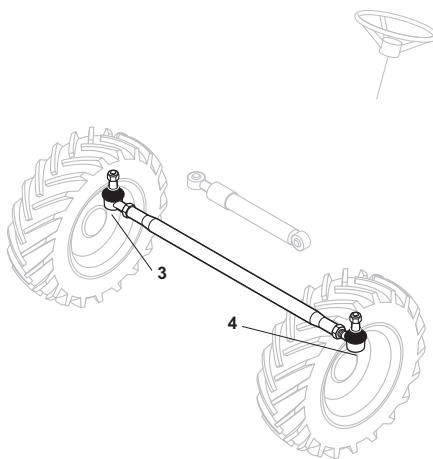


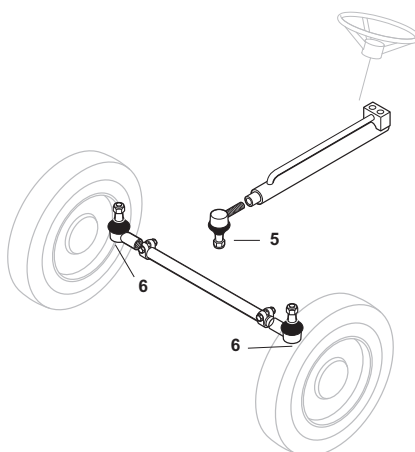
Tie Rods



Models	1	2
1190, 1194, 1210, 1212, 1290, 1294, 1390, 1394, 1410, 1412, 1490, 1690 (Hydrostatic Steering - Transverse Cylinder) (David Brown Axle)	S.63320 K207721	S.71260 K908071
1494, 1594 (Hydrostatic Steering - Transverse Cylinder) (David Brown Axle)		S.71262 K207722



Models	3	4
1290, 1390, 1490 (Carraro Four Wheel Drive Axle)	S.63209 K965269	S.63208 K965270
1494, 1594, 1690 (Carraro Four Wheel Drive Axle)	S.63207 K260254	S.63233 K260250



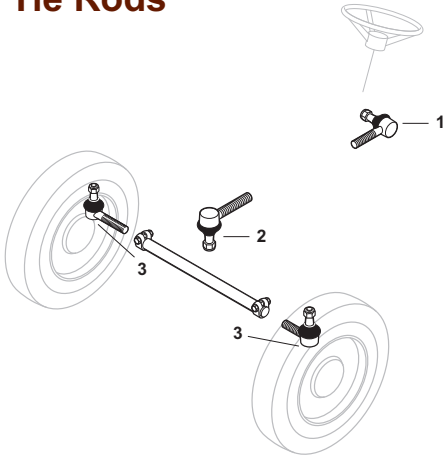
Models	5	6
1190, 1194, 1290 (Hydrostatic Steering - Side Mounted Cylinder)	S.63320 K207721	S.71261 K929057
1390, 1490 (Hydrostatic Steering - Side Mounted Cylinder)	S.63320 K207721	

Please see Index for alternative O.E. part numbers.

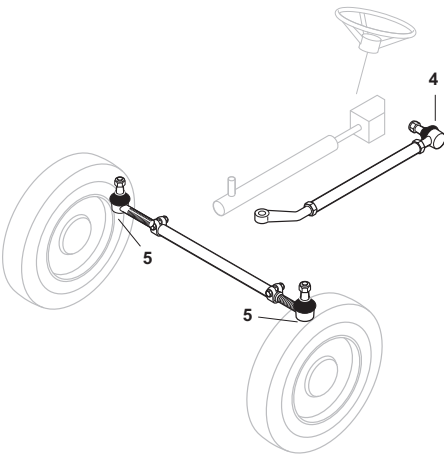
These parts are Sparex parts and are not manufactured by the Original Equipment Manufacturer.
Original Equipment Manufacturer names, part numbers and descriptions are quoted for reference purposes only.

Sparex Replacement David Brown Parts

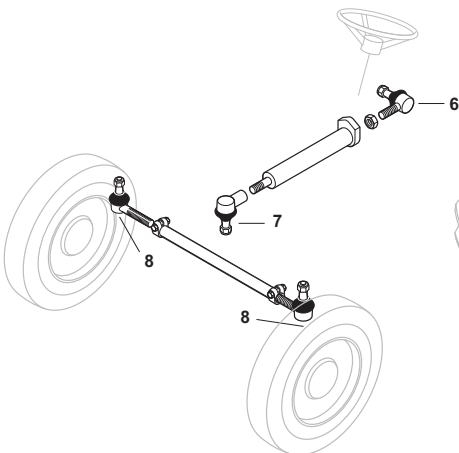
Tie Rods



Models	1	2	3
770, 780, 850, 880, 885, 950, (990, 995, 996>SN.11075111) (Manual Steering)	S.71260 K908071	S.71260 K908071	S.71260 K908071
(990, 995, 996 SN.11075112>), 1200 (Manual Steering)	S.71262 K207722	S.71262 K207722	S.71260 K908071



Models	4	5
770, 780, 880, 885, 950 (Power Assisted Steering)	S.71260 K908071	S.71260 K908071
1200 (Power Assisted Steering)	S.71262 K207722	S.71260 K908071

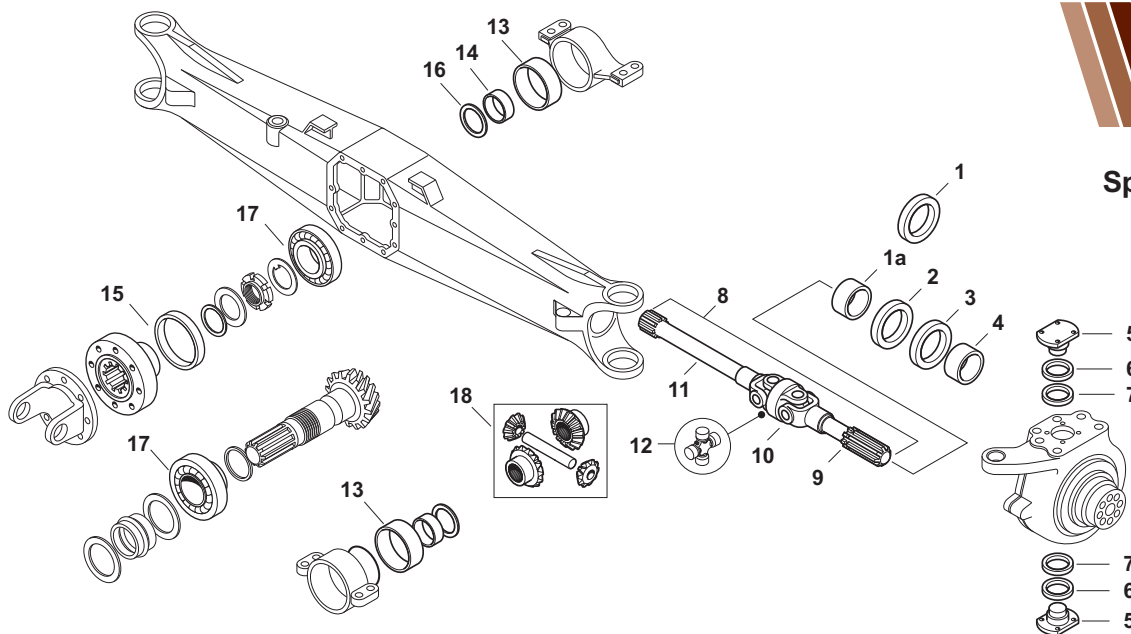


Models	6	7	8
885, 990, 995, 996 1210, 1212 (Hydrostatic Steering - Side Mounted Cylinder)	S.63320 K207721	S.71261 K929057	S.71260 K908071

Please see Index for alternative O.E. part numbers.

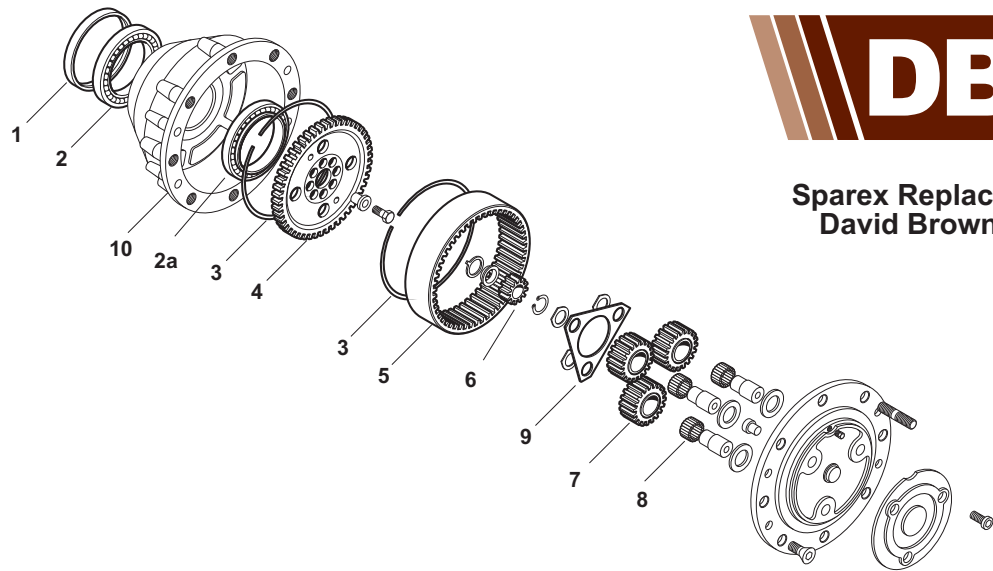
These parts are Sparex parts and are not manufactured by the Original Equipment Manufacturer. Original Equipment Manufacturer names, part numbers and descriptions are quoted for reference purposes only.

Front Axle Components - 4 WD



SPAREX No.	DESCRIPTION	EQUIVALENT	TRACTOR MODEL
1	S.50328 Seal - Half Shaft - Inner	K965335	990, 995, 996, 1290, 1390, (1394 >11503000), 1490, (1494 >11518000), (1594 >11221500), 1690, 1690 Turbo, 1694
1a	S.07762 Bushing - Half Shaft - Inner	K395019	(1394 11503001>), (1494 11518001>), (1594 11221501>)
2	S.57983 Gasket - Inner (Not Pictured)	K965337	990, 995, 996, 1290, 1390, (1394 >11503000), 1490, 1690, 1690 Turbo
2	S.57982 Sleeve - Inner	N8892	(1494 >11518000 - >Axle DB14/1440), (1594 >11221500)
3	S.57984 Seal - Half Shaft - Inner	1966164C1	(1394 11503001>), (1494 11518001>), (1594 11221501>)
3	S.50320 Seal - Half Shaft - Outer	K956891	990, 995, 996, 1290, 1390, 1490, 1690, 1690 Turbo, (1694 >Axle DB16/731)
3	S.41755 Seal - Half Shaft - Outer	N8897	(1394 >11503000), (1494 >11518000 - Axle DB14/1440>), (1594 >11221500), (1694 Axle DB16/731>), (1894 17895962>), (2096 17898102>)
3	S.42226 Seal - Half Shaft - Outer	K262143	1294, (1394 11503001>), (1494 11518001>), (1594 11221501>)
4	S.07764 Bushing - Half Shaft - Outer	1967535C1	(1394 11503001>), (1494 11518001>), (1594 11221501>)
5	S.07719 King Pin	K395035	(1394 11503001>), (1494 11518001>), (1594 11221501>)
6	S.07760 Seal	K395039	(1394 11503001>), (1494 11518001>), (1594 11221501>)
7	S.07726 Bearing	14373	(1394 11503001>), (1494 11518001>), (1594 11221501>)
8	S.07718 Drive Shaft Assembly	K395088	(1394 11503001>), (1494 11518001>), (1594 11221501>)
9	S.07715 Drive Shaft - Outer	N13510	(1394 11503001>), (1494 11518001>), (1594 11221501>)
10	S.07716 Double Yoke	K262199	(1394 11503001>), (1494 11518001>), (1594 11221501>)
11	S.07717 Drive Shaft - Inner	K262198	(1394 11503001>), (1494 11518001>), (1594 11221501>)
12	S.06459 Universal Joint (82 x27mm)	K965331	990, 995, 996, 1290, 1390, (1394 >11503000), 1490, (1494 >11518000)
12	S.65845 Universal Joint (74.5 x27mm)	K262161	1294, (1394 11503001>), (1494 11518001>), (1594 11221501>)
13	S.07721 Bushing - Differential Housing	K965265	990, 995, 996, 1290, 1294, 1390, 1394, 1490, 1494, 1594, 1690, 1694
14	S.07720 Bushing - Differential Housing	K965266	990, 995, 996, 1290, 1294, 1390, 1394, 1490, 1494, 1594, 1690, 1694
15	S.42226 Seal - Differential Housing	K262143	1294, (1394 11503001>), (1494 11518001>), (1594 11221501>)
16	S.07722 Washer - Differential Housing	K395022	1394, 1494, 1594
17	S.07758 Bearing - Pinion	K395090	(1394 11503001>), (1494 11518001>), (1594 11221501>)
18	S.07731 Pinion Kit - Contains: S.07728 x 2, S.07729 x 2, S.07730 x 2, S.07731 x 2		1294, (1394 11503001>), (1494 11518001>), (1594 11221501>)

Axle Components 4 WD

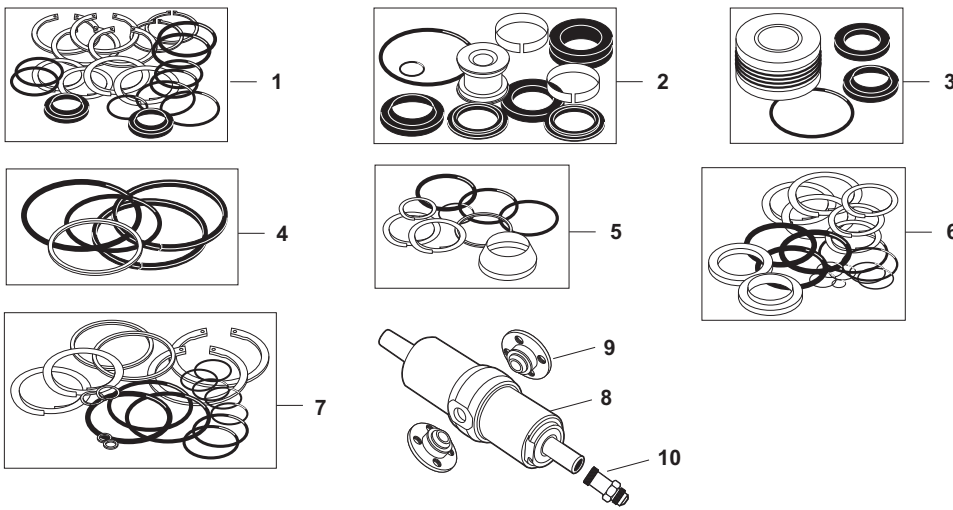


SPAREX No.	DESCRIPTION	EQUIVALENT	TRACTOR MODEL	
1	S.57954	Seal - Hub (Primary)	K965323	990, 995, 996, 1290, 1390, (1394 >11503000 - Axle >DB13V349), 1490, (1494 >11518000 - Axle >DB14/1440), 2094, 2290
1	S.57955	Seal - Hub (Secondary)	K965324	990, 995, 996, 1290, 1390, (1394 >11503000 - Axle >DB13V349), 1490, (1494 >11518000 - Axle >DB14/1440), 2094, 2290
1	S.66320	Seal - Hub	247877A1	(1394 11503001>), (1494 11518001>), (1594 >11221500)
1	S.57953	Seal - Hub	N8898	(1394 >11503000 - Axle DB13V349>), (1494 >11518000 - Axle DB14/1440>), 2094, 3294
2	S.57941	Bearing - Inner	K965321	990, 995, 996, 1290, 1390, (1394 >11503000), 1490, (1494 >11518000)
2a	S.65950	Bearing - Inner/Outer	K395101	(1494 11518001>), (1594 11221501>), (1896 17895962>), (2096 17898102>)
2a	S.18101	Bearing - Outer	K965319	990, 995, 996, 1290, 1390, (1394 >11503000), 1490, (1494 >11518000)
3	S.07755	Lock Ring	H437679	(1394 11503001>), (1494 11518001>), (1594 112215017>)
4	S.07713	Carrier Unit	H437678	(1394 11503001>), (1494 11518001>), (1594 112215017>)
5	S.07734	Ring Gear	H437677	(1394 11503001>), (1494 11518001>), (1594 112215017>)
6	S.07711	Gear	K395114	(1394 11503001>), (1494 11518001>), (1594 112215017>)
7	S.07733	Gear - Planetary	K395110	(1394 11503001>), (1494 11518001>), (1594 112215017>)
8	S.07750	Bearing Kit (180 pcs)		Fits with S.07733 Planetary Gear
9	S.07714	Washer	K395122	(1394 11503001>), (1494 11518001>), (1594 112215017>)
10	S.57956	Gasket - Hub	K965304	990, 995, 996, 1290, 1390, (1394 >11503000 - Axle >DB13V349), 1490, (1494 >11518000 - Axle >DB14/1440), (1394 >11503000)

Revised 1/2006
Please see Index for alternative O.E. part numbers.

These parts are Sparex parts and are not manufactured by the Original Equipment Manufacturer.
Original Equipment Manufacturer names, part numbers and descriptions are quoted for reference purposes only.

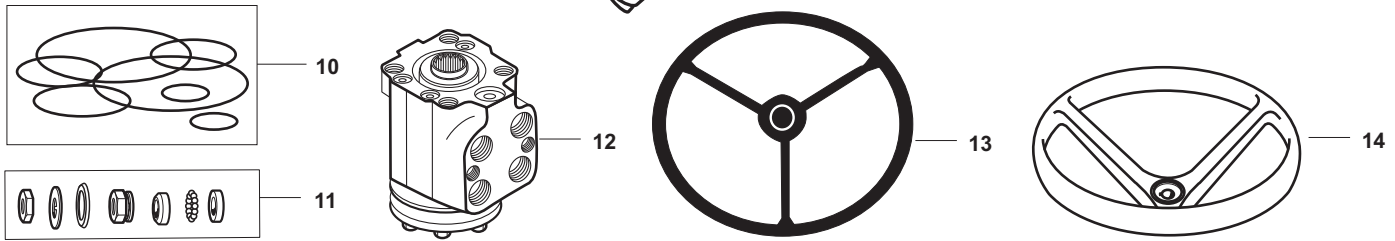




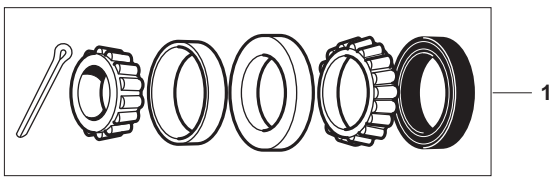
SPAREX No.	DESCRIPTION	EQUIVALENT	TRACTOR MODEL
1	S.57949 Seal Kit - Steering Cylinder (for David Brown Axle - 4WD)	K965840	990Q, 996Q, 1290, 1390, 1490
2	S.57946 Seal Kit - Steering Cylinder (for Carraro Axle - M12)	A48169 Car 43439	1290, 1294, 1390, (1394 >11503000), 1490, (1494 >11518000), (1594 >11221500), 1694, 2090, 2290, 2294, 3294
3	S.57947 Seal Kit - Steering Cylinder (for Carraro Axle - M16)	K262248 Car 43416	1294, (1394 >11503000), (1494 >11518000), (1594 >11221500), 1694
4	S.57948 Seal Kit - Steering Cylinder (for Carraro Axle - 4WD)	K262193	(1394 11503001>), (1494 11518001>), (1594 11221501>)
5	S.57951 Seal Kit - Side Mounted Steering Cylinder	K962555	(885, 990, 995, 996, 1200, 1210, 1212 w/ Hydrostatic Steering)
6	S.57950 Seal Kit - Side Mounted Steering Cylinder	K261926	1190, 1194, 1290, 1294, 1390, 1394, 1490
7	S.57952 Seal Kit - Transverse Steering Cylinder	K964943	1210, 1212, 1410, 1412, 1490, 1690
8	S.74577 Power Steering Cylinder - less Pegs	K207771 K948609	1210, 1212 (SN 1150001>), 1410, 1412, (1494, 1594 2 WD less Cab), 1690
9	S.17794 Ball Peg	K948604	1210, 1212 (SN 1150001>), 1410, 1412, (1494, 1594 2 WD less Cab), 1690
10	S.74709 Hydraulic Fitting	K626095	1494, 1594

Sparex Replacement David Brown Parts

Front Axle and Power Steering Components

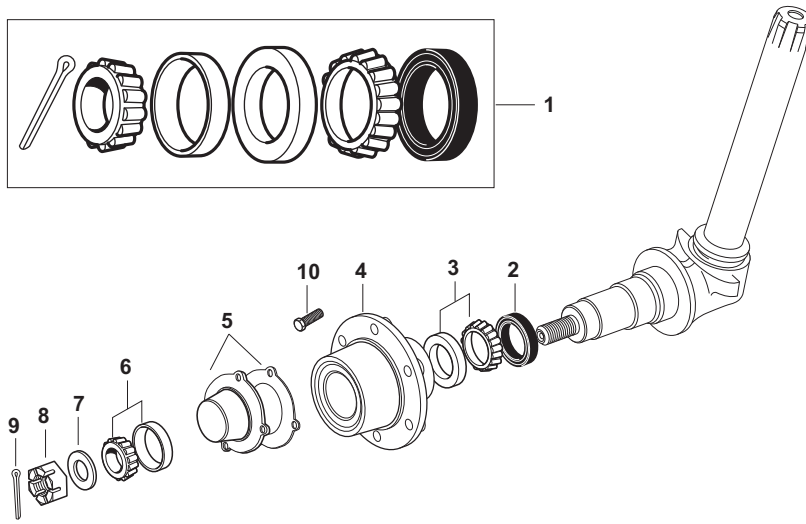


SPAREX No.	DESCRIPTION	EQUIVALENT	TRACTOR MODEL
1	S.40286 Wheel Rim (450 x 16) (Tire = 600 x 16)	K947937	770, 780, 880, 885, 990, 995, 996, 1190 1194, 1200, 1210, 1212
1	S.40287 Wheel Rim (550 x16) (Tire = 750 x 16)	G57046	880, 885, 990, 995, 996, 1190, 1194, 1200, 1210, 1212, 1410, 1412 1290, 1294, 1390, 1394, 1490, 1494, 1594, 1690, 1694
1	S.40288 Wheel Rim (550 x 18) (Tire = 750 x 18)	K301046	1410, 1412, 1290, 1294, 1390 1394, 1490, 1494, 1594, 1690, 1694
2	S.60716 Pump - Power Steering	K957318	1290, 1390, 1490
3	S.60719 Pump - Power Steering	K948432	Selectamatic 990, 1200
4	S.03768 Outer Seal - Steering Pump (.688" x 1.125" x .313")		Selectamatic 990, 995, 996, 1210, 1212, 1290, 1294, 1390, 1394, 1410, 1412, 1490, 1494, 1594, 1690, 1690 Turbo, 1694
5	S.65698 Filter - Power Steering Pump	K964954	Synchromatic 990(862038->), 995(930275->), 996(984572->), 1190, 1194, 1210(725856->), 1212(1002823->), 1290, 1294, 1390, 1394, 1410, 1412, 1490, 1494, 1594, 1690, 1694
6	S.74150 Steering Shaft Manual Steering (23 1/2")	K906765	770, 780, 885, Implematic 990
6	S.57582 Steering Shaft Manual Steering (24 1/2")	K912411	Selectamtic 880(530001>), Implematic 880(Live Drive), 880, 990, 995, 996
7	S.57834 Belt - Power Steering	K913631	Selectamatic 770, 780, 880 Synchromatic 885
8	S.43118 Cover - Steering Column	K923681	885, 990, 995, 996, 1200, 1210, 1212, 1410, 1412
9	S.40291 Washer - Steering Wheel	K626671	885, 990, 995, 996, 1210, 1212
10	S.11119 Seal Kit - Power Steering Pump	K964935	Selectamatic 990, 995, 996, 1200, 1210, 1212, 1290, 1294, 1390, 1394, 1410, 1412, 1490, 1494, 1594, 1690, 1690 Turbo, 1694
11	S.40293 Steering Column Repair Kit - Upper	K626671	885, 990, 995, 996, 1210, 1212
12	S.56851 Hydrostatic Steering Motor	K207419	1194, 1294, 1394, 1494
13	S.63402 Steering Wheel		Cropmaster 25, 30, 31
14	S.41486 Steering Wheel - Keyed	K83746	885, 990, 995, 996, 1210, 1212



Sparex Replacement
David Brown Parts

Steering, Front Axle Components



SPAREX No.	DESCRIPTION	EQUIVALENT	TRACTOR MODEL
1	S.57578 Bearing Kit - Front Hub		770, 780
1	S.11159 Bearing Kit - Front Hub (Early Parallel Spindles)	K962985	880, 885, 950, 990, 995, 996, 1190, 1290, 1390 1194(->11480679), 1294(->11491145), 1394(->11504411)
1	S.57579 Bearing Kit - Front Hub (Heavy Duty Axle)	K962986	880, 990, 995, 996, 1200, 1210, 1212, 1410, 1412 1490, 1494, 1594, 1690, 1694
1	S.17618 Bearing Kit - Front Hub	K262214	1194(11480680->), 1294(11491146->), 1394(11504412->)
2	S.11157 Seal - Front Wheel Hub	K623450	770, 780, 880, 885, 990, 995, 996, 1190, 1194, 1290 1294, 1390, 1394
2	S.57581 Seal - Front Wheel Hub (Heavy Duty Axle)	K623419	880, 990, 995, 996, 1200, 1210, 1212, 1410, 1412 1490, 1494, 1594, 1690, 1694
3	S.02972 Bearing - Inner Wheel	651817R1 651818R91	770, 780
3	S.02971 Bearing - Inner/Outer (Early Parallel Spindles)	618023R91 618024R1	880, 885, 950, 990, 995, 996, 1190, 1194, 1200, 1210 1212, 1290, 1294, 1390, 1394, 1490, 1494
3	S.18507 Bearing - Inner (Heavy Duty Axle)	B17220 ST2118	880, 990, 995, 996, 1200, 1210, 1212, 1410, 1412, 1490 1494, 1594, 1690, 1694
3	S.17614 Bearing - Inner	478793R1 160558C91	1194(11480680->), 1294(11491146->), 1394(11504412->)
4	S.57473 Hub w/ Cap	K910176	885, 990, 995, (996 Standard Duty), 1190, 1290, 1390, 1194, 1294, 1394
5	S.07862 Hub Cap w/ Gasket	K908913 K15344	885, 990, 995, (996 Standard Duty), 1190, 1290, 1390, 1194, 1294, 1394
6	S.02975 Bearing - Outer	651814R1 651815R91	770, 780
6	S.57580 Bearing - Outer (Heavy Duty Axle)	K19085	880, 990, 995, 996, 1200, 1210, 1212, 1410, 1412, 1490 1494, 1594, 1690, 1694
7	S.17615 Spindle Washer	K626321	880, 885, 990, 995, 996, 1190, 1194, 1290, 1294, 1390, 1394
8	S.17552 Spindle Nut	K617157	880, 885, 990, 995, 996, 1190, 1194, 1290, 1294, 1390, 1394
9	S.01501 Cotter Pin (5/32" x 1 1/2")	132-341	880, 885, 990, 995, 996, 1200, 1210, 1212, 1290, 1294, 1390, 1394, 1410, 1412, 1490, 1494, 1590, 1690, 1694, 1690 Turbo
10	S.11234 Stud - Front Wheel Hub (1 1/8" x 1/2" UNC)	K907400	880, 885, 950, 990, 995, 996, 1190, 1290, 1390
10	S.14610 Stud - Front Wheel Hub	K600875	1200, 1210, 1212, 1410, 1412, 1490, 1494, 1594, 1694

Please see Index for alternative O.E. part numbers.

Revised 1/2006

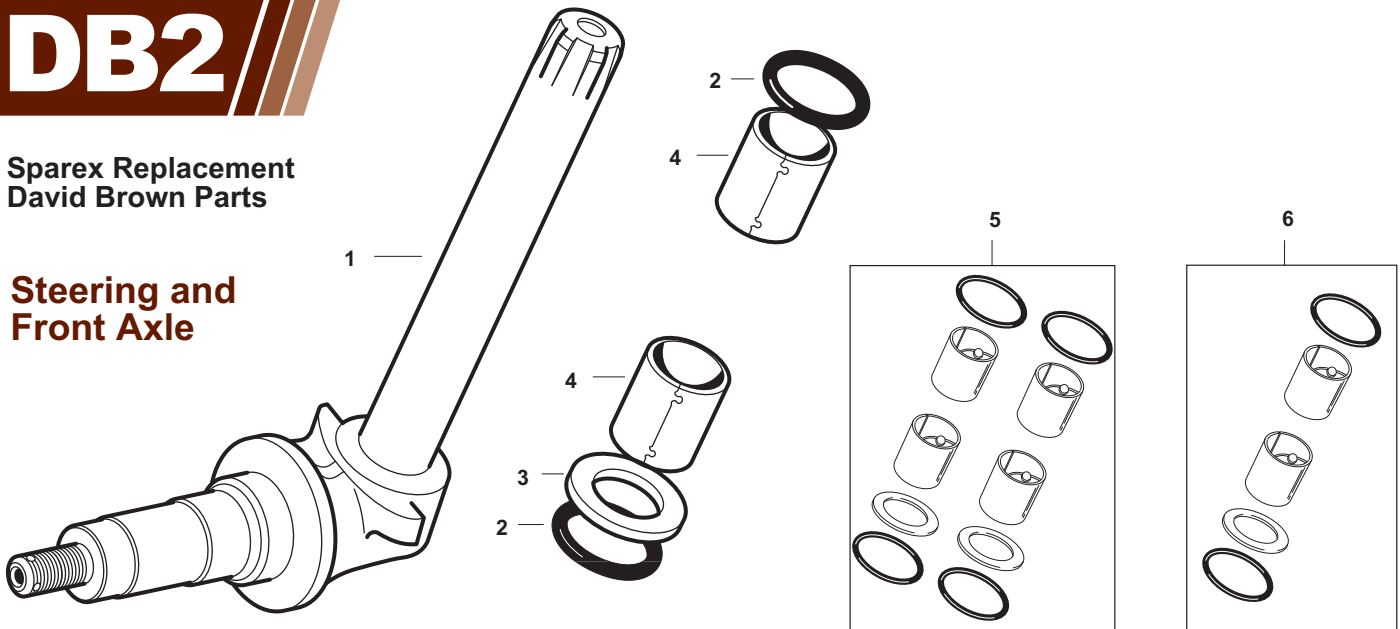
These parts are Sparex parts and are not manufactured by the Original Equipment Manufacturer.

Original Equipment Manufacturer names, part numbers and descriptions are quoted for reference purposes only.

DB2

Sparex Replacement
David Brown Parts

Steering and
Front Axle



SPAREX No.	DESCRIPTION	EQUIVALENT	TRACTOR MODEL
1	S.17549 Axle Spindle (RH & LH) c/w Nut (Standard Clearance) (shaft length=10"- 254mm) Used with S.17614 (K620167) Inner Wheel Bearing	K262209	880, 885, 990, 995, 996, 1290, 1294 (11491146->), 1390, 1394 (11504412->Without Cab) (S.17614 must be ordered with this Wheel Spindle)
1	S.17550 Axle Spindle (RH & LH) c/w Nut (High Clearance) (shaft length = 18 1/8" - 460.3mm)	K262211	880, 885, 990, 995, 996, 1290, 1294 ,(11491146->) 1390, 1394 (11504412->Without Cab)
1	S.17551 Axle Spindle (RH & LH) c/w Nut Orchard Type Axle (shaft length = 7 1/4" - 184mm)	K262207	1190, 1194, 1290, 1294 (11491146->), 1390, 1394 (11504412->)
2	S.14530 'O' Ring - (2" x 1/8")	238 - 5226	880, 885, 990, 995, 996, 1190, 1194, 1290, 1294, 1390, 1394
3	S.17659 Thrust Washer	K33682	880, 885, 990, 995, 996, 1190, 1194, 1290, 1294, 1390, 1394
4	S.17616 Spindle Bush	K11598	880, 885, 990, 995, 996, 1190, 1194, 1290, 1294, 1390, 1394
5	S.17617 Axle Spindle Repair Kit (RH/LH) Kit Includes: 4x S.14530 2x S.17659 4x S.17616		880, 885, 990, 995, 996, 1190, 1194, 1290, 1294, 1390, 1394
6	S.57863 Axle Spindle Repair Kit (Single) Kit Includes: 2x S.14530 1x S.17659 2x S.17616		880, 885, 990, 995, 996, 1190, 1194, 1290, 1294, 1390, 1394



Please see Index for alternative O.E. part numbers.

These parts are Sparex parts and are not manufactured by the Original Equipment Manufacturer. Original Equipment Manufacturer names, part numbers and descriptions are quoted for reference purposes only.