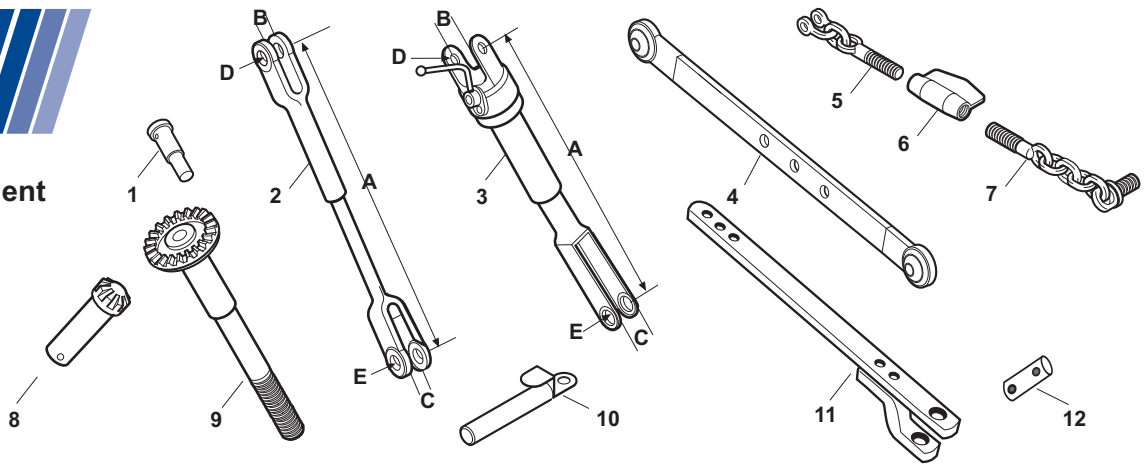


# L9

## Sparex Replacement Parts - Long

## Three Point Linkage



| SPAREX No. | DESCRIPTION   | EQUIVALENT | TRACTOR MODEL   |
|------------|---|------------|---|
| 1          | S.69889 Pin - Lift Arm Attaching  | TX10801    | 350, 360, 445, 445DT, 445SD, 460, 460DT, 460SD, 510, 510DT, 560, 560DT, 560DTE, 610, 610DT, 610DTE  |
| 2          | S.58953 Lift Rod - LH (A=17 1/2 ~ 21 1/4", B=1" ID, C=5/8", D&E=18mm)       |            | Non-Original - Check Dimensions   |
| 2          | S.69893 Lift Rod - LH (A=18 ~ 22", B=1", C=7/8", D=18mm, E=1")              |            | Non-Original - Check Dimensions   |
| 3          | S.60235 Leveling Box (A=17 1/2 ~ 21 1/2", B=1 1/16", C=7/8", D=5/8, E=18mm) |            | Non-Original - Check Dimensions   |
| 3          | S.69897 Leveling Box (A=18 ~ 22", B=1 1/16", C=7/8", D=5/8, E=18mm)         |            | Non-Original - Check Dimensions   |
| 4          | S.62498 Lift Arm - Cat 1-2, (32"c-c, 3/4" Thick, 1" Dia Holes)              | TX11352    | Non-Original - Check Dimensions   |
| 5          | S.62497 Chain & Clevis - Front  | TX12885    | 260C, 310, 310DT, 310C, 320, 350, 360, 360C, 445, 445DT, 445SD, 445V, 460, 460DT, 460SD, 460V, 510, 510DT, 610C, 2310, 2510, 2510DTC, 2510SD, 2510SD-DTC, 2260, 2460, 2460DTC, 2460SD, 2460SD-DTC   |
| 6          | S.62493 Turnbuckle  | TX11396    | 260C, 310, 310DT, 310C, 320, 350, 360, 360C, 445, 445DT, 445SD, 445V, 460, 460DT, 460SD, 460V, 510, 510DT, 610C, 2310, 2510, 2510DTC, 2510SD, 2510SD-DTC, 2260, 2460, 2460DTC, 2460SD, 2460SD-DTC   |
| 7          | S.62494 Chain & Clevis - Rear   | TX12886    | 310, 310DT, 350, 360, 360C, 445, 445DT, 445SD, 460, 460DT, 460SD, 510, 510DT, 560, 560DT, 560DTE, 610, 610DT, 610DTE, 2510, 2510DTC, 2510SD, 2510SD-DTC, 2610, 2610DTC, 2610SD, 2610SD-DTC, 2360, 2360DTC, 2460, 2460DTC, 2460SD, 2460SD-DTC  |
| 8          | S.69898 Gear - Leveling Box   | TX11384    | 260C, 310, 310DT, 310C, 320, 350, 360, 360C, 445, 445DT, 445SD, 445V, 460, 460DT, 460SD, 460V, 550, 550DT, 560, 560DT, 560DTE, 610, 610DT, 610DTE, 610C, 2310, 2510, 2510DTC, 2510SD, 2510SD-DTC, 2610, 2610DTC, 2610SD, 2610SD-DTC, 2260, 2360, 2360DTC, 2460, 2460DTC, 2460SD, 2460SD-DTC |
| 9          | S.69899 Shaft & Gear - Leveling Box   | TX11383    | 260C, 310, 310DT, 310C, 320, 350, 360, 360C, 445, 445DT, 445SD, 445V, 460, 460DT, 460SD, 460V, 550, 550DT, 560, 560DT, 560DTE, 610, 610DT, 610DTE, 610C, 2310, 2510, 2510DTC, 2510SD, 2510SD-DTC, 2610, 2610DTC, 2610SD, 2610SD-DTC, 2260, 2360, 2360DTC, 2460, 2460DTC, 2460SD, 2460SD-DTC |
| 10         | S.59157 Pin - Top Link (3/4" Dia, 3 5/16" Useable)                          | TX14920    | 260C, 310, 310DT, 310C, 320, 350, 360, 360C, 445, 445DT, 445SD, 445V, 460, 460DT, 460SD, 460V, 560, 560DT, 560DTE, 610, 610DT, 610DTE, 610C, 2310, 2510, 2510DTC, 2510SD, 2510SD-DTC, 2610, 2610DTC, 2610SD, 2610SD-DTC, 2260, 2360, 2360DTC, 2460, 2460DTC, 2460SD, 2460SD-DTC             |
| 11         | S.67209 Drawbar   | TX10797    | 260C, 310, 310DT, 310C, 320, 350, 360, 360C, 445, 445DT, 445SD, 445V, 460, 460DT, 460SD, 460V, 510, 510DT, 560, 560DT, 560DTE, 610, 610DT, 610DTE, 610C, 2310, 2510, 2510DTC, 2510SD, 2510SD-DTC, 2610, 2610DTC, 2610SD, 2610SD-DTC, 2260, 2360, 2360DTC, 2460, 2460DTC, 2460SD, 2460SD-DTC |
| 12         | S.67210 Mounting Pin - Drawbar Two 1/4" Holes - Use S.00037 Linch Pins      | TX10777    | 260C, 310, 310DT, 310C, 320, 350, 360, 360C, 445, 445DT, 445SD, 445V, 460, 460DT, 460SD, 460V, 510, 510DT, 560, 560DT, 560DTE, 610, 610DT, 610DTE, 610C, 2310, 2510, 2510DTC, 2510SD, 2510SD-DTC, 2610, 2610DTC, 2610SD, 2610SD-DTC, 2260, 2360, 2360DTC, 2460, 2460DTC, 2460SD, 2460SD-DTC |

Please see Index for alternative O.E. part numbers.

These parts are Sparex parts and are not manufactured by the Original Equipment Manufacturer. Original Equipment Manufacturer names, part numbers and descriptions are quoted for reference purposes only.