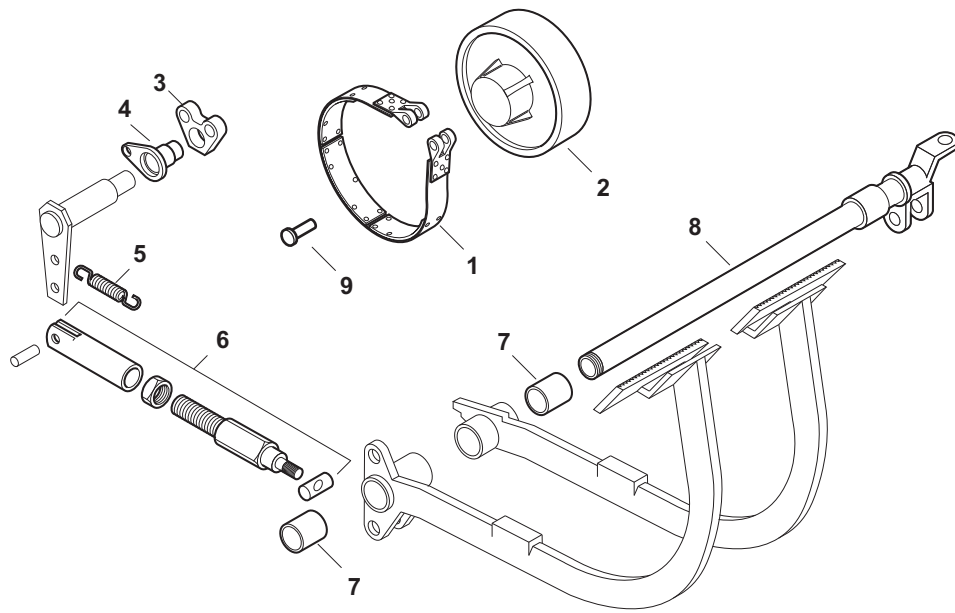


L6

Sparex Replacement Parts - Long

Brakes and Related Components



SPAREX No.	DESCRIPTION	EQUIVALENT	TRACTOR MODEL
1	S.62204 Brake Band (2"/50mm Wide)	TX12850	(260C, 310, 310DT, 310C, 350, 360, 360C, 445, 445DT, 445SD, 445V, 460, 460DT, 460SD, 460V 6 Speed Trans), (460, 460DT, 460SD, 460V, 510, 510DT, 560, 560DT, 560DTE, 610, 610C, 8 Speed Trans w/ Narrow Differential) (Check Dimensions before Ordering)
1	S.62205 Brake Band (2 9/16"/58mm Wide)	TX16901	320, (460, 460DT, 460SD, 460V, 510, 510DT, 560, 560DT, 560DTE, 610, 610C, 8 Speed Trans w/ Wide Differential), 2310, 2510, 2510DTC, 2510, 2510SD-DTC, 2610, 2610DTC, 2610SD, 2610SD-DTC, 2260, 2360, 2360DTC, 2460, 2460DTC, 2460SD, 2460SD-DTC
2	S.62360 Brake Drum	TX10758	260C, 310, 310DT, 310C, 350, 360, 360C, 445, 445DT, 445SD, 445V, 460, 460DT, 460SD, 460V, 550, 550DT, 560, 560DT, 560DTE, 610, 610DT, 610DTE, 610C
3	S.69882 Lever	TX10938	260C, 310, 310DT, 310C, 350, 360, 360C, 445, 445DT, 445SD, 445V, 460, 460DT, 460SD, 460V, 550, 550DT, 560, 560DT, 560DTE, 610, 610DT, 610DTE, 610C, 2310, 2510, 2510DTC, 2510SD, 2510SD-DTC, 2260, 2360, 2360DTC, 2460, 2460DTC, 2460SD, 2460SD-DTC
4	S.69884 Bushing	TX10937	260C, 310, 310DT, 310C, 350, 360, 360C, 445, 445DT, 445SD, 445V, 460, 460DT, 460SD, 460V, 550, 550DT, 560, 560DT, 560DTE, 610, 610DT, 610DTE, 610C
5	S.61983 Spring - Pedal Return	TX10925	260C, 310, 310DT, 310C, 320, 350, 360, 360C, 445, (445DT, 445SD, 445V, 460, 460DT 6 Speed Trans), 460SD, 460V, 510, 550, 550DT, 560, 560DT, 560DTE, 610, 610DT, 610DTE, 610C, 2310, 2510, 2510DTC, 2510SD, 2510SD-DTC, 2610, 2610DTC, 2610SD, 2610SD-DTC, 2260, 2360, 2360DTC, 2460, 2460DTC, 2460SD, 2460SD-DTC
6	S.69881 Brake Adjuster Assembly	TX10932 TX10936	260C, 310, 310DT, 310C, 320, 350, 360, 360C, 445, (445DT, 445SD, 445V, 460, 460DT 6 Speed Trans), 460SD, 460V, 510, 550, 550DT, 560, 560DT, 560DTE, 610, 610DT, 610DTE, 610C, 2310, 2510, 2510DTC, 2510SD, 2510SD-DTC, 2610, 2610DTC, 2610SD, 2610SD-DTC, 2260, 2360, 2360DTC, 2460, 2460DTC, 2460SD, 2460SD-DTC
7	S.62567 Bushing - Brake Pedal	TX10920	260C, 310, 310DT, 310C, 320, 350, 360, 360C, 445, (445DT, 445SD, 445V, 460, 460DT 6 Speed Trans), 460SD, 460V, 510, 550, 550DT, 560, 560DT, 560DTE, 610, 610DT, 610DTE, 610C, 2310, 2510, 2510DTC, 2510SD, 2510SD-DTC, 2610, 2610DTC, 2610SD, 2610SD-DTC, 2260, 2360, 2360DTC, 2460, 2460DTC, 2460SD, 2460SD-DTC
8	S.62569 Shaft - Brake	TX10909	320, 350, 360, 360C, 445, 445SD, 445V, 460, (460DT 8 Speed Trans), 460SD, 460V, 510, 510DT, 550, 550DT, 560, 560DT, 560DTE, 610, 610DT, 610DTE, 610C, 2310, 2510, 2510DTC, 2510SD, 2510SD-DTC, 2610, 2610DTC, 2610SD, 2610SD-DTC, 2260, 2360, 2360DTC, 2460, 2460DTC, 2460SD, 2460SD-DTC
9	S.57492 Pin - Brake Band	TX10939	260C, 310, 310DT, 310C, 350, 360, 360C, 445, 445DT, 445SD, 445V, 460, 460DT, 460SD, 460V, 510, 510DT, 550, 550DT, 560, 560DT, 560DTE, 610, 610DT, 610DTE, 610C, 2310, 2510, 2510DTC, 2510SD, 2510SD-DTC, 2610, 2610DTC, 2610SD, 2610SD-DTC, 2260, 2360, 2360DTC, 2460, 2460DTC, 2460SD, 2460SD-DTC

Please see Index for alternative O.E. part numbers.

These parts are Sparex parts and are not manufactured by the Original Equipment Manufacturer. Original Equipment Manufacturer names, part numbers and descriptions are quoted for reference purposes only.

