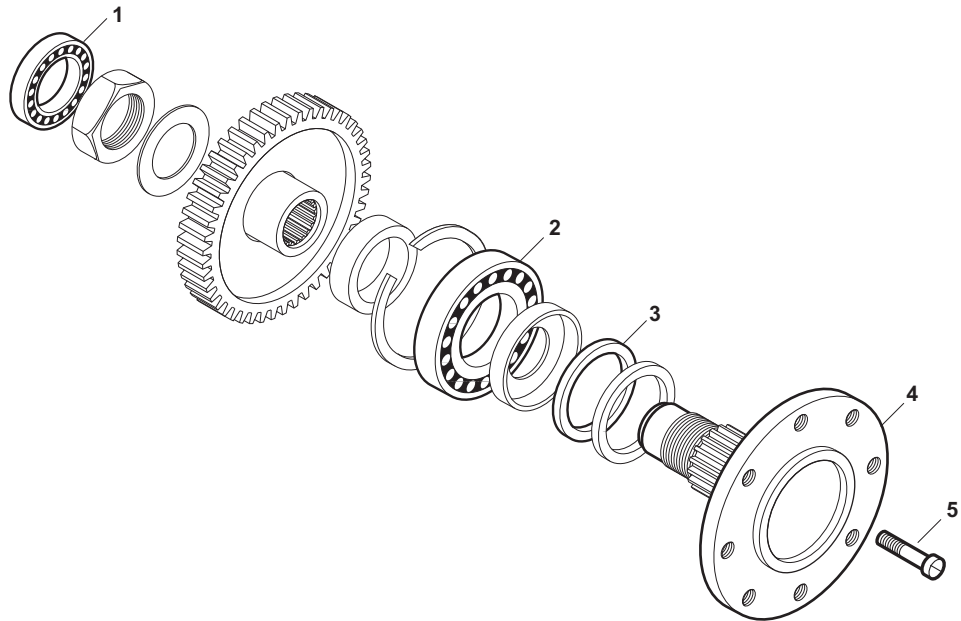


## Sparex Replacement Parts - Long

### Rear Axle and Related Components



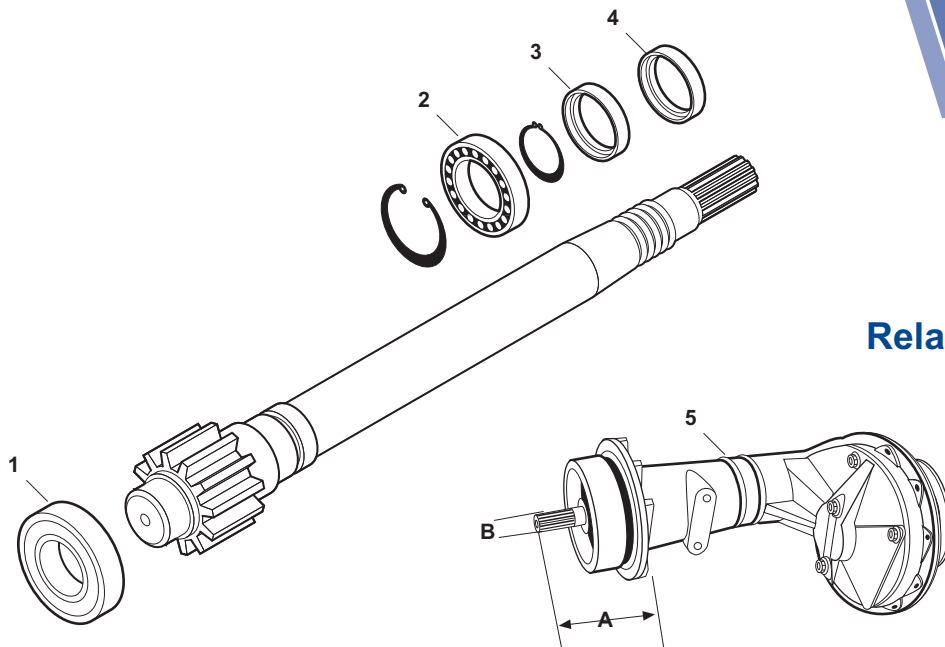
SPAREX No.	DESCRIPTION	EQUIVALENT	TRACTOR MODEL
1	<b>S.18109</b> Bearing (#6309) (100 x 45 x 25mm)	TX50392 TX50635 TX51911	260C, 310, 310DT, 310C, 320, 350, 360, 360C, 445, 445DT, 445SD, 445V, 460, 460DT, 460SD, 460V, 510, 510DT, 550, 550DT, 560, 560DT, 560DTE, 610, 610DT, 610DTE, 610C, 2310, 2510, 2510DTC, 2510SD, 2510SD-DTC, 2610, 2610DTC, 2610SD, 2610SD-DTC, 2260, 2360, 2360DTC, 2460, 2460DTC, 2460SD, 2460SD-DTC
2	<b>S.18113</b> Bearing (#6313) (65 x 140 x 3mm)	TX50393	260C, 310, 310DT, 310C, 320, 350, 360, 360C, 445, 445DT, 445SD, 445V, 460, 460DT, 460SD, 460V, 510, 510DT, 550, 550DT, 560, 560DT, 560DTE, 610, 610DT, 610DTE, 610C, 2310, 2510, 2510DTC, 2510SD, 2510SD-DTC, 2610, 2610DTC, 2610SD, 2610SD-DTC, 2260, 2360, 2360DTC, 2460, 2460DTC, 2460SD, 2460SD-DTC
3	<b>S.62312</b> Seal (110 x 80 x 12mm)	TX50264	260C, 310, 310DT, 310C, 320, 350, 360, 360C, 445, 445DT, 445SD, 445V, 460, 460DT, 460SD, 460V, 510, 510DT, 550, 550DT, 560, 560DT, 560DTE, 610, 610DT, 610DTE, 610C, 2310, 2510, 2510DTC, 2510SD, 2510SD-DTC, 2610, 2610DTC, 2610SD, 2610SD-DTC, 2260, 2360, 2360DTC, 2460, 2460DTC, 2460SD, 2460SD-DTC
4	<b>S.59150</b> Axle	TX10752	310DT, 320, 360, 460DT, 460SD, 510, 510DT, 560, 610, 610DT, 2310, 2510, 2510DTC, 2510SD, 2510SD-DTC, 2610, 2610DTC, 2610SD, 2610SD-DTC, 2360, 2360DTC, 2460, 2460DTC, 2460SD, 2460SD-DTC
5	<b>S.62298</b> Bolt (16 x 1.5mm)	TX10863	260C, 310, 310DT, 310C, 320, 350, 360, 360C, 445, 445DT, 445SD, 445V, 460, 460DT, 460SD, 460V, 510, 510DT, 550, 550DT, 560, 560DT, 560DTE, 610, 610DT, 610DTE, 610C, 2310, 2510, 2510DTC, 2510SD, 2510SD-DTC, 2610, 2610DTC, 2610SD, 2610SD-DTC, 2260, 2360, 2360DTC, 2460, 2460DTC, 2460SD, 2460SD-DTC

Please see Index for alternative O.E. part numbers.

These parts are Sparex parts and are not manufactured by the Original Equipment Manufacturer. Original Equipment Manufacturer names, part numbers and descriptions are quoted for reference purposes only.

## Sparex Replacement Parts - Long

### Rear Axle and Related Components



SPAREX No.	DESCRIPTION	EQUIVALENT	TRACTOR MODEL
1	<b>S.58982</b> Bearing (35 x 80 x 21mm)	TX50398 TX51913	260C, 310, 310C, 320, 350, 360, 360C, 445, 445DT, 445SD, 445V, 460, 460DT, 460SD, 460V, 610C, 2310, 2510, 2510DTC, 2510SD, 2510SD-DTC, 2260, 2360, 2360DTC, 2460, 2460DTC, 2460SD, 2460SD-DTC
2	<b>S.18109</b> Bearing (#6309) (100 x 45 x 25mm)	TX50392	260C, 310, 310DT, 310C, 320, 350, 360, 360C, 445, 445DT, 445SD, 445V, 460, 460DT, 460SD, 460V, 510, 510DT, 550, 550DT, 560, 560DT, 560DTE, 610, 610DT, 610DTE, 610C, 2310, 2510, 2510DTC, 2510SD, 2510SD-DTC, 2610, 2610DTC, 2610SD, 2610SD-DTC, 2260, 2360, 2360DTC, 2460, 2460DTC, 2460SD, 2460SD-DTC
3	<b>S.62316</b> Seal - Axle - Outer (45 x 72 x 10mm)	TX50262	260C, 310, 310DT, 310C, 320, 350, 360, 360C, 445, 445DT, 445SD, 445V, 460, 460DT, 460SD, 460V, 510, 510DT, 550, 550DT, 560, 560DT, 560DTE, 610, 610DT, 610DTE, 610C, 2310, 2510, 2510DTC, 2510SD, 2510SD-DTC, 2610, 2610DTC, 2610SD, 2610SD-DTC, 2260, 2360, 2360DTC, 2460, 2460DTC, 2460SD, 2460SD-DTC
4	<b>S.62448</b> Seal - Axle - Inner (35 x 55 x 12mm)	TX50261	260C, 310, 310DT, 310C, 320, 350, 360, 360C, 445, 445DT, 445SD, 445V, 460, 460DT, 460SD, 460V, 510, 510DT, 550, 550DT, 560, 560DT, 560DTE, 610, 610DT, 610DTE, 610C, 2310, 2510, 2510DTC, 2510SD, 2510SD-DTC, 2610, 2610DTC, 2610SD, 2610SD-DTC, 2260, 2360, 2360DTC, 2460, 2460DTC, 2460SD, 2460SD-DTC
5	<b>S.59174</b> Final Drive Assembly - LH (A=155mm, B=34mm Dia, 50mm Brake Drum, 12 Spline)		<b>Will NOT fit the V and C Models</b> Truck Freight, Call for more information
5	<b>S.59175</b> Final Drive Assembly - RH (A=155mm, B=34mm Dia, 50mm Brake Drum, 12 Spline)		<b>Will NOT fit the V and C Models</b> Truck Freight, Call for more information

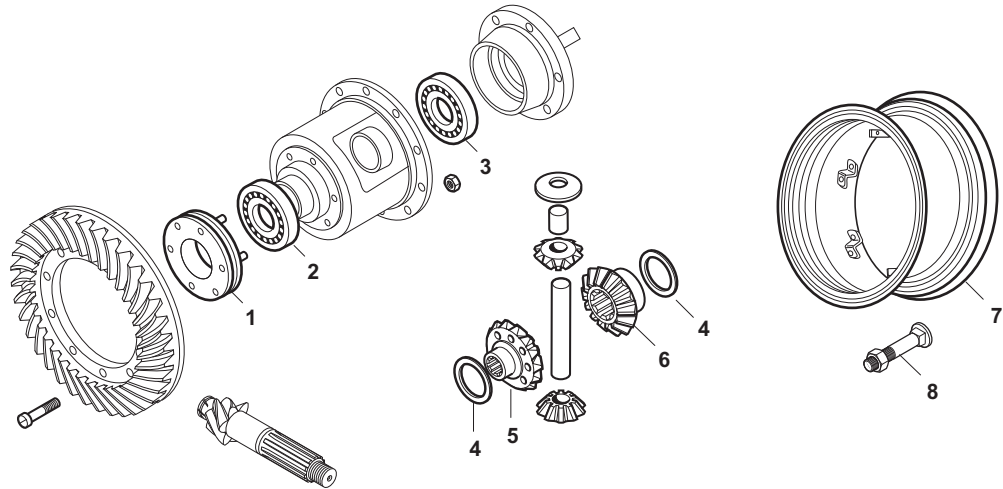
Please see Index for alternative O.E. part numbers.

These parts are Sparex parts and are not manufactured by the Original Equipment Manufacturer.

Original Equipment Manufacturer names, part numbers and descriptions are quoted for reference purposes only.

## Sparex Replacement Parts - Long

### Differential and Rims



SPAREX No.	DESCRIPTION	EQUIVALENT	TRACTOR MODEL
1	<b>S.59133</b> Coupler - Differential Lock	TX10653	350, 360, 360C, 445, 445DT, 445SD, 445V, 460, 460DT, 460SD, 460V, 510, 510DT, 550, 550DT, 560, 560DT, 560DTE, 610, 610DT, 610DTE, 610C
2	<b>S.18217</b> Bearing w/ Cup (#30209) (45 x 85 x 19mm) Check Dimensions	TX51843 TX50404	<b>350, 360, 360C, 445, 445DT, 445SD, 445V, 460, 460DT, 460SD, 460V, 510, 510DT, 550, 550DT, 560, 560DT, 560DTE, 610, 610C</b>
2	<b>S.18218</b> Bearing w/ Cup (#30210) (50 x 90 x 20mm) Check Dimensions	TX51691	<b>260C, 310, 310DT, 310C, 610DT, 610DTC, 2510, 2510DTC, 2510SD, 2510SD-DTC, 2610, 2610DTC, 2610SD, 2610SD-DTC, 2360, 2360DTC, 2460, 2460DTC, 2460SD, 2460SD-DTC</b>
3	<b>S.18219</b> Bearing w/ Cup (#30211) (55 x 100 x 21mm) Check Dimensions	TX51844 TX50405	<b>350, 360, 360C, 445, 445DT, 445SD, 445V, 460, 460DT, 460SD, 460V, 510, 510DT, 550, 550DT, 560, 560DT</b>
3	<b>S.18246</b> Bearing w/ Cup (#32012) (60 x 95 x 23mm) Check Dimensions	TX51692	<b>260C, 310, 310DT, 310C, 350, 360, 360C, 445, 445DT, 445SD, 445V, 460, 460DT, 460SD, 460V, 510, 510DT, 610, 610DT, 610DTE, 2510, 2510DTC, 2510SD, 2510SD-DTC, 2610, 2610DTC, 2610SD, 2610SD-DTC, 2360, 2360DTC, 2460, 2460DTC, 2460SD, 2460SD-DTC</b>
4	<b>S.59136</b> Thrust Washer (1.5mm)	TX10724	<b>260C, 310, 310DT, 310C, 320, 460DTC, 510DTC, 550, 550DT, 560DT, 560DTE, 610, 610DT, 610DTE, 610C, 2310, 2510, 2510DTC, 2510SD, 2510SD-DTC, 2610, 2610DTC, 2610SD, 2610SD-DTC, 2260, 2360, 2360DTC, 2460, 2460DTC, 2460SD, 2460SD-DTC</b>
4	<b>S.59137</b> Thrust Washer (1.6mm)	TX10725	<b>260C, 310, 310DT, 310C, 320, 460DTC, 510DTC, 550, 550DT, 560DT, 560DTE, 610, 610DT, 610DTE, 610C, 2310, 2510, 2510DTC, 2510SD, 2510SD-DTC, 2610, 2610DTC, 2610SD, 2610SD-DTC, 2260, 2360, 2360DTC, 2460, 2460DTC, 2460SD, 2460SD-DTC</b>
5	<b>S.59135</b> Differential Gear - RH	TX10702	<b>(350, 360, 360C, 445, 445DT, 445SD, 445V, 460, 460DT, 460SD, 460V, 510, 510DT Used w/ Differential Bearing S.18217 only), 550, 550DT, 560, 560DT, 560DTE, (610DT, 610DTE w/ Center Drive Front Axle only)</b>
6	<b>S.59134</b> Differential Gear - LH	TX10701	<b>(350, 360, 360C, 445, 445DT, 445SD, 445V, 460, 460DT, 460SD, 460V, 510, 510DT Used w/ Differential Bearing S.18217 only), 550, 550DT, 560, 560DT, 560DTE, (610DT, 610DTE w/ Center Drive Front Axle only)</b>
7	<b>S.60114</b> Rim (13 x 28)		
7	<b>S.60172</b> Rim (14 x 30)		
8	<b>S.58921</b> Bolt & Nut - Disc to Rim	TX10864 TX50160	Fits: S. 60114, S.60172

Please see Index for alternative O.E. part numbers.

These parts are Sparex parts and are not manufactured by the Original Equipment Manufacturer. Original Equipment Manufacturer names, part numbers and descriptions are quoted for reference purposes only.