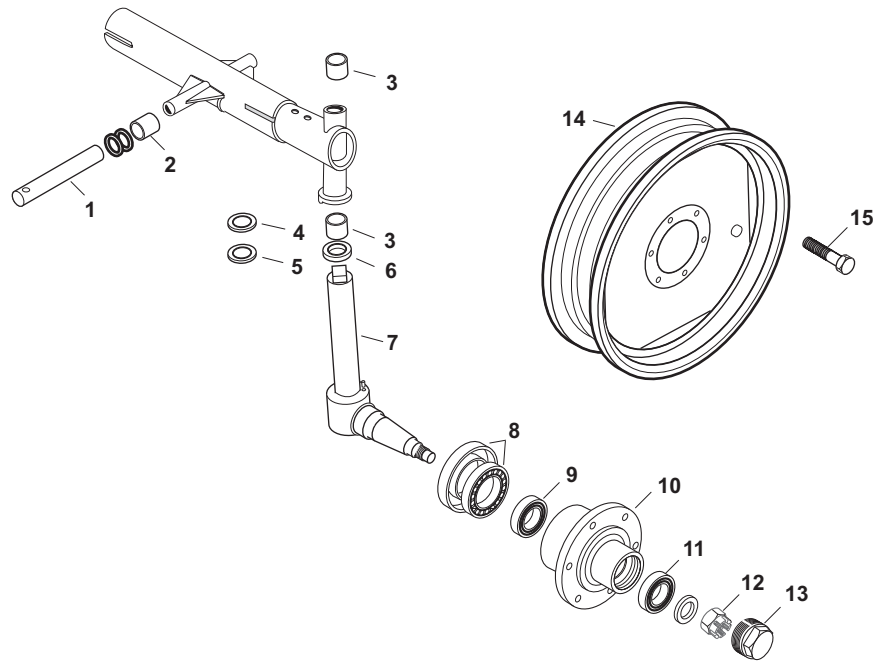


Sparex Replacement Parts - Long

Front Axle and Related Components (2 WD)

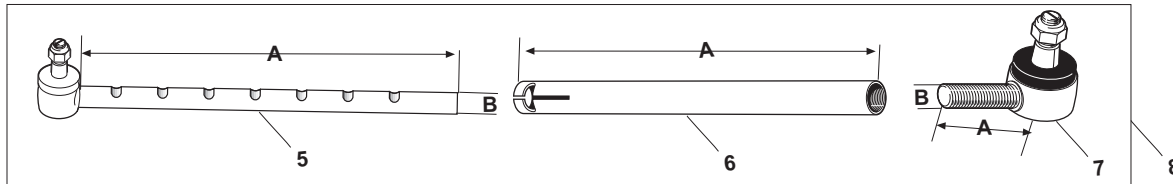
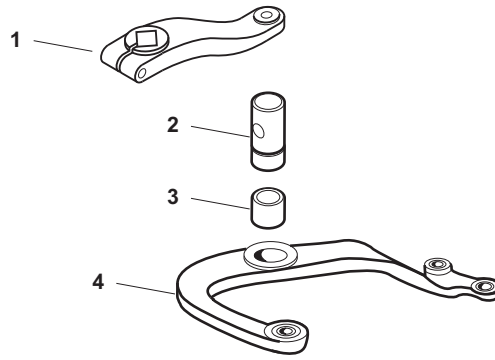
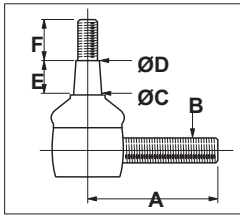


SPAREX No.	DESCRIPTION	EQUIVALENT	TRACTOR MODEL
1	S.69810 Axle Pin	TX10829	260C, 310, 310C, 350, 360, 360C, 445, 445SD, 445V, 460, 460SD, 460V, 510, 550, 550DT, 560, 610, 610C
2	S.58904 Bushing - Axle Pin	TX10842	260C, 310, 310C, 320, 445, 445SD, 445V, 460, 460SD, 460V, 510, 550, 560, 610, 610C, 2310, 2510, 2510SD, 2260, 2360, 2460, 2460SD
3	S.61971 Bushing - Spindle	TX10843	260C, 310, 310C, 350, 360, 360C, 445, 445V, 460, 510, 610C
4	S.59023 Thrust Washer - Upper - Spindle	TX10838	260C, 310, 310C, 320, 350, 360, 445, 445V, 460, 460V, 510, 610C, 2310, 2260
5	S.59024 Thrust Washer - Lower Spindle	TX10839	260C, 310, 310C, 320, 350, 360, 445, 445V, 460, 460V, 510, 610C, 2310, 2260
6	S.18300 Thrust Bearing - Spindle (# 51210, 50 X 78 X 22mm)	TX50988	445SD, 460SD, 550, 560, 610, 2610, 2610SD
7	S.58994 Spindle - RH	TX10808	310, 350, 360, 445, 460, 510
7	S.58995 Spindle - LH	TX10809	310, 350, 360, 445, 460, 510
8	S.62301 Seal - Hub	TX10841 TX10810	260C, 310, 310C, 350, 360, 360C, 445, 445V, 460, 460V, 510, 610C, 2310, 2260
9	S.18107 Inner Bearing (#6307, 35 x 80 x 21mm)	TX50398 TX50784	260C, 310, 310C, 320, 350, 360, 360C, 445, 445V, 460, 460V, 510, 610C, 2310, 2260
9	S.18265 Inner Bearing (#32309, 45 x 100 x 38.25mm)	TX50794	550, 560, 610, 2510, 2510SD, 2610, 2610SD, 2360, 2460, 2460SD
10	S.61198 Hub w/ Bolts, less Bearing Cups	TX10872 TX11509	260C, 310, 310C, 320, 350, 360C, 445, 445V, 460, 460V, 510, 610C, 2310, 2260
11	S.18105 Outer Bearing (#6305, 25 x 62 x 17mm)	TX50396	260C, 310, 310C, 320, 350, 360, 360C, 445, 445V, 460, 460V, 510, 610C, 2310, 2260
11	S.18264 Outer Bearing (#32308, 40 x 90 x 35.25)	TX50795 TX50565	550, 550DT, 560, 610, 2510, 2510SD, 2610, 2610SD, 2360, 2460, 2460SD
12	S.53860 Slotted Nut (M20 x 1.5")	TX51503 500443	260C, 310, 310C, 320, 350, 360, 360C, 445, 445V, 460, 460V, 510, 610C, 2310, 2260
13	S.61199 Hub Cap - Threaded	TX10867	260C, 310, 310C, 320, 350, 360C, 445, 445V, 460, 460V, 510, 610C, 2310, 2260
14	S.61975 Rim (5.50 x 16)	TX10855	550, 560, 610, 2510, 2360, 2460 (Note: Mounting Holes are not Chamfered. Use 6 Bolts S.51531 and 6 Washers S.06821)
15	S.62300 Wheel Bolt (M14 x 1.5")	TX10870	260C, 310, 310C, 320, 350, 360, 360C, 445, 445SD, 445V, 460, 460SD, 460V, 510, 550, 550DT, 560, 610, 610C, 2310, 2510, 2510SD, 2610, 2610SD, 2260, 2460, 2460SD

Please see Index for alternative O.E. part numbers.

These parts are Sparex parts and are not manufactured by the Original Equipment Manufacturer. Original Equipment Manufacturer names, part numbers and descriptions are quoted for reference purposes only.

Steering Arm, Tie Rod and Related Components (2 WD)



SPAREX No.	DESCRIPTION	EQUIVALENT	TRACTOR MODEL
1	S.61142 Spindle Arm - RH	TX10825	260C, 310, 310C, 320, 360C, 610C, 2310, 2260
1	S.61143 Spindle Arm - LH	TX10826	260C, 310, 310C, 320, 360C, 610C, 2310, 2260
2	S.61973 Pin - Steering Arm (1.437" Dia x 4" Long)	TX10847	260C, 310, 310C, 350, 360, 360C, 445, 445V, 445SD, 460, 460V, 460SD, 510, 550, 560, 610, 610C
3	S.61974 Bushing (1.562"OD x 1.187"ID x 1.250" Long)	TX10833	260C, 310, 310C, 320, 350, 360, 360C, 445, 445V, 445SD, 460, 460V, 460SD, 510, 550, 560, 610, 610C
4	S.61976 Steering Arm	TX12493	260C, 310, 310C, 350, 360, 360C, 445, 445V, 445SD, 460, 460V, 460SD, 510, 550, 560, 610, 610C
5	S.71263 Tie Rod End - Outer - 7 Grooves (A=475mm/18.75", B=22mm x.866", C=16.30mm/.641", D=14.66mm/.577", E=15.72mm/.619", F=16.92mm/.667")	TX10823	310, 350, 360, 445, 460, 460V, 510, 550, 560, 610
6	S.63197 Tie Rod Tube (A=380mm/15", B=22.20mm/.875", B=22mm x1.5)	TX10948	310, 350, 360, 445, 460, 460V, 510, 550, 560, 610
7	S.71264 Tie Rod End - Inner (A=85mm/3.34", B=22mm x1.5, C=16.30mm/.641", D=14.66mm/.577", E=15.72mm/.619", F=16.92mm/.667")	TX10812	310, 350, 360, 445, 460, 460V, 510, 550, 560, 610
8	S.63179 Tie Rod Assembly	TX10817	310, 350, 360, 445, 460, 460V, 510, 550, 560, 610

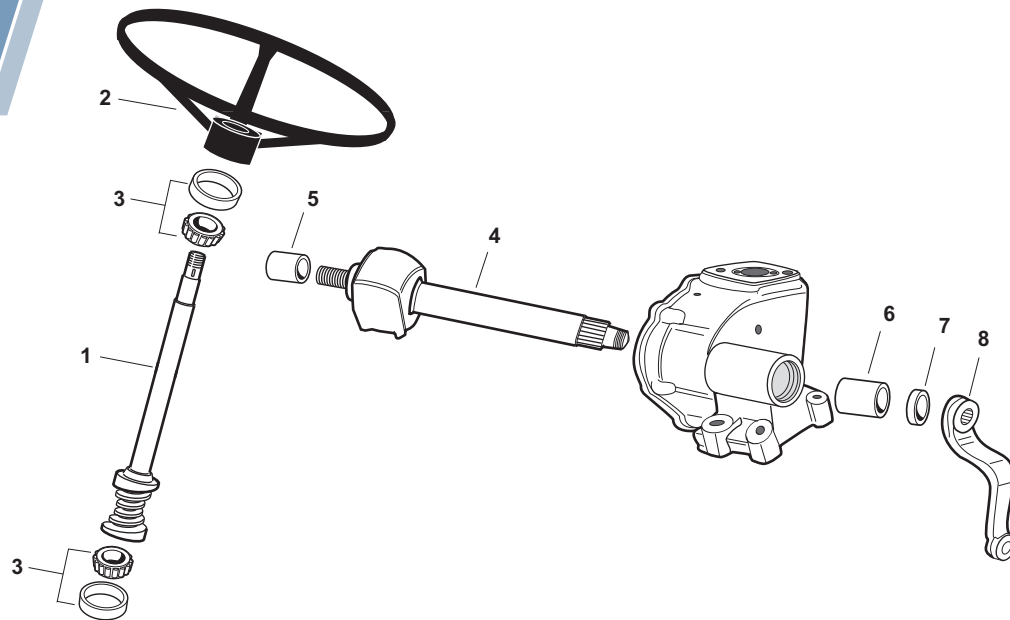
Please see Index for alternative O.E. part numbers.

These parts are Sparex parts and are not manufactured by the Original Equipment Manufacturer.

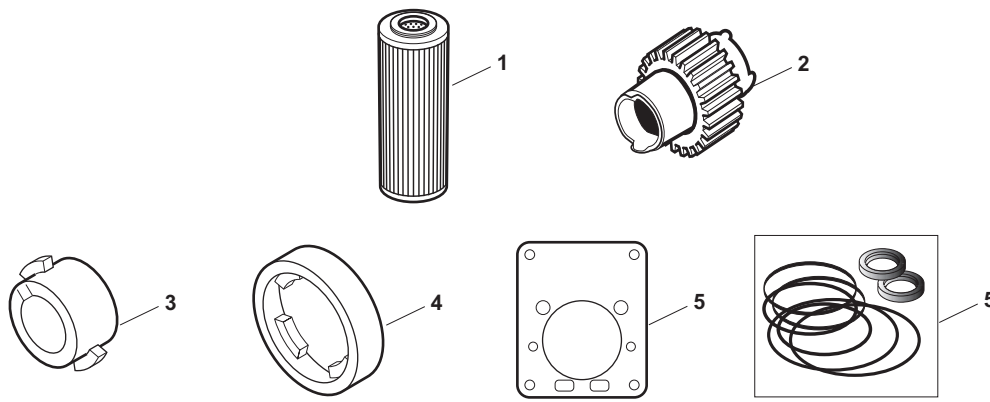
Original Equipment Manufacturer names, part numbers and descriptions are quoted for reference purposes only.

Sparex Replacement Parts - Long

Steering Gear and Related Components



SPAREX No.	DESCRIPTION	EQUIVALENT	TRACTOR MODEL
1	S.67266 Steering Shaft - Splined (2 WD Models Only)	TX10880	(260C, 310, 310C Manual), 350, 360, 445, 445SD, 460, 460V, 460SD, 550, 550DT, 560
2	S.61152 Steering Wheel - Splined	TX10409	(260C, 310, 310C, 310DT w/ Hydrostatic Steering), 350, 360, 360C, 445SD, 460, 460V, 460SD, 550, 550DT
3	S.53405 Bearing - Steering Shaft	TX12987 TX50517	(260C, 310, 310C Manual), 350, 360, 360C, 445, 445V, 445SD, 460, 460V, 460SD, 550, 550DT, 560, 560DT, 560DTE
4	S.69812 Rocker	TX10877	350, 360, 360C, 445, 445SD, 445V, 460, 460SD, 460V, 550, 550DT, 560
5	S.69813 Bushing (1.50"OD, 1.35"ID, .51" Long)	TX10888	(260C, 310, 310C Manual), 350, 360, 445, 445V, 445SD, 460, 460V, 460SD, 550, 550DT, 560, 560DT, 560DTE
6	S.69814 Bushing (1.45"OD, 1.37"ID, .90" Long)	TX10887 TX14958	(260C, 310, 310C Manual), 350, 360, 445, 445V, 445SD, 460, 460V, 460SD, 550, 550DT, 560, 560DT, 560DTE
7	S.59038 Seal - Steering Box (34.9 x 46.5 x 7mm)	TX50508 TX50669	(260C, 310, 310C Manual), 350, 360, 445, 445V, 445SD, 460, 460V, 460SD, 550, 550DT, 560, 560DT, 560DTE
8	S.60540 Drop Arm	TX10881	260C, 310, 310C, 350, 360, 360C, 445, 445V, 445SD, 460, 460V, 460SD, 550, 550DT, 560



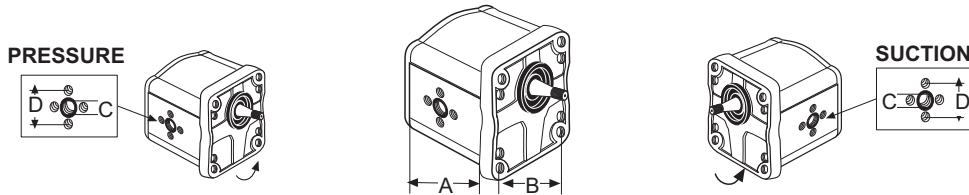
SPAREX No.	DESCRIPTION	EQUIVALENT	TRACTOR MODEL
1	S.62333 Filter Element - Power Steering Reservoir	TX14841	260C, 310, 310C, 360, 460, 460DT, 510, 510DT, 610, 610C, 610DT, 610DTE
2	S.59183 Drive Gear - Power Steering Pump	TX12620	260C, 310, 310C, 310DT, 320, 350, 360, 360C, 445, 445V, 445DT, 460, 460V, 460DT, 510, 510DT, 550, 550DT, 560, 560DT, 560DTE, 610, 610C, 610DT, 610DTE, 2310, 2510, 2510SD, 2510DTC, 2510SD-DTC, 2610, 2610SD, 2610DTC, 2610SD-DTC, 2260, 2360, 2360DTC, 2460, 2460SD, 2460DTC, 2460SD-DTC
3	S.62484 Coupler Ring	TX11904	260C, 310, 310C, 310DT, 320, 350, 360, 360C, 445, 445V, 445DT, 460, 460V, 460DT, 510, 510DT, 550, 550DT, 560, 560DT, 560DTE, 610, 610C, 610DT, 610DTE, 2310, 2510, 2510SD, 2510DTC, 2510SD-DTC, 2610, 2610SD, 2610DTC, 2610SD-DTC, 2260, 2360, 2360DTC, 2460, 2460SD, 2460DTC, 2460SD-DTC
4	S.62485 Hub - Pump Drive	TX11903	260C, 310, 310C, 310DT, 320, 350, 360, 360C, 445, 445V, 445DT, 460, 460V, 460DT, 510, 510DT, 550, 550DT, 560, 560DT, 560DTE, 610, 610C, 610DT, 610DTE, 2310, 2510, 2510SD, 2510DTC, 2510SD-DTC, 2610, 2610SD, 2610DTC, 2610SD-DTC, 2260, 2360, 2360DTC, 2460, 2460SD, 2460DTC, 2460SD-DTC
5	S.62598 Gasket - Pump Mounting	TX10117	260C, 310, 310C, 310DT, 320, 350, 360, 360C, 445, 445V, 445DT, 460, 460V, 460DT, 510, 510DT, 550, 550DT, 560, 560DT, 560DTE, 610, 610C, 610DT, 610DTE, 2310, 2510, 2510SD, 2510DTC, 2510SD-DTC, 2610, 2610SD, 2610DTC, 2610SD-DTC, 2260, 2360, 2360DTC, 2460, 2460SD, 2460DTC, 2460SD-DTC
6	S.14642 Seal Kit - Power Steering Pump		Repairs OEM & Sparex pumps listed on page 5

Please see Index for alternative O.E. part numbers.

These parts are Sparex parts and are not manufactured by the Original Equipment Manufacturer.

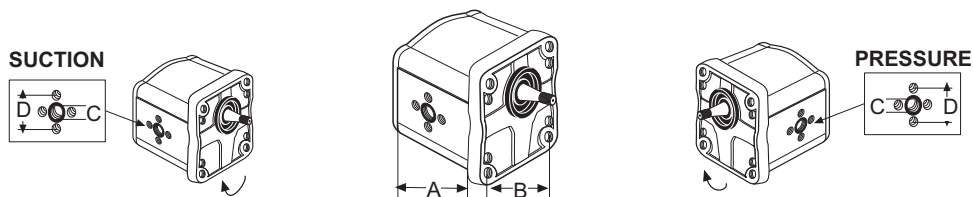
Original Equipment Manufacturer names, part numbers and descriptions are quoted for reference purposes only.

COUNTER CLOCKWISE ROTATION



S.60283	S.62213	S.62214	S.62215
<p>A= 42mm / 1.65" B= 70.98mm / 2.79"</p> <p>Suction Side: C= 13mm / .51" D= 30.70mm / 1.20" Bolt Holes= 8mm x 1.25 Thread</p> <p>Pressure Side: C= 13mm / .51" D= 30.70mm / 1.20" Bolt Holes= 6mm x 1.20 Thread Gal. per min (Approx)= 6.6 Liters per min.= 25 Counter Clockwise Rotation</p>	<p>A= 58mm / 2.28" B= 70.98mm / 2.79"</p> <p>Suction Side: C= 19mm / .75" D= 40.5mm / 1.59" Bolt Holes= 8mm x 1.25 Thread</p> <p>Pressure Side: C= 14.26mm / .255" D= 30.70mm / 1.20" Bolt Holes= 6mm x 1.20 Thread Gal. per min (Approx)= 6.6 Liters per min.= 25 Counter Clockwise Rotation</p>	<p>A= 67.66mm / 2.66" B= 70.98mm / 2.79"</p> <p>Suction Side: C= 19mm / .75" D= 40.5mm / 1.59" Bolt Holes= 8mm x 1.25 Thread</p> <p>Pressure Side: C= 14.26mm / .255" D= 30.70mm / 1.20" Bolt Holes= 6mm x 1.20 Thread Gal. per min (Approx)= 8.1 Liters per minute= 31 Counter Clockwise Rotation</p>	<p>A= 64.02mm / 2.52" B= 70.98mm / 2.79"</p> <p>Suction Side: C= 19mm / .75" D= 40.5mm / 1.59" Bolt Holes= 8mm x 1.25 Thread</p> <p>Pressure Side: C= 14.26mm / .255" D= 30.70mm / 1.20" Bolt Holes= 6mm x 1.20 Thread Gal. per min (Approx)= 11.0 Liters per minute= 42 Counter Clockwise Rotation</p>

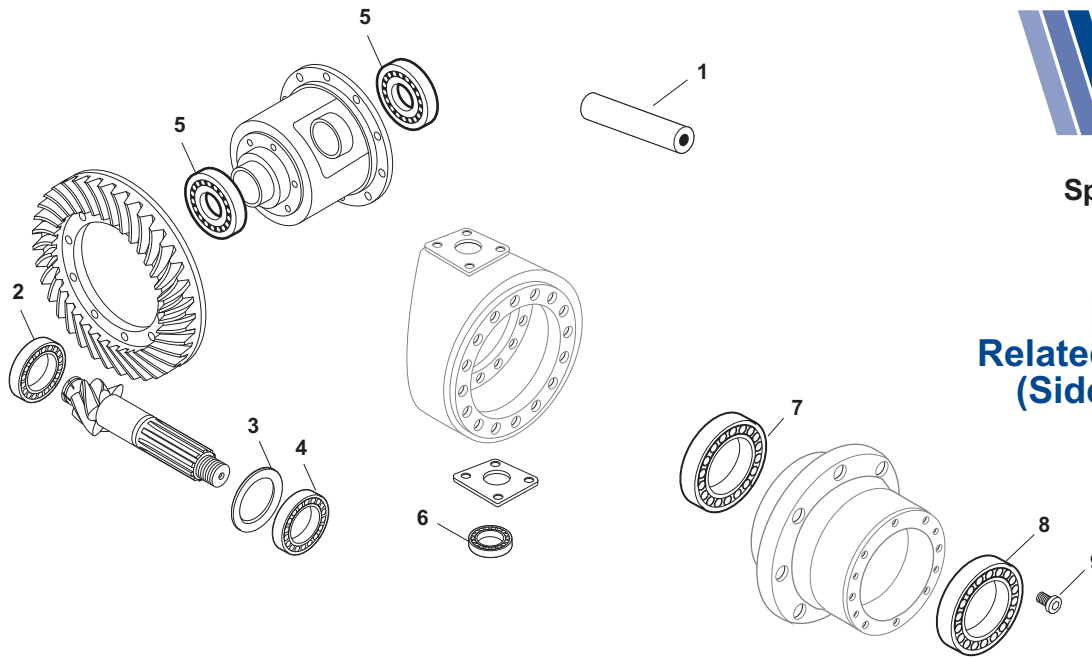
CLOCKWISE ROTATION



S.62216	S.62217	S.62218	S.62219
<p>A= 40.01mm / 1.85" B= 70.98mm / 2.79"</p> <p>Pressure Side: C= 12.70mm / .50" D= 30.70mm / 1.20" Bolt Holes= 6mm x 1.0 Thread</p> <p>Suction Side: C= 12.70mm / .50" D= 30.70mm / 1.20" Bolt Holes= 6mm x 1.0 Thread Gal. per min (Approx)= 4.7 Liters per minute= 18 Clockwise Rotation</p>	<p>A= 58mm / 2.28" B= 70.98mm / 2.79"</p> <p>Pressure Side: C= 14.21mm / .55" D= 30.70mm / 1.20" Bolt Holes= 6mm x 1.0 Thread</p> <p>Suction Side: C= 19mm / .75" D= 40.50mm / 1.59" Bolt Holes= 6mm x 1.0 Thread Gal. per min (Approx)= 6.6 Liters per minute= 25 Clockwise Rotation</p>	<p>A= 63mm / 2.48" B= 70.98mm / 2.79"</p> <p>Pressure Side: C= 14.21mm / .55" D= 30.70mm / 1.20" Bolt Holes= 6mm x 1.0 Thread</p> <p>Suction Side: C= 19mm / .75" D= 40.50mm / 1.59" Bolt Holes= 8mm x 1.25 Thread Gal. per min (Approx)= 8.7 Liters per minute= 33 Clockwise Rotation</p>	<p>A= 64.68mm / 2.54" B= 70.98mm / 2.79"</p> <p>Pressure Side: C= 14.21mm / .55" D= 30.70mm / 1.20" Bolt Holes= 6mm x 1.0 Thread</p> <p>Suction Side: C= 19mm / .75" D= 40.50mm / 1.59" Bolt Holes= 8mm x 1.25 Thread Gal. per min (Approx)= 11 Liters per minute= 42 Clockwise Rotation</p>

WARNING: Check DIRECTION of ROTATION. Warranty Void if Improperly Installed!

Front Axle and Related Components (Side Drive - 4 WD)



SPAREX No.	DESCRIPTION	EQUIVALENT	TRACTOR MODEL
1	S.69810 Axle Pin - Center	TX10829	310DT, 445DT, 460DT, 510DT, 560DT
2	S.18264 Bearing w/ Cup - Pinion Shaft (#32308, 40 x 90 x 35.25mm)	TX50987	310DT, 445DT, 460DT, 510DT, 560DT
3	S.50369 Seal (48 x 80 x 10mm) - Pinion Shaft	TX50523	310DT, 445DT, 460DT, 510DT, 560DT
4	S.18263 Bearing w/ Cup - Pinion Shaft (#32307, 35 x 80 x 31mm)	TX50986	310DT, 445DT, 460DT, 510DT, 560DT
5	S.18220 Bearing w/ Cup - Differential Housing (#30212, 60 x 110 x 22mm)	TX50985	310DT, 445DT, 460DT, 510DT, 560DT
6	S.18261 Bearing w/ Cup - Pivot Pin (#32305, 25 x 62 x 24mm)	TX51030	310DT, 445DT, 460DT, 510DT, 560DT
7	S.18223 Bearing w/ Cup -Inner - Hub (#30215, 75 x 130 x 25mm)	TX50983	310DT, 445DT, 460DT, 510DT, 560DT
8	S.18222 Bearing w/ Cup - Outer - Hub (#30214, 70 x 125 x 24mm)	TX50982	310DT, 445DT, 460DT, 510DT, 560DT
9	S.62298 Wheel Bolt (M16 x 1.5)	TX10863	310DT, 445DT, 460DT, 510DT, 560DT

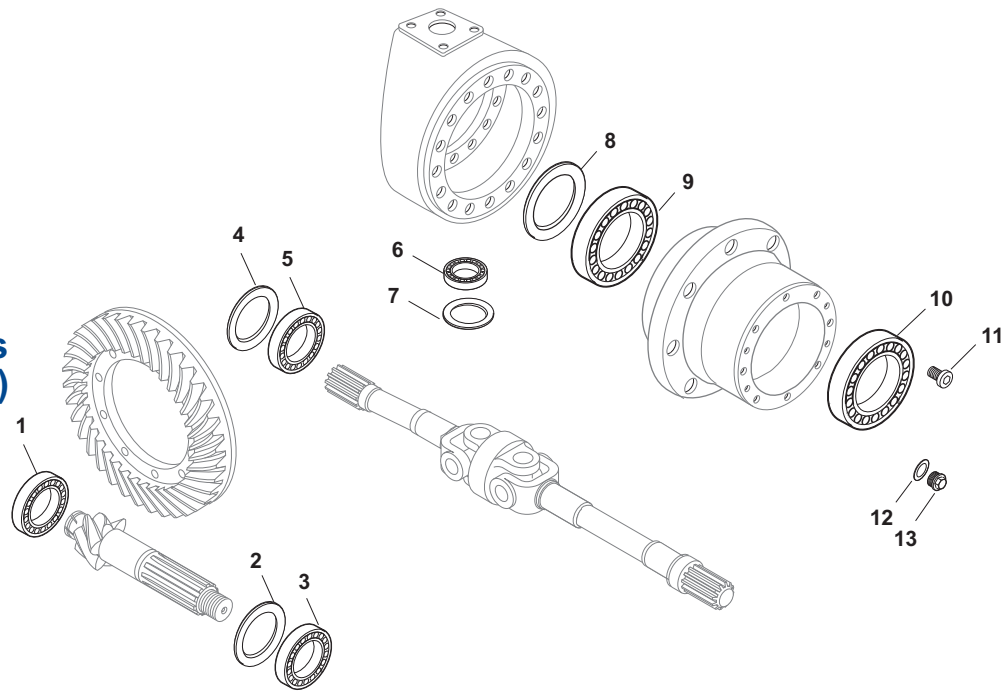
Please see Index for alternative O.E. part numbers.

These parts are Sparex parts and are not manufactured by the Original Equipment Manufacturer.

Original Equipment Manufacturer names, part numbers and descriptions are quoted for reference purposes only.

Sparex Replacement Parts - Long

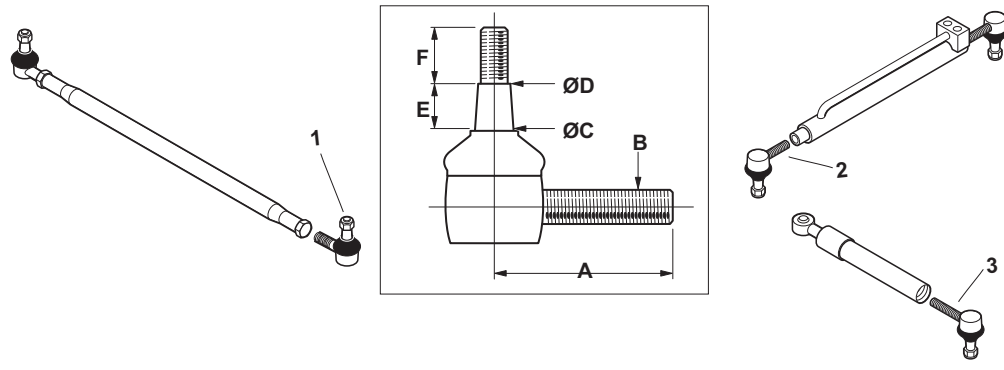
Front Axle and Related Components (Center Drive - 4 WD)



SPAREX No.	DESCRIPTION	EQUIVALENT	TRACTOR MODEL
1	S.18244 Bearing w/ Cup - Inner - Drive Pinion (#31309, 45 x 100 x 27.25mm)	TX51797	2510DTC, 2510SD-DTC, 2360DTC, 2610DTC, 2610SD-DTC, 2360DTC, 2460DTC, 2460SD-DTC
2	S.50386 Seal - Drive Pinion (50 x 80 x 10mm)	TX51775	2510DTC, 2510SD-DTC, 2360DTC, 2610DTC, 2610SD-DTC, 2360DTC, 2460DTC, 2460SD-DTC
3	S.18242 Bearing w/ Cup (#31307, 35 x 80 x 22.75mm)	TX51796	2510DTC, 2510SD-DTC, 2360DTC, 2610DTC, 2610SD-DTC, 2360DTC, 2460DTC, 2460SD-DTC
4	S.50323 Seal - Drive Axle (40 x 62 x 12mm)	TX51820	2510DTC, 2510SD-DTC, 2360DTC, 2610DTC, 2610SD-DTC, 2360DTC, 2460DTC, 2460SD-DTC
5	S.18007 Bearing - Drive Axle (#6007, 35 x 62 x 14mm)	TX51791	2510DTC, 2510SD-DTC, 2360DTC, 2610DTC, 2610SD-DTC, 2360DTC, 2460DTC, 2460SD-DTC
6	S.18254 Bearing w/ Cup (#32206, 30 x 62 x 21.25mm)	TX52071	2510DTC, 2510SD-DTC, 2360DTC, 2610DTC, 2610SD-DTC, 2360DTC, 2460DTC, 2460SD-DTC
7	S.50418 Seal - Pivot Pin (58 x 80 x 10mm)	TX52072	2510DTC, 2510SD-DTC, 2360DTC, 2610DTC, 2610SD-DTC, 2360DTC, 2460DTC, 2460SD-DTC
8	S.62296 Seal (130 x 110 x 13mm)	TX51823	2510DTC, 25960SD-DTC, 2360DTC, 2610DTC, 2610SD-DTC, 2360DTC, 2460DTC, 2460SD-DTC
9	S.18222 Bearing w/ Cup - Inner - Hub (#32014, 70 x 110 x 25mm)	TX51794	2510DTC, 2510SD-DTC, 2360DTC, 2610DTC, 2610SD-DTC, 2360DTC, 2460DTC, 2460SD-DTC
10	S.18250 Bearing w/ Cup - Outer - Hub (#32016, 80 x 125 x 29mm)	TX51795	2510DTC, 2510SD-DTC, 2360DTC, 2610DTC, 2610SD-DTC, 2360DTC, 2460DTC, 2460SD-DTC
11	S.62298 Wheel Bolt (M16 x 1.5)	TX10863	2510DTC, 2510SD-DTC, 2360DTC, 2610DTC, 2610SD-DTC, 2360DTC, 2460DTC, 2460SD-DTC
12	S.08848 Seal - Drain Plug	TX50034	2510DTC, 2510SD-DTC, 2360DTC, 2610DTC, 2610SD-DTC, 2360DTC, 2460DTC, 2460SD-DTC
13	S.62120 Drain Plug (M22 x 1.5)	TX50030	2510DTC, 2510SD-DTC, 2360DTC, 2610DTC, 2610SD-DTC, 2360DTC, 2460DTC, 2460SD-DTC

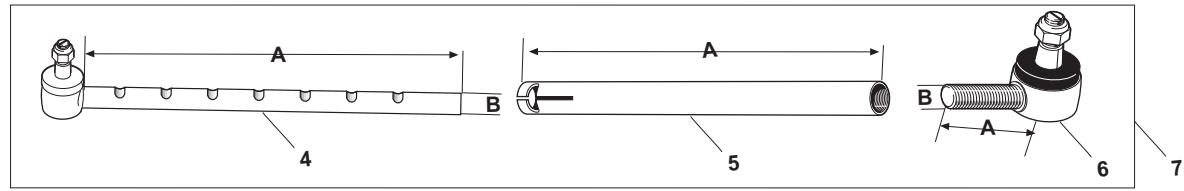
Please see Index for alternative O.E. part numbers.

These parts are Sparex parts and are not manufactured by the Original Equipment Manufacturer. Original Equipment Manufacturer names, part numbers and descriptions are quoted for reference purposes only.



Sparex Replacement Parts - Long

Tie Rod Ends (2-4 WD)



SPAREX No.	DESCRIPTION	EQUIVALENT	TRACTOR MODEL
1	S.70734 Tie Rod End (A=96mm/3.77", B=22mm x1.5, C=20mm/.787", C=18mm/.708", E=24mm/.945", F=24mm/.945")	TX17334	2510DTC, 2610DTC, 2610SD-DTC, 2360DTC, 2460DTC, 2460SD-DTC
2	S.62601 Tie Rod End - Power Steering Cylinder (A=3 1/2", B=20mm x1.5) w/ Single Side Mounted Cylinder	TX11830	(260C, 310, 310C, 310DT Hydrostatic), (350, 360 Power Assist), (360DT, 445, 445DT, (460, 460DT Power Assist & Hydrostatic), (460SD Power Assist), (510, 510DT, 610, 610DT, 610DTE, 610C Hydrostatic), 550, 550DT
3	S.20353 Tie Rod End - Power Steering Cylinder w/ Dual Cylinders (A=70mm/2.75", B=22mm x1.5, C=20mm/.787", D=18mm/.708", E=24mm/.944", F=24mm/.944)	TX17104	2610, 2610DTC, 2610SD, 2610SD-DTC
3	S.63168 Tie Rod End - Power Steering Cylinder w/ Dual Cylinders (A=85.43mm/3.36", B=20mm x1.0, C=20.50mm/.807", D=18.31mm/.721", E=24.76mm/.975", 22.51mm/.886")	TX52073	460DT, 510DT
4	S.71263 Tie Rod End - Outer - 7 Grooves (A=475mm/18.75", B=22mm x.866", C=16.30mm/.641", D=14.66mm/.577", E=15.72mm/.619", F=16.92mm/.667)	TX10823	310, 350, 360, 445, 460, 460V, 510, 550, 560, 610
5	S.63197 Tie Rod Tube (A=380mm/15", B=22.20mm/.875", B=22mm x1.5)	TX10948	310, 350, 360, 445, 460, 460V, 510, 550, 560, 610
6	S.71264 Tie Rod End (A=85mm/3.34", B=22mm x1.5, C=16.30mm/.641", D=14.66mm/.577", E=15.72mm/.619", F=16.92mm/.667")	TX10812	310, 310DT, 350, 360, 445, 445DT, 460, 460V, 460DT, 510, 510DT, 550, 560, 560DT, 610
7	S.63179 Tie Rod Assembly	TX10817	310, 350, 360, 445, 460, 460V, 510, 550, 560, 610

Please see Index for alternative O.E. part numbers.

These parts are Sparex parts and are not manufactured by the Original Equipment Manufacturer. Original Equipment Manufacturer names, part numbers and descriptions are quoted for reference purposes only.