

Sparex Replacement
Massey Ferguson Parts

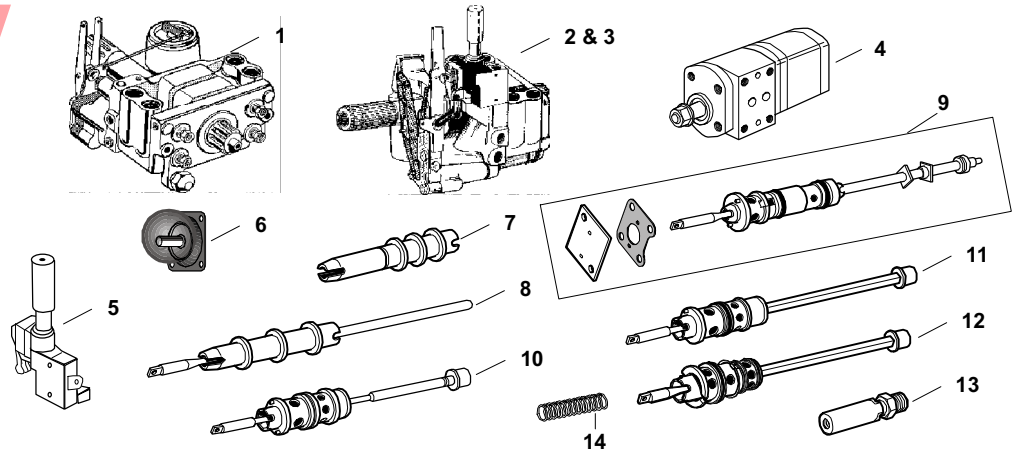
Hydraulic Lift Pumps and Related Components

- 1** — Hydraulic Pumps and Related Components
- 2-4** — Hydraulic Pump Repair Kits and Related Components
- 5-6** — Auxiliary Pumps, Radial Pumps, Filters and Related Components
- 7-10** — Hydraulic Lift Covers and Related Components
- 11-13** — Hydraulic Lift Cylinders and Related Components
- 14** — Hydraulic Quick Couplers and Related Components

MF7

Sparex Replacement
Massey Ferguson Parts

Hydraulic Pumps and Related Components



SPAREX No.	DESCRIPTION	EQUIVALENT	TRACTOR MODEL
1	S.60461 Hydraulic Pump Assembly - 10 Spline	184473M93	MF 35, 50, 65, Ind. 35 Turf & Utility, 202, 203, 204, 205
2	S.42258 Hydraulic Pump Assembly 21 Spline - less Pressure Control	1683301M92	MF 230, 240 Late Production less Auxiliary Hyd), (240 SN 522354~A20286 w/ Horizontal Mounted Safety Valve), 245, (250 Late Production less Auxiliary Pump), (253 >Eng SN 26/08/91 w/ Auxiliary Hyd), 255, 265, 275, 283, 283 Brazil, 290, 298, (670 Late Production), 690, 698, 699, Ind. 20D, 20E, 20F, (30E less Auxiliary Hyd), 40E
3	S.60468 Hydraulic Pump Assembly 21 Spline - w/ Pressure Control	1672251M92 1675125M92 1868439M98	MF 230, 235, 240, 245, 250, 255, 265, 270, 275, 282, 283, 290, 298, 670, 690, 698, 699, Ind. 20C, 20D, 20E, 20F, 30, 30B, 30E, 31, 40, 40B, 40E, 50C
4	S.42143 Hydraulic Pump - Tandem Sundstrand	3597706M91 3701005M91	MF 362, 375, 383, 390, 390T, 398
4	S.42172 Hydraulic Pump - Tandem	3382280M1 3616060M1	MF 3050, 3060, 3065, 3070, 3075, 3090, 3120, 3120T, 3140, 6150
5	S.42029 Valve - Pressure Control	1680061M91	MF 231, (240 SN 522354~A20286), (245 >SN 9A349339), 261, 265, 275, 282, (285 >SN 9A349339), 298, 698, 699, 1085, Ind. 20C, 20E, 30B, 40B
6	S.41877 Diaphragm - Pressure Control	1860114M91	MF 135, 135UK, (150 w/ Rear Axle 512654P93 SN FA105>, 512655P93 SN FA101>), (165, 175, 180 SN CA2366>), 165UK, (230 >SN 9A349239), 231, 235, (240 SN 522354~A20286), (245 >SN 9A349239), 255, 261, 265, 275, 282, (285 >SN 9A349239), 298, 698, 699, 1085, Ind. 20C, 20E, 30, 30B, 31, 40, 40B, 50C
7	S.00706 Control Valve	189427M92	MF 35, 35UK, 50, 65, Ind. 35 Turf & Utility
8	S.00698 Control Valve - MKI Pump	897507M94	MF 135, 150, 165, 175, 180
9	S.00708 Control Valve - MKII Pump Conversion Kit to Replace 897507M94	1862486M96	MF 135, 150, 165, 175, 180
10	S.17269 Control Valve - MKIII Pump w/ Round Shaft, less Pressure Control	1870763M92	MF (165UK SN 136610>), 230, 231, (235 except w/ Lift Cover Casting #1861320M1), 240, (245 >SN 9A349239), 250, 255, 265, 275, Ind. 20C, 30, 30B, 30E, 31, 40, 40B, 50C, 50E
11	S.04785 Control Valve - MKIII Pump Late Style Square Shaft	1681789M91	MF 230*, 231, 235*, 240+, 245*, 250, 253+, 255, 265, 270, 275, 290, 298, 360+, 362+, 365, 375+, 393+, 390+, 390T+, 398+, 399+, 670, 690, 698, 699, Ind. 20C, 20D, 30, 30B, 30D, 30E, 31*, 40*, 40B, 40E, 50C, 50D, 50E, (* Will fit MKIII Pumps w/ Rear Mounted Safety Valve, + >SN 26/08/91)
11	S.42101 Control Valve	3611085M91	MF 240*, 253*, 283UK, 360*, 362*, 375*, 383*, 390*, 390T*, 393, 396, 398*, 399*, Ind. (20F w/ Vertical Mounted Control Valve) (* SN 26/08/91>)
12	S.17630 Control Valve	1617141M91	MF 285, 1085
13	S.00702 Relief Valve * 2300/2800 PSI	828927M92	MF(135UK, 165UK, 175UK, 178 less Pressure Control), 231, (240 SN 522354~A20286), (240 SN A20286> w/out Auxiliary Hyd), (253 w/ Auxiliary Hyd), 261, (375* >SN B18008), 383, (390*, 390T >SN B18008), 670*, 690*, 698*, 699*, Ind. 20D, 20F, (40E w/ Live PTO)
13	S.03358 Relief Valve * 2700/3200 PSI Alternative to S.00702	884747M92 884747M93	MF135, 150, 165, 175, 180, 230, 235, 240, 245, 253, 255, 265, 270, 275, 283, 290, 298, 670, 690, 699, Ind. 20, 20C, 30, 30B, 30D, 30E, 31, 40, 40B, 40E, 50C, 50D, 50E
13	S.03271 Relief Valve * 2500 / 3000 PSI	883402M92	MF 135, (135UK, 165UK, 175UK, 178 w/ Pressure Control), 150, 165, 175, 180, 230, 235, 240, 245, 250, 2640, 2675, 2705, 2745, 2775, 2805, Ind. 20, 20C, 20D, 30, 30D, 30E, 31, 40, 50E, 35 Turf & Utility, 2135, 3165
14	S.42164 Spring - Control Valve	180940M1	Used w/ all Control Valves

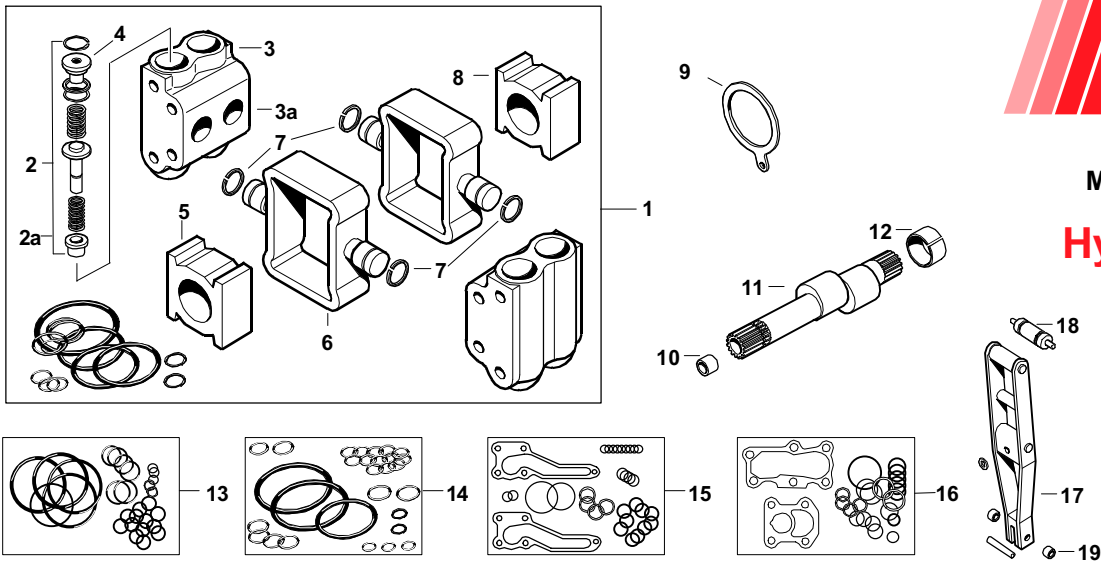
These parts are Sparex parts and are not manufactured by the Original Equipment Manufacturer. Original Manufacturers names, part numbers and descriptions are quoted for reference purposes only and are not intended to indicate that our replacement parts are made by the Original Equipment Manufacturer.





Sparex Replacement
Massey Ferguson Parts

Hydraulic Pump Repair Kits and Related Components



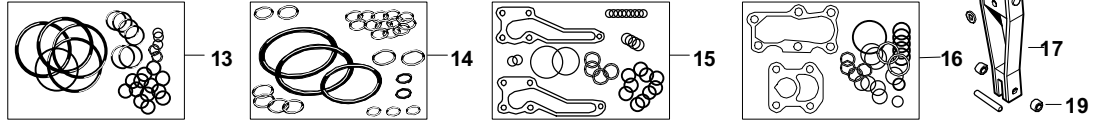
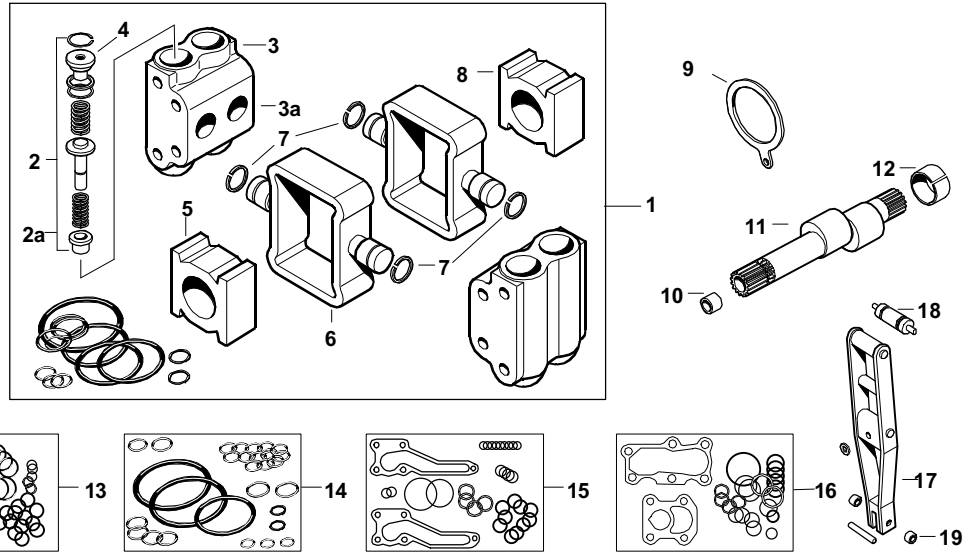
SPAREX No.	DESCRIPTION	EQUIVALENT	TRACTOR MODEL
1	S.40843 Hydraulic Pump Rebuild Kit Valve Chamber w/ 5 holes		MF 35, 65
1	S.40844 Hydraulic Pump Rebuild Kit - MKI Valve Chamber w/ 4 holes (7/16" Bottom Hole)		MF 135 Late, 165, 175, 178
1	S.40845 Hydraulic Pump Rebuild Kit - MKIII Valve Chamber w/ 4 holes (1/2" Bottom Hole)		MF 135, 165, 230, 235, 240, 245, 250, 255, 265, 275, 285, 290, 298, 350, 390, 398, 399, 675, 690, 698, 698T, 699, 1080, 1085
2	S.03274 Valve Chamber Rebuild Kit (2 required per pump)	1810678M91	MF 35, 35UK, 65, 135, 150, 165, 165UK, 175, 175UK, 178, 180, 230, 231, 235, 240, 245, 250, 255, 265, 275, 285, 290, 298, 390, 390T, 398, 399, 670, 690, 698, 699, 1080, 1085, Ind. 20C, 20D, 30B, 30D, 30E, 40B, 40E, 50C, 50E
2a	S.42009 Valve & O-Ring Kit (Complete kit repairs both Chambers)	830997M91	MF 35, 50, 65, 135, 150, 165, 175, 180
3	S.40846 Valve Chamber Assembly - (.91" Piston Bore) 5 holes in Chamber	184471M1	MF 35, 35UK, 50, 65, 135, 165, 175, Ind. 35 Turf & Utility, 2135
3	S.40847 Valve Chamber Assembly - MKI (.900/.905" Piston Bore) 4 holes in Chamber (Bottom Hole 7/16" Dia)	897491M1	MF 135, 135UK, 150, 165, 165UK, 175, 175UK, 178, 180, Ind. 30, 40, 2135, 3165
3	S.17369 Valve Chamber Assembly - MKII (.944/.949" Piston Bore)	888702M1	MF 135, 150, 165, 175UK, 178, 180, Ind. 20, 30, 40, 2135, 3165
3	S.40848 Valve Chamber Assembly - MKIII 4 holes in Chamber (Bottom Hole 1/2" Dia)	1868435M3	MF 135, 135UK, 150, 165, 165UK, 175, 180, 230, 231, 235, 240, 245, 250, 253, 255, 261, 265, 270, 275, 282, 283, 283 Brazil, 283UK, 285, 290, 298, 360, 362, 375, 383, 390, 390T, 393, 396, 398, 399, 670, 690, 698, 699, 1085, Ind. 20, 20C, 20D, 20E, 20F, 30, 30B, 30D, 30E, 31, 40, 40B, 40E, 50C, 50D, 50E
3a	S.03343 Valve Chamber - Bare Casting No Valves	188471M1	MF 35, 35UK, 50, 65, 135, 165, 175, Ind. 35 Turf & Utility, 2135
3a	S.03344 Valve Chamber - Bare Casting No Valves - MKI	897491M1	MF 135, 135UK, 150, 165, 165UK, 175, 175UK, 178, 180, Ind. 30, 40, 2135, 3165
3a	S.17370 Valve Chamber - Bare Casting No Valves - MKII	1868734M3	MF 135, 150, 165, 175UK, 178, 180, Ind. 20, 30, 40, 2135, 3165
3a	S.40851 Valve Chamber - Bare Casting No Valves - MKIII	1868435M3	MF 135, 135UK, 150, 165, 165UK, 175, 180, 230, 231, 235, 240, 245, 250, 253, 255, 261, 265, 270, 275, 282, 283, 283 Brazil, 283UK, 285, 290, 298, 360, 362, 375, 383, 390, 390T, 393, 396, 398, 399, 670, 690, 698, 699, 1085, Ind. 20, 20C, 20D, 20E, 20F, 30, 30B, 30D, 30E, 31, 40, 40B, 40E, 50C, 50D, 50E
4	S.17014 Plug - Valve Chamber - MKI	181999M1	MF 135, 135UK, 150, 165, 165UK, 175, 175UK, 178, 180, Ind. 30, 40, 2135, 3165
4	S.42008 Plug - Valve Chamber - MKII	888700M1	MF 135, 150, 165, 175UK, 178, 180, Ind. 20, 30, 40, 2135, 3165

These parts are Sparex parts and are not manufactured by the Original Equipment Manufacturer. Original Manufacturers names, part numbers and descriptions are quoted for reference purposes only and are not intended to indicate that our replacement parts are made by the Original Equipment Manufacturer.

MF7

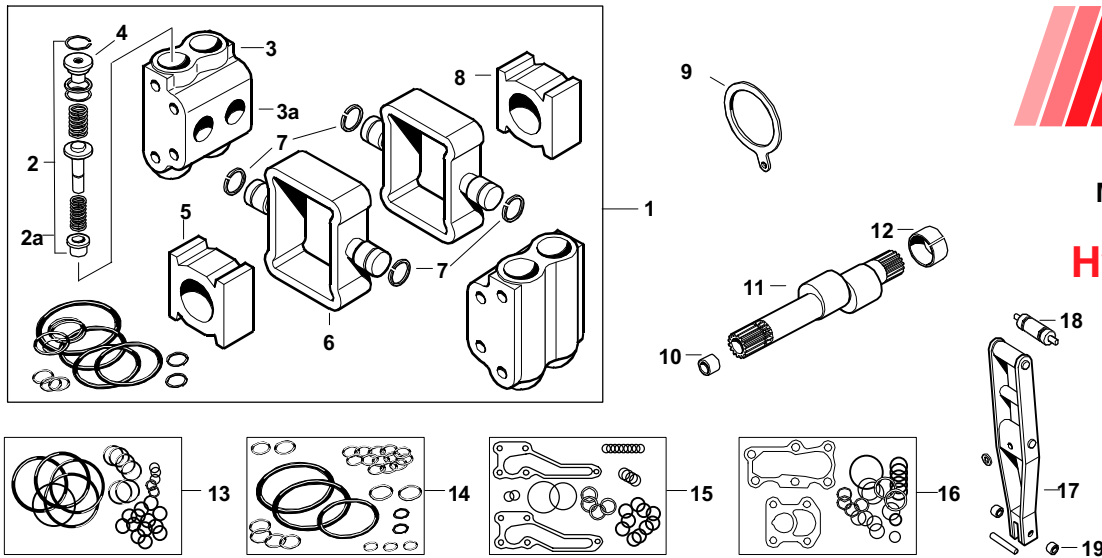
Sparex Replacement
Massey Ferguson Parts

Hydraulic Pump Repair Kits and Related Components



SPAREX No.	DESCRIPTION	EQUIVALENT	TRACTOR MODEL
4 S.17334	Plug - Valve Chamber - MKIII	1868741M1	MF 135, 135UK, 150, 165, 165UK, 175, 180, 230, 231, 235, 240, 245, 250, 253, 255, 261, 265, 270, 275, 282, 283, 283 Brazil, 283UK, 285, 290, 298, 360, 362, 375, 383, 390, 390T, 393, 396, 398, 399, 670, 690, 698, 699, 1085, Ind. 20, 20C, 20D, 20E, 20F, 30, 30B, 30D, 30E, 31, 40, 40B, 40E, 50C, 50D, 50E
5 S.40857	Cam Block - Front w/ Lip (Bronze)	180924M2 894607M1	MF 35, 35UK, 50, 65, 135, 135UK, 150, 165, 165UK, 175, 175UK, 178, 180, 230, 231, 235, 240, 245, 250, 253, 255, 261, 265, 270, 275, 282, 283, 283 Brazil, 283UK, 285, 290, 298, 360, 362, 375, 383, 390, 390T, 393, 396, 398, 399, 670, 690, 698, 699, 1085, Ind. 20, 20C, 20D, 20E, 20F, 30, 30B, 30D, 30E, 31, 35 Turf & Utility, 40, 40B, 40E, 50C, 50D, 50E
6 S.60031	Piston - Uses No Rings	181043M1	MF (35 >SN 65684), (MH 50* >SN 516837), Ind. 202*, 204* (*Split Casting Pump)
6 S.03346	Piston (.909" Dia)	190799M1 184470M1	MF 35, (35UK SN 65684>), 50, 65, 135, 150, 165, 175, Ind. 35 Turf & Utility, 202, 204, 2135 (Note: if original piston has no rings, order S.03353X2 ring)
6 S.03345	Piston (.980" Dia) Use Sealing Rings	1860038M1 518475M1 897492M1	MF 135, 135UK, 150, 165, 165UK, 175, 180, 230, 231, 235, 240, 245, 250, 255, 261, 265, 270, 275, 282, 283, 283 Brazil, 283UK, 285, 290, 298, 360, 362, 375, 383, 390, 390T, 393, 396, 398, 399, 670, 690, 698, 699, 1085, Ind. 20, 20C, 20D, 20E, 20F, 30, 30B, 30D, 30E, 31, 40, 40B, 40E, 50C, 50D, 50E, 2135, 3165
7 S.03354	Piston Ring (.980" Piston)	897493M1	Same as Above
7 S.03353	Piston Ring (.909" Piston)	892604M1	MF 35, (35UK SN 65684>), 50, 65, 135, 150, 165, 175, Ind. 35 Turf & Utility, 202, 204, 2135 (Note: if original piston has no rings, order S.03353X2 ring)
8 S.40858	Cam Block - Rear	180925M2	MF 35, 35UK, 50, 65, 135, 135UK, 150, 165, 165UK, 175, 180, 230, 231, 235, 240, 245, 250, 255, 261, 265, 270, 275, 282, 283, 283 Brazil, 283UK, 285, 290, 298, 360, 362, 375, 383, 390, 390T, 393, 396, 398, 399, 670, 690, 698, 699, 1085, Ind. 20, 20C, 20D, 20E, 20F, 30, 30B, 30D, 30E, 31, 35 Turf & Utility, 40, 40B, 40E, 50C, 50D, 50E, 202, 204, 2135, 3165
9 S.41859	Follower - Valve Oscillator	180933M1	Same as Above
10 S.40870	Needle Bearing	1000251M1	Same as Above
11 S.60951	Camshaft - 10 Spline	899154M91 899915M92 1809048M1	MF (135 except w/ .91" Dia Pistons), 135UK, (165UK SN 512656>), (150, 165, 175 except w/ .91" Dia Pistons), (175UK, 178 SN 705963>), 180, 285, 1085, Ind. 20, 30, 31, 40 (2135, 3165 except w/ .91" Dia Pistons)
11 S.41505	Camshaft - 21 Spline	1868544M91 1868544M92 1684620M91	MF 135, 135UK, 150, 165, (165UK Eng SN 130773>), 175, 230, 231, 235, 240, 245, 250, 255, 261, 265, 270, 275, 282, 283, 285, 290, 298, 360, (399 w/ 6.354.4 Eng), 670, 690, 698, 699, Ind. 20, 20C, 20D, 20E, 30, 30B, 30D, 30E, 31, 40, 40B, 40E, 50C, 50D, 50E

These parts are Sparex parts and are not manufactured by the Original Equipment Manufacturer. Original Manufacturers names, part numbers and descriptions are quoted for reference purposes only and are not intended to indicate that our replacement parts are made by the Original Equipment Manufacturer.



Sparex Replacement
Massey Ferguson Parts

Hydraulic Pump Repair Kits and Related Components

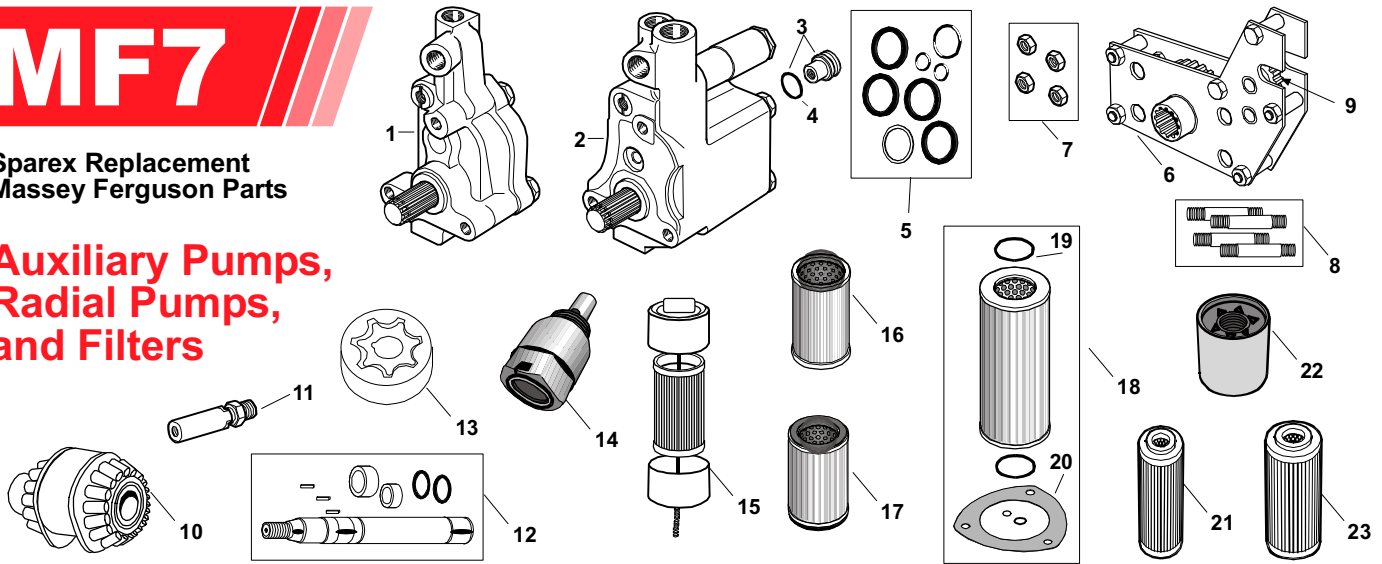
SPAREX No.	DESCRIPTION	EQUIVALENT	TRACTOR MODEL
12	S.40871 Bushing (1 3/8" x 1 5/8" x 7/8")	1865012M1 1664491M2 195949M1	MF 35, 35UK, 50, 65, 135, 135UK, 150, 165, 165UK, 175, 175UK, 178, 180, 230, 231, 235, 240, 245, 250, 253, 255, 261, 265, 270, 275, 282, 283, 283 Brazil, 283UK, 285, 290, 298, 360, 362, 375, 383, 390, 390T, 393, 396, 398, 399, 670, 690, 698, 699, 1080, 1085, Ind. 20, 20C, 20D, 20E, 20F, 30, 30B, 30D, 30E, 31, 35 Turf & Utility, 40, 40B, 40E, 50C, 50D, 50E
13	S.01802 O-Ring Kit	894906M91	MF 35UK
14	S.41502 O-Ring Kit - MKI	1810467M91	MF (135UK >SN 447440), (165UK >SN 136610), 175UK, 178
15	S.40868 O-Ring & Gasket Kit - MKI & II	1810684M91	MF (135UK SN 447440>), (165UK SN 136610>), 175UK, 178
16	S.40869 O-Ring & Gasket Kit - MKIII	1810680M92	MF (240 SN 522354~A20286) (240 SN A20286>), 253, 283UK, 360, 362, 375, 383, 390, 390T, 393, 396, 398, 399, Ind. 20E, 20F, 40E
17	S.41482 Lever - Control Valve	189370M91	MF 35, 35UK, (50, 65 w/ Filter), Ind. 35 Turf & Utility, 202, 204
17	S.42007 Lever - Control Valve - MKI & II	897516M91	MF 135, 135UK, 150, 165, (165UK >SN 136610), 175, 180, 230, (235 w/ 1861320M1 on Lift Cover), 235 Vineyard, (245 w/ 1870955M1 or 884615M1 on Lift Cover), 245 Vineyard, (255 w/ 1861320M1 on Lift Cover), Ind. 20, (20C w/ 1870950M91 or 884612M92 on Lift Cover), 30, 31, 40, 215, 3165
17	S.42011 Lever - Control Valve - MKIII	1868471M91	MF (165UK SN 136610>), 230, 231, (235 except w/ 1861320M1 on Lift Cover & Vineyard), 240, (240 SN 522354~A20286 >SN 26/08/91), (245 except w/ 1870955M1 or 884615M1 on Lift Cover & Vineyard), 250, 253, (255 except w/ 1861320M1 on Lift Cover), 261, 265, 270, 275, 282, 283, 283 Brazil, (285 >SN 9A349239), 290, 298, 360, 362, (375 >SN B18008), (383 >SN 08-1981), (390, 390T, 398 >SN B18008), 399, 670, 690, 698, 699, 1085, Ind. (20C except w/ 1870950M91 or 884612M92 on Lift Cover), 20D, 20E, (20F w/ Horizontal Mounted Relief Valve), 30, 30B, 30D, 30E, (31 w/ 21 Spline Camshaft), 40, 40B, 40E, 50C, 50D, 50E
18	S.41424 Roller	898202M1	MF 135, 135UK, 150, 165, 165UK, 175, 175UK, 178, 180, 230, 231, 235, 240, 240, 245, 250, 253, 255, 261, 265, 270, 275, 282, 283, 283UK, 283 Brazil, 285, 290, 298, 360, 362, 375, 383, 390, 390T, 393, 396, 398, 399, 670, 690, 698, 699, 1085, Ind. 20, 20C, 20D, 20E, 20F, 30, 30B, 30D, 30E, 31, 40, 40B, 40E, 50C, 50D, 50E, 2135, 3165
19	S.60227 Pin & Roller Kit	897599M1x2 897504M1x1	Same as Above

These parts are Sparex parts and are not manufactured by the Original Equipment Manufacturer. Original Manufacturers names, part numbers and descriptions are quoted for reference purposes only and are not intended to indicate that our replacement parts are made by the Original Equipment Manufacturer.

MF7

Sparex Replacement Massey Ferguson Parts

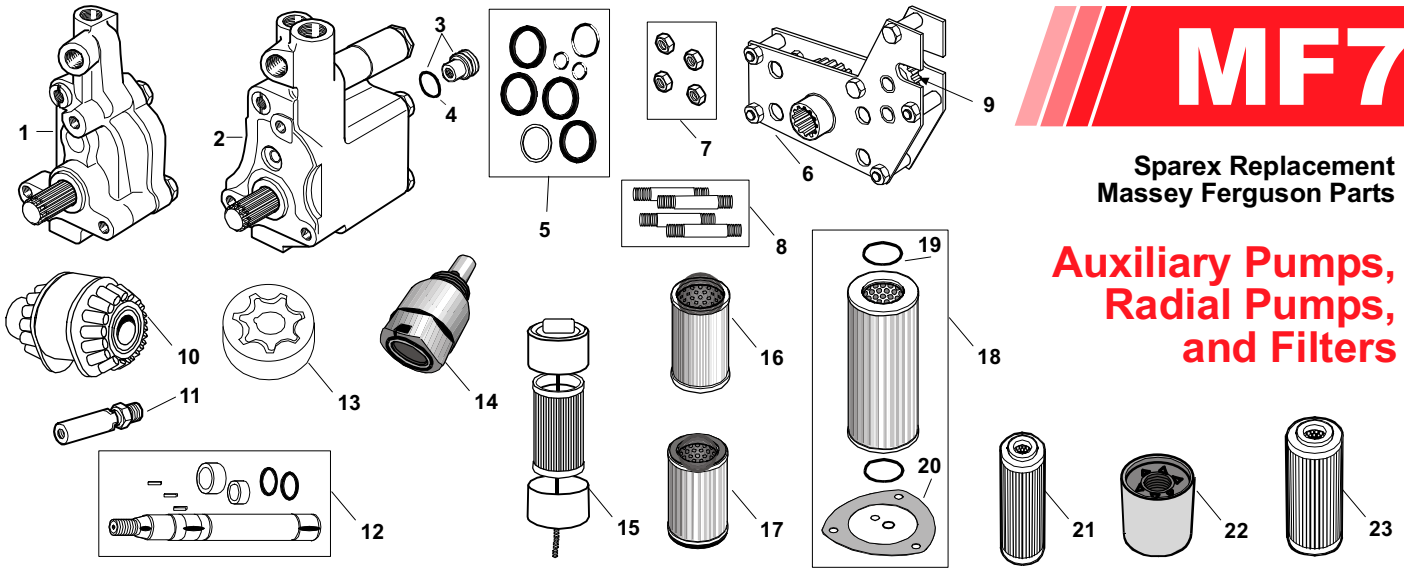
Auxiliary Pumps, Radial Pumps, and Filters



SPAREX No.	DESCRIPTION	EQUIVALENT	TRACTOR MODEL
1	S.40873 Hydraulic Pump less Auxiliary Hyd.	886821M94	MF (135, 150, 165, 175 w/ Rear Axle SN CX5051>), (135UK SN 116248>), (165UK SN 562421>), (175UK, 178 SN 731709>), 235 Vineyard, (240 SN 522354~A20286), (245 Vineyard >SN 9A349239), (245 SN 9A349239>), 255, (265 >SN 9A349239), Ind. 20C, 30, 30E, 31, 40B, 50C, 50D, 50E
2	S.40874 Auxiliary Pump w/ 2 Inlets (Pumps w/ 1 inlet hole order S.60256)	1686766M91 1686765M91 531607M92 526099M93 886367M96	MF 135UK, 165, 165UK, 175, 175UK, 178, 180, 235, (240 SN 522354~A20286), (240 SN A20286>), 245, 250, 253, 255, 265, 270, 275, 283, 285, 290, 298, 670, 690, 698, 699, 1080, 1085, Ind. 20E, 30
3	S.60256 Plug & O-Ring	1664509M1 3000417X1	Same as Above
4	S.01918 O-Ring	3000417X1	Same as Above
5	S.41514 O-Ring Kit - Auxiliary Pump	1633110M91	Same as Above
6	S.60275 Auxiliary Pump Plate Kit 10 Spline - Mounts to Hyd Pump		
6	S.60953 Auxiliary Pump Plate Kit - 21 Spline - Mounts to Hyd Pump		
7	S.60962 Nut w/ Groove - Special Mount to Hyd Pump Plate Kit to Pump (3/8" UNF) 2 used per Kit	1871660M1	
7	S.60961 Nut w/ out Groove - Special Mount to Hyd Pump Plate Kit to Pump (3/8" UNF) 2 used per Kit	1871659M1	
8	S.61529 Stud Kit - Special Mount to Hyd Pump Plate Kit to Pump - 4 per Kit		
9	S.61045 Idler Gear - 22 Teeth	515962M1	Fits: Pump Plate Kits S.60275, S.60953
10	S.61009 Radial Piston Pump Camshaft Assembly	509295M93	MF 1100, 1130, 1105, 1135, 1150, 1155
11	S.17516 Relief Valve	509761M42	MF 1100, 1105, 1130, 1135, 1150, 1155
12	S.61088 Charge Pump Repair Kit 520257M92 Pump, ER12606-2 Eaton		MF 1100, 1105, 1130, 1135, 1150, 1155
13	S.60851 Charge Pump Gear Set (5/8" Std OD) - 520257M92 Pump		MF 1100, 1105, 1130, 1135, 1150, 1155
13	S.60852 Charge Pump Gear Set (5/8" w/ Special .005" oversize OD)		MF 1100, 1105, 1130, 1135, 1150, 1155
13	S.60849 Charge Pump Gear Set (1" Std OD)		MF 1100, 1105, 1130, 1135, 1150, 1155

These parts are Sparex parts and are not manufactured by the Original Equipment Manufacturer. Original Manufacturers names, part numbers and descriptions are quoted for reference purposes only and are not intended to indicate that our replacement parts are made by the Original Equipment Manufacturer.

Auxiliary Pumps, Radial Pumps, and Filters

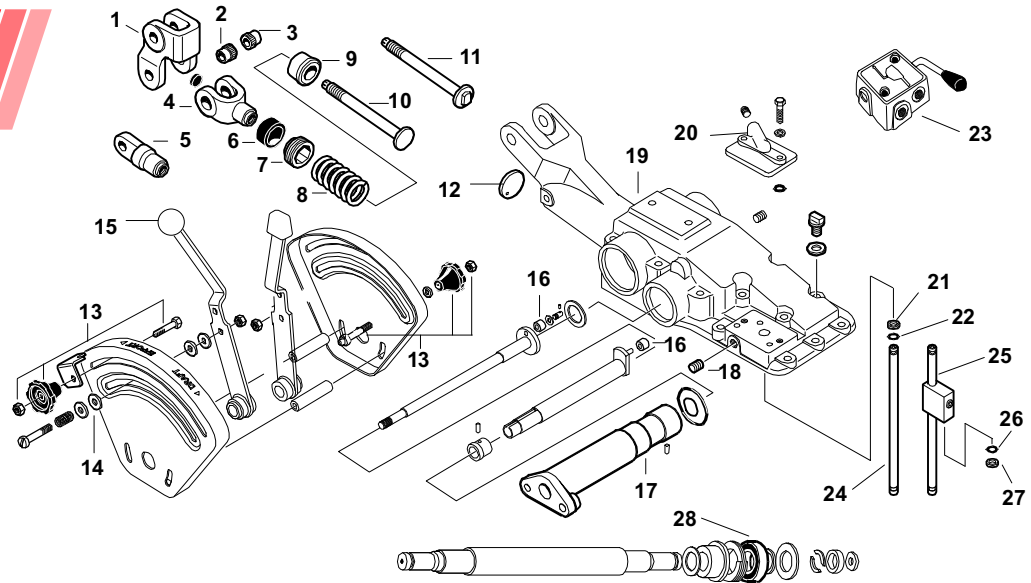


SPAREX No.	DESCRIPTION	EQUIVALENT	TRACTOR MODEL
13	S.60850 Charge Pump Gear Set (1" w/ Special .005" oversize OD)		MF 1100, 1105, 1130, 1135, 1150, 1155
14	S.42240 Relief Valve	3401834M91	MF 283 Brazil, 360, 362, 375, 390, 390T, 393, 396, 398, 399
15	S.42878 Hydraulic Pump Filter Assembly Includes 4" Filter & Metal Can	185839M91 521451M1	MF 35, 50, 65, 135, 150, 165, 175, 180, 245, 1080, Ind. 20, 30, 31, 35 Turf & Utility, 40, 2135, 3165
16	S.41450 Filter Element - Hydraulic Pump (2 9/16"OD, 1 7/8" ID, 4" Ht) Includes Seals - Check Dimensions	185551M93 521451M1	MF 35, 35UK, 50, 65, 85, 88, Super 90, 135, (135UK SN 116248>), 150, 165, (165UK SN 562921>), 175, (175UK SN 731709>), 178, 180, (245 >SN 9A349239), 1080, Ind. 20, 30, 31, 35 Turf & Utility, 40, 202, 204, 2135, 3165
17	S.40859 Filter Element - Hydraulic Pump (2 7/16"OD, 1 5/8-7/16" ID, 3 3/4" Ht) Includes Seals - Check Dimensions	1687042M91 1870199M92	MF 135, 135UK, 150, 165, 165UK, 175, 230, 231, 235, 240, 245, 250, 253, 255, 261, 265, 275, 282, 283UK, 283 Brazil, 285, 360, 362, 375, 383, 390, 390T, 393, 396, 398, 399, 670, 690, 698, 699, 1085, Ind. 20, 20C, 20D, 20E, 20F, 30, 30B, 30D, 30E, 31, 40, 40B, 40E, 50C, 50D, 50E
18	S.40883 Filter Element w/ Gasket & O-Rings (2 5/8"OD, 1 11/16-3/8" ID, 6 5/16" Ht)	1810694M92 1674984M92	MF (240 SN 522354-A20286), (240 SN A20286>), 250, 253, (265 SN 9A349239), 270, 275, 283, 290, 298, 670, 690, 698, 699, Ind. 20E, 30E, 50E
19	S.41460 O-Ring	1007240M91	Same as Above
20	S.41315 Gasket	1660551M1	Same as Above
21	S.76677 Hydraulic Filter	3619594M1	MF (3060, 3065, 3075, 3120T SN D004048>), 6150
22	S.76705 Hydraulic Filter - Spin-on	3619712M1	MF 8120, 8140, 8150, 8160, 3670, 3690
23	S.76707 Hydraulic Filter - Element	3618662M1	MF 8120, 8140, 8150, 8160, 3670, 3690

MF7

Sparex Replacement
Massey Ferguson Parts

Hydraulic Lift Cover and Related Components

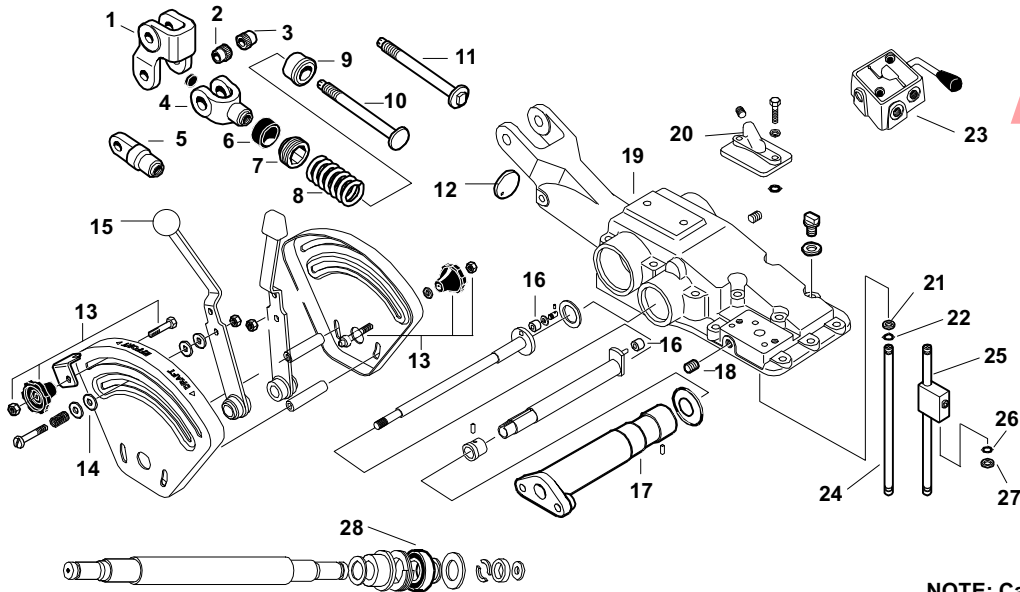


NOTE: Casting number stamped on Lift Cover

SPAREX No.	DESCRIPTION	EQUIVALENT	TRACTOR MODEL
1	S.41364 Rocker	180973M2	MF 35, 35UK, 50, 65, 135, 135UK, 150, 165, (165UK >SN 594969 w/ Normal Duty Lift Arm), (230 >SN 9A349239 w/ 884612M92 Lift Cover Casting), 235, (240 SN A20286>), (245 >SN 9A349239), Ind. 20, (20C w/ 884612M92 Lift Cover Casting), 30, 35 Turf & Utility, 40, 2135, 3165, 202, 204
2	S.41481 Bushing w/ Slotted End - RH	181982M1	MF 35, 35UK, 50, 65, 135, 135UK, 150, 165, (165UK >SN 594969), 175, 175UK, 178, 180, 230, 235, 240, 245, Ind. 20, 20C, 20D, 30, 31, 35 Turf & Utility, 40, 2135, 3165, 202, 204
3	S.41480 Bushing w/ Solid End - LH	180974M1	Same as Above
4	S.41365 Clevis - Draft Control	180972M2	MF 35, 35UK, 50, 65, 135, (135UK >SN 98068), 150, 165, 165UK, 175, 175UK, 178, 180, 230, 235, 240, 245, Ind. 20, 20C, 20D, 30, 31, 35 Turf & Utility, 40, 2135, 3165, 202, 204
5	S.41366 Head - Control Spring	1863389M1	MF 135, (135UK SN 98068>), 165, 165UK, 175, 180, 230, 231, 235, 240 Heavy Duty, 245, 250, 253, 255, 261, 265, 270, 275, 282, 283, 283UK, 283 Brazil, 290, 298, 360, 362, 375, 383, 390, 390T, 393, 396, 398, 399, 670, 690, 698, 699, Ind. 20, 20C, 20E, 20F, 30, 30B, 30D, 30E, 31, 40, 40B, 40E, 50C, 50D, 50E
6	S.41368 Boot - Draft Control	887654M1 180980M1	MF 35UK, 135, 135UK, 150, 165, 165UK, 175, 175UK, 178, 180, 230, 231, 235, 240, 245, 250, 253, 255, 261, 265, 270, 275, 282, 283, 283UK, 283 Brazil, 285, 290, 298, 360, 362, 375, 383, 390, 390T, 393, 396, 398, 399, 670, 690, 698, 699, 1080, 1085, Ind. 20, 20C, 20D, 20E, 20F, 30, 30B, 30D, 30E, 31, 40, 40B, 40E, 50C, 50D, 50E, 2135, 3165, 202, 204
7	S.41369 Nut - Draft Control	180979M2	Same as Above
8	S.41428 Spring - Draft Control	182582M1	MF 35UK, 35UK, 50, 65, 135, 135UK, 150, 165, 165UK, 175, 175UK, 178, 180, 230, 231, 235, 240, 245, 250, 253, 255, 261, 265, 270, 275, 282, 283 Brazil, 360, 362, 375, Ind. 20, 20C, 20D, 20E, 20F, 30, 30B, 30D, 30E, 31, 35 Turf & Utility, 40, 40B, 40E, 50C, 50D, 50E, 2135, 202, 204
9	S.42010 Seat - Control Spring (1.780" ID)	886351M1	MF (135* w/ Rear Axle SN CW999>), (135UK*, SN 98068>), 150*, 165*, 165UK*, (175UK, 178 SN 724330>), (180* w/ Rear Axle SN CW999>), 230, 231, 235, 240, 245, 250, 253, 255, 261, 265, 270, 275, 282, 283, 283UK, 283 Brazil, 285, 290, 298, 360, 362, 375, 383, 390, 390T, 393, 396, 398, 399, 670, 690, 698, 699, 1080, 1085, Ind. 20, 20C, 20D, 20E, 20F, 30, 30B, 30D, 30E, 31, 40, 40B, 40E, 50C, 50D, 50E, 2135, 3165 (*Check ID)

These parts are Sparex parts and are not manufactured by the Original Equipment Manufacturer. Original Manufacturers names, part numbers and descriptions are quoted for reference purposes only and are not intended to indicate that our replacement parts are made by the Original Equipment Manufacturer.

Hydraulic Lift Covers and Related Components



NOTE: Casting number stamped on Lift Cover

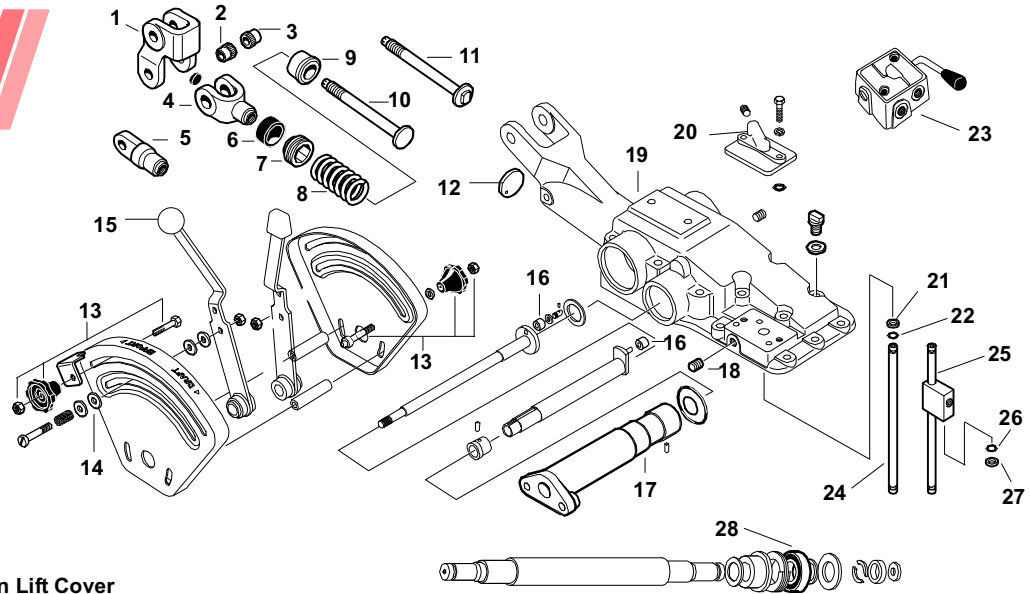
SPAREX No.	DESCRIPTION	EQUIVALENT	TRACTOR MODEL
9	S.41367 Seat - Control Spring (1.880" ID)	182581M1	MF 35, 35UK, 50, 65, (135 >Rear Axle SN CW999), (135UK >SN 98068), 150*, 165*, 165UK*, (175 w/ Rear Axle SN CW999>), (175UK, 178 >SN 724330), (180 >Rear Axle SN CW999), Ind. 35 Turf & Utility, (2135 >SN CW999), 3165*, 202, 204 (*Check ID)
10	S.03350 Plunger - Control Spring (1.865" OD)	182580M1	MF 35, 35UK, 50, 65, Ind. 35 Turf & Utility, 202, 204
11	S.03351 Plunger - Draft Control (1.765" OD)	898136M1 886348M2	MF (135* w/ Rear Axle SN CW999>), (135UK*, SN 98068>), 150*, 165*, 165UK*, (175UK, 178 SN 724330>), (180* w/ Rear Axle SN CW999>), 230, 231, 235, 240, 245, 250, 253, 255, 261, 265, 270, 275, 282, 283, 283UK, 283 Brazil, 285, 290, 298, 360, 362, 375, 383, 390, 390T, 393, 396, 398, 399, 670, 690, 698, 699, 1080, 1085, Ind. 20, 20C, 20D, 20E, 20F, 30, 30B, 30D, 30E, 30E, 31, 40, 40B, 40E, 50C, 50D, 50E, 2135, 3165 (*Check ID)
12	S.42302 Disc - Overload Stop	180981M1	MF 35, 35UK, 50, 65, 135, 135UK, 150, 165, 165UK, 175, 175UK, 178, 180, 230, 231, 235, 240, 245, 250, 253, 255, 261, 265, 270, 275, 282, 283, 283UK, 283 Brazil, 285, 290, 298, 360, 362, 375, 383, 390, 390T, 393, 396, 398, 399, 670, 690, 698, 699, 1080, 1085, Ind. 20, 20C, 20D, 20E, 20F, 30, 30B, 30D, 30E, 31, 35 Turf & Utility, 40, 40B, 40E, 50C, 50D, 50E, 2135, 3165, 202, 204
13	S.41565 Knob & Stud Kit	1860403M1 898201M1	MF 135, 135UK, 150, 165, 165UK, 175, 175UK, 178, 180, 230, 231, 235, 240, 245, 250, 253, 255, 261, 265, 270, 275, 282, 283, 283UK, 283 Brazil, 285, 290, 298, 698, 699, Ind. 20, 20C, 20D, 20E, 20F, 30, 30B, 30D, 30E, 31, 40, 40B, 40E, 50C, 50D, 50E, 2135, 3165
14	S.42222 Nylon Washer (1/4"ID x 7/8"OD x 1/16" Thick)	181041M1	MF 35, 35UK, 50, 65, 135, 135UK, 150, 165, 165UK, 175, 175UK, 178, 180, 230, 231, 235, 240, 245, 250, 253, 255, 261, 265, 270, 275, 282, 283, 285, 290, 298, 360, 362, 375, 383, 390, 390T, 393, 396, 398, 399, 670, 690, 698, 699, Ind. 20, 20C, 20D, 20E, 20F, 30, 30B, 30D, 30E, 31, 35 Turf & Utility, 40, 40B, 40E, 50C, 50D, 50E, 2135, 3165, 202, 204
15	S.42695 Lever - Draft Control	899274M92	MF 135, 135UK, 150, 165, 165UK, 175, 175UK, 178, Ind. 20, 20C, 30, 31, 40, 2135, 3165
16	S.41418 Roller - Draft Control Pressure Control Position Control (1/4"ID x 5/8" OD x 3/8" Thick)	898196M2	MF 135, 135UK, 150, 165, 165UK, 175, 175UK, 178, 180, 230, 231, 235, 240, 245, 250, 253, 255, 261, 265, 270, 275, 282, 283, 283UK, 283 Brazil, 285, 290, 298, 360, 362, 375, 383, 390, 390T, 393, 396, 398, 399, 670, 690, 698, 699, 1080, 1085, Ind. 20, 20C, 20D, 20E, 20F, 30, 30B, 30D, 30E, 31, 35 Turf & Utility, 40, 40B, 40E, 50C, 50D, 50E, 2135, 3165, 202, 204

These parts are Sparex parts and are not manufactured by the Original Equipment Manufacturer. Original Manufacturers names, part numbers and descriptions are quoted for reference purposes only and are not intended to indicate that our replacement parts are made by the Original Equipment Manufacturer.

MF7

Sparex Replacement
Massey Ferguson Parts

Hydraulic Lift Covers and Related Components



NOTE: Casting number stamped on Lift Cover

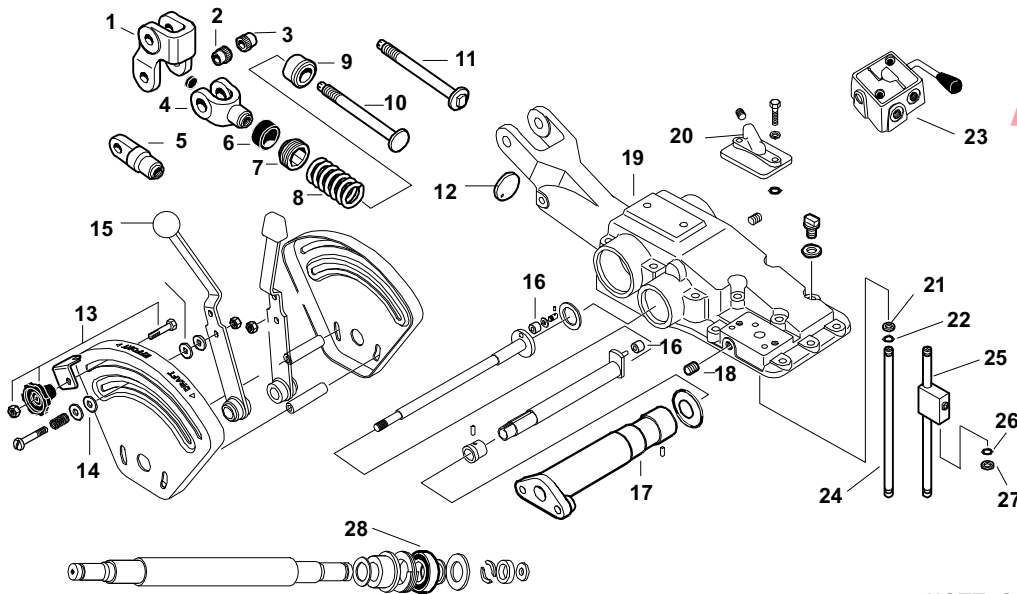
SPAREX No.	DESCRIPTION	EQUIVALENT	TRACTOR MODEL
17	S.42013 Support - Quadrant	1884283M1 898197M1	MF 135, (135UK SN 439191), 150, 165, (165UK SN 132849), 175, 175UK, 178, (230 w/ Lift Cover 884612M92), (235 w/ Lift Cover 1861320M1), (255 w/ Lift Cover 1861320M1), (285 >SN 9A349239), Ind. (20 w/ Lift Cover 1861320M1), (20C w/ Lift Cover 884612M92), (30 except w/ Lift Cover 1870955M1), 31, (40 except w/ Lift Cover 1870955M1), 2135, 3165
17	S.42014 Support - Quadrant Note: Numbers listed are stamped or cast into Lift Covers	1870240M1	MF (135UK SN 439191>), (165UK SN 132849>), (230 w/ Lift Cover 1870952M91), 231, (235 w/ Lift Cover 1870955M1, 1870951M1), 240, (245 w/ Lift Cover 1870951M1), 250, 253, 255, 265, 270, 275, 282, 283, 283UK, 283 Brazil, 290, 298, 360, 362, 375, 383, 390, 390T, 393, 396, 398, 399, 670, 390, 698, 699, Ind. (20 w/ Lift Cover 1870955M1), (20C w/ Lift Cover 1870950M91, 1870950M91), 20D, 20E, 20F, (30 w/ Lift Cover 1870955M1), 30B, 30D, 30E, (40 w/ Lift Cover 1870955M1), 40B, 40E, 50C, 50D, 50E
18	S.40872 Plug - Allen Head (3/8 NPT)	825031M2	
19	S.42293 Lift Cover	1693547M91 3761903M91	MF 231, (240 >SN U42001), 240P, 250*, 261, 270*, 283, 290*, 298*, 670*, 690, 698, 699*, Ind. 20D, 20E, 20F, 30E, 40E, 50E (* Late Production)
20	S.42292 Cap - Lift Cover	180908M1 182373M91	MF 35, 35UK, 50, 65, 135, 135UK, 150, 165, 165UK, 175, 175UK, 178, 180, 230, 231, 235, 240, 245, 250, 253, 255, 261, 265, 270, 275, 282, 283, 285, 290, 298, 360, 362, 375, 383, 390, 390T, 393, 396, 398, 399, 670, 690, 698, 699, Ind. 20, 20C, 20D, 20E, 20F, 30, 30B, 30D, 30E, 31, 35 Turf & Utility, 40, 40B, 40E, 50C, 50D, 50E, 2135, 3165, 202, 204
21	S.40877 Back-up Ring	195874M1	Same as Above
22	S.40876 O-Ring - Standpipe (3/8"ID x 1/16")	195561M1	Same as Above
23	S.60032 Diverter Valve (3/8" NPT)	180908M1	In place of existing cover plate 180908M1. Hydraulic supply continues available for lift arms, or two additional ports are available along with a return tank. Only one supply can be selected at a time with hydraulics isolated in other positions.
24	S.40878 Stand Pipe (1/2" x 12 15/32") O-Rings & Back-up Rings Included	898229M1	MF (135 Check Length), (135UK >SN 79480), (150, 165 less Pressure Control), (165UK >SN 520707), 175 (175UK, 178 >SN 709935), (180 >Rear Axle SN CV6889 less Pressure Control), (230 w/ MKII Pump), (235 w/ Lift Cover Casting #1861320M1 w/out Pressure Control), (240 SN A20286>), 245, 253, 255, 283UK, 285, (360, 362, 375, 382, 390, 390T w/ Low Flow Pump >SN B18009), 1080, 1085, Ind. (20 w/ Lift Cover Casting 1861320M1), 20C, 30, (31 less Pressure Control), 40, 2135, 3165

These parts are Sparex parts and are not manufactured by the Original Equipment Manufacturer. Original Manufacturers names, part numbers and descriptions are quoted for reference purposes only and are not intended to indicate that our replacement parts are made by the Original Equipment Manufacturer.



Sparex Replacement
Massey Ferguson Parts

Hydraulic Lift Covers and Related Components



NOTE: Casting number stamped on Lift Cover

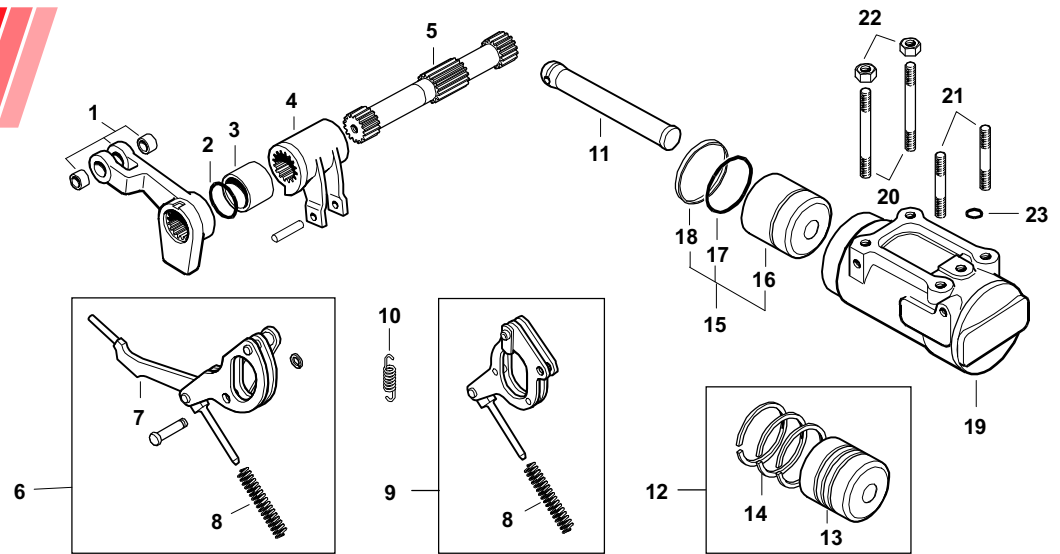
SPAREX No.	DESCRIPTION	EQUIVALENT	TRACTOR MODEL
24	S.40879 Stand Pipe (1/2" x 9 13/16") O-Rings & Back-up Rings Included	1869119M1	MF 165UK , (230 w/ MKII Pump), 231, (235 w/ Lift Cover Casting #1870955M1, 1870951M1), 240, (240 SN 522354~A20286), 245, 253, (255 w/ Lift Cover #1870955M1), 261, 265, 270, 275, 282, 283, 283 Brazil, 290, 298, (360, 362, 375, 383, 390, 390T, 393, 396, 398, 399 w/ High Flow Pump), Ind. (20 w/ Lift Cover Casting 1870955M1), 20C, 20D, 20E, 20F, (30 w/ Lift Cover Casting 1870955M1), 30B, 30D, 30E, (40 w/ Lift Cover Casting 1870955M1), 40B, 40E, 50C, 50D, 50E
25	S.40880 Stand Pipe & Block Assembly O-Rings & Back-up Rings Included	883788M91	MF 135 , (135UK SN 79480>), (150, 165 w/ Pressure Control), (165UK SN 520707>), 175, (175UK, 178 SN 709936>), (180, 235 w/ Pressure Control), 245, Ind. 30, (31 w/ Pressure Control)
26	S.01903 O-Ring - Stand Pipe Block	359291X1	Same as Above
27	S.41314 Back-up Ring - Stand Pipe Block	361160X1	Same as Above
28	S.42160 Seal - Sensing Shaft	1610407M3	MF (2640 >SN K215203) , (2675, 2705, 2745, 2775, 2805 Rowcrop)

These parts are Sparex parts and are not manufactured by the Original Equipment Manufacturer. Original Manufacturers names, part numbers and descriptions are quoted for reference purposes only and are not intended to indicate that our replacement parts are made by the Original Equipment Manufacturer.

MF7

Sparex Replacement
Massey Ferguson Parts

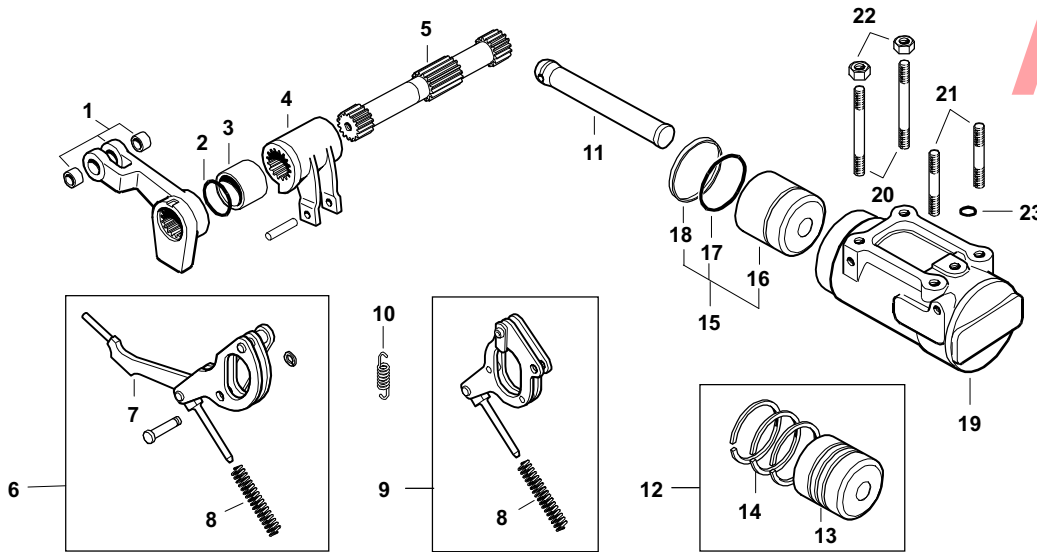
Hydraulic Lift Cylinder and Related Components



SPAREX No.	DESCRIPTION	EQUIVALENT	TRACTOR MODEL
1	S.42171 Lift Arm w/ out Bushings 37 Spline - 5/8" Pin Hole	180910M1	MF 35, 35UK, 135, Ind. 35 Turf & Utility, 2135, 202, 204
1	S.41354 Lift Arm w/ Bushings 51 Spline - 5/8" Pin Hole	885444M91 897575M1	MF 135, 135UK, 165UK, (175 >SN 9A49669), 230, 231, 235, 240, 245, 250, Ind. 20, 20C, 20D, 20E, 20F, 30 Turf, 30E, 40E
1	S.41355 Lift Arm w/ Bushings 7/8" Pin Hole	1680040M91	MF 165UK Heavy Duty, (175, 180 SN 9A49669>), 253, 255, 261, 265, 270, 275, 282, 283, 290, 298, 360, 362, 375, 383, 390, 390T, 393, 396, 398, 399, 670, 690, 698, 699, 1080, 1085, Ind. 30, 30E, 31, 40E, 50C, 50E
2	S.01955 O-Ring - Lift Shaft (2"ID x 3/16")	359136X1 195565M1	MF 35, 35UK, 50, 65, 135, 150, 165, Ind 35 Turf & Utility, 2135, 202, 204 (Check Dimensions)
2	S.01948 O-Ring - Lift Shaft (2 1/8"ID x 1/8")	359136X1	MF 135, 135UK, 150, 165UK, 175, 175UK, 178, 180, 230, 231, 235, 240, 245, 250, (253 > SN P51119), 255, 261, 265, 270, 275, 282, 283, 285, 290, 298, (360, 375, 383, 390, 390T, 398, 399 >Eng SN P51120), 670, 690, 698, 699, Ind. 20, 20C, 20D, 20E, 20F, 30, 30B, 30D, 30E, 31, 40, 40B, 40E, 50C, 50D, 50E, 2135, 3165 (Check Dimensions)
3	S.41425 Bushing - Lift Shaft (2" x 2 3/8" x 1 13/32")	181018M1	MF 35, 35UK, 50, 65, 135, 150, 165, Ind. 35 Turf & Utility, 2135, 202, 204 (Check Dimensions)
3	S.41376 Bushing - Lift Shaft (2 3/16" x 2 3/8" x 2 55/64")	1870934M1	MF 165UK, 230, 231, 235, 240, (240 SN 522354~A20286), 245, 250, (253 >Eng SN P51119), 255, 261, 265, 270, 275, 282, 283, 283 Brazil, (285 w/ Rear Axle SN FH101, FH 593>), 290, 298, (360, 375, 383, 390, 390T, 398, 399 >Eng SN P51120), 670, 690, 698, 699, Ind. (20 w/ Lift Cover Casting 1870955M1), 20C, 20D, 20E, 20F, 30, 30B, 30D, 30E, 40, 40B, 40E, 50C, 50D, 50E
4	S.41446 Lift Arm - 42 Spline (2 1/4" Dia)	180970M2	MF 35, 35UK, 50, 65, 135, 150, 165, Ind. 35 Turf & Utility, 2135, 202, 204 (Check Spline Count & Diameter)
4	S.41470 Lift Arm - 51 Spline (2 3/8" Dia)	897568M1	MF 135, 135UK, 150, 165, 165UK, 230, 231, (235 except Orchard), 240, (240 SN 522354~A20286> Eng SN U42001), (245 except Orchard), 250, 265, Ind. 20, 20C, 20D, 20F, 30E, (40 w/ 3 1/8" Dia Piston), 2135, 3165 (Check spline count, diameter and old casting for number)
4	S.41447 Lift Arm - 51 Spline (2 3/8" Dia - 7/8" Pin Hole)	886404M2	MF 135, 165, 175, (175UK, 178 SN 731776>), (180 w/ Rear Axle SN CW12678>), 230, 235, (245 Orchard w/ Rear Axle SN FF101>), 255, 261, 265, 270, 275, 282, 283, 285, 290, 298, 670, 690, 698, 699, 1080, 1085, Ind. (20 w/ Lift Cover Casting #1870955M1), 20C, 30, 30B, 30D, 31, (40 w/ Lift Cover Casting #1970955M1), 40B, 40E, 50C, 50D, 50E (Check spline count, diameter and old casting for number)
5	S.41356 Shaft - 37 Spline (2 1/4" Dia)	184359M2	MF 35, (35UK >SN 65684), 50, 65, 135, 150, 165, Ind. 35 Turf & Utility, 2135, 202, 204 (Check Spline Count)
5	S.41357 Shaft - 51 Spline (1 hole in end)	897567M3	MF 135, 135UK, 150, 165, 165UK, 175, 175UK, 178, 180, 230, 231, 235, 240, 245, 250, 253, 255, 261, 265, 270, 275, 282, 283, 283UK, 283 Brazil, 285, 290, 298, 360, 362, 365, 375, 383, 390, 390T, 393, 396, 398, 399, 670, 690, 698, 699, Ind. 20, 20C, 20D, 20E, 20F, 30, 30B, 30D, 30E, 40, 40B, 40E, 50C, 50D, 50 (Check Spline Count)

These parts are Sparex parts and are not manufactured by the Original Equipment Manufacturer. Original Manufacturers names, part numbers and descriptions are quoted for reference purposes only and are not intended to indicate that our replacement parts are made by the Original Equipment Manufacturer.

Hydraulic Lift Cylinder and Related Components

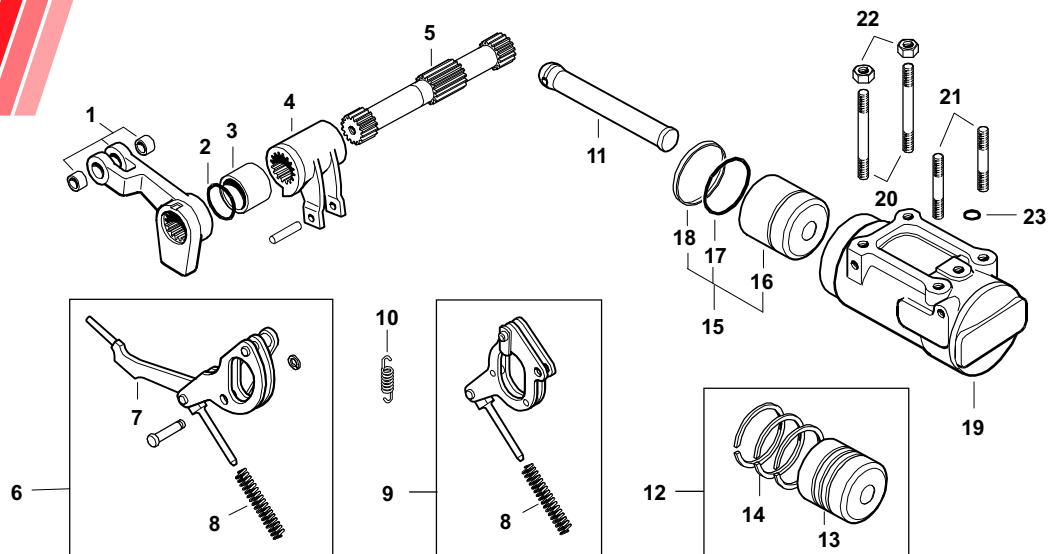


SPAREX No.	DESCRIPTION	EQUIVALENT	TRACTOR MODEL
6	S.41448 Link Assembly - Draft Control	1660324M91 886048M92	MF 135, 135UK, 150, 165, 165UK, 175, 175UK, 178, 180, 230, 231, 235, 240, 245, 250, 253, 255, 261, 265, 270, 275, 282, 283, 283UK, 283 Brazil, 290, 360, 362, 375, 383, 390, 390T, 393, 396, 670, 690, Ind. 20, 20C, 20D, 20E, 20F, 30, 30B, 30D, 30E, 31, 40, 40B, 40E, 50C, 50D, 50E, 2135, 3165
7	S.41560 Rod - Draft Control	898124M1	Same As Above
8	S.42144 Spring	898127M2	MF 135, 135UK, 150, 165, 175, 175UK, 178, 180, 285, 1080, 1085, Ind. 30, 40, 2135, 3165
9	S.41605 Link Assembly - Position Control	1661918M91 898129M91	MF 135, 135UK, 150, 165, 165UK, 175, 175UK, 178, 180, 230, 231, 235, 240, 245, 250, 253, 255, 261, 265, 270, 275, 282, 283, 283UK, 283 Brazil, 290, 360, 362, 375, 383, 390, 390T, 393, 396, 670, 690, Ind. 20, 20C, 20D, 20E, 20F, 30, 30B, 30D, 30E, 31, 40, 40B, 40E, 50C, 50D, 50E, 2135, 3165
10	S.41561 Spring - Draft Control	898137M1	MF 135, 135UK, 150, 165, 165UK, 175, 175UK, 178, 180, 230, 231, 235, 240, 245, 250, 253, 255, 261, 265, 270, 275, 282, 283, 283UK, 283 Brazil, 285, 290, 298, 360, 362, 375, 383, 390, 390T, 393, 396, 398, 399, 670, 690, 698, 699, 1080, 1085, Ind. 20, 20C, 20D, 20E, 20F, 30, 30B, 30D, 30E, 31, 40, 40B, 40E, 50C, 50D, 50E, 2135, 3165
11	S.41445 Rod - Connecting	886410M1	Same as Above
12	S.60948 Piston Assembly Complete (Contains 3 rings) (3 11/16")	516612M91	MF 285, 1080, 1085
13	S.61001 Piston - 3 Ring (not included) (3")	184443M91	MF 35, 35UK, 50, 65, 135, 150, 165, Ind. 35 Turf & Utility, 2135 202, 204
13	S.42173 Piston - 3 Ring (not included) (3 3/8")	899596M91	MF 135, 135UK, 165, 175, 175UK, 178UK, 180, 230, 235, 245, 255, 261, 265, 275, Ind. 20, 20C, 30, 30B, 31, 40, 40B, 50C, 50D
14	S.41848 Ring - (Contains 1 ring) (3")	184447M1	MF 35, 35UK, 50, 65, 135, 150, 165, Ind. 35 Turf & Utility, 2135 202, 204
14	S.41471 Ring - (Contains 1 ring) (3 1/8")	897564M1	MF 135, 135UK, 150, 165, 165UK, 230, 231, 235, 245, (265 >SN 9A349239), 282, Ind. 20, 20C, 30, 40, 2135, 3165
14	S.41472 Ring (Contains 1 ring) (3 3/8")	897597M91	MF 135, 135UK, 165, 175, 175UK, 178UK, 180, 230, 235, 245, 255, 261, 265, 275, Ind. 20, 20C, 30, 30B, 31, 40, 40B, 50C, 50D
15	S.41358 Piston Assembly (3 1/8") Complete w/ O-Ring style Seals installed	1665737M91	MF 230, 231, 240, (245 except Orchard), 250, 265, 282, Ind. 20C, 20D, 20E, 20F, 30E, 40E (Can also replace early 3 ring style piston)
15	S.41359 Piston Assembly (3 3/8") Complete w/ O-Ring style Seals installed	1665738M91	MF 135, 165, 175, 180, 230, 235, 245 Orchard, 255, 261, 265, 270, 275, 283, 290, 298, 670, 690, 698, 699, Ind. 20, 20C, 30, 30B, 30D, 40, 40B, 50, 50C, 50D, 50E, (Can also replace early 3 ring style piston)
15	S.42221 Piston Assembly Complete w/ O-Ring style Seals	1693921M93	MF 253, 383, 360, 362, 375, 383, 390, 390T, 393, 396, 398, 399, Ind. 30E, 40E, 50E

MF7

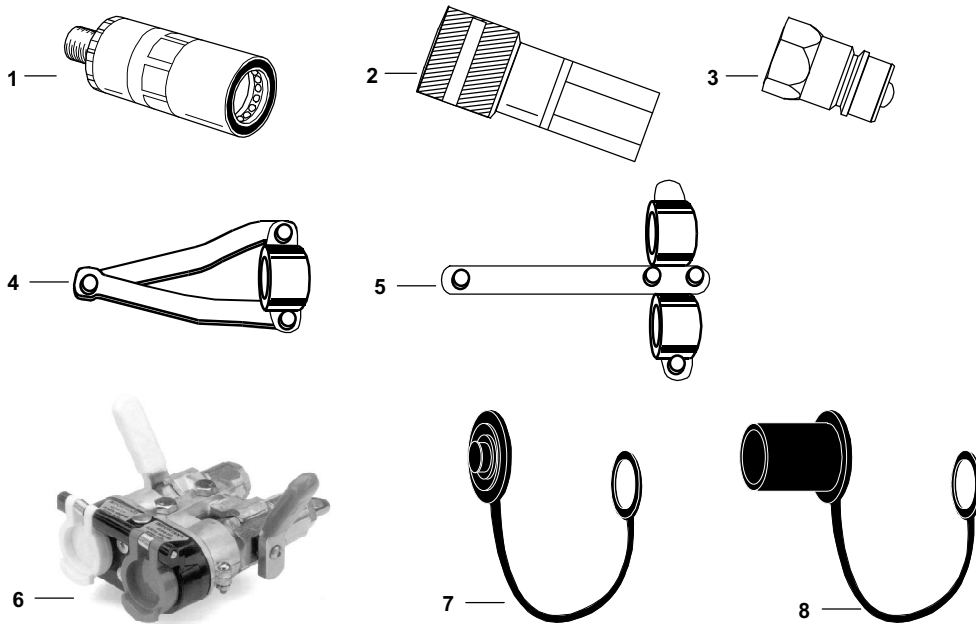
Sparex Replacement
Massey Ferguson Parts

Hydraulic Lift Cylinder and Related Components



SPAREX No.	DESCRIPTION	EQUIVALENT	TRACTOR MODEL
16	S.41360 Piston - less Seals (3 1/8")	1665737M91	MF 230, 231, 240, (245 except Orchard), 250, 265, 282, Ind. 20C, 20D, 20E, 20F, 30E, 40E (Can also replace early 3 ring style piston)
16	S.41361 Piston - less Seals (3 3/8")	1665738M91	MF 135, 165, 175, 180, 230, 235, 245 Orchard, 255, 261, 265, 270, 275, 283, 290, 298, 670, 690, 698, 699, Ind. 20, 20C, 30, 30B, 30D, 40, 40B, 50, 50C, 50D, 50E, (Can also replace early 3 ring style piston)
17	S.41414 O-Ring (3 1/8")	2528202K1	Fits: S.41358
17	S.41415 O-Ring (3 3/8")	2528204K1	Fits: S.41359
17	S.06798 O-Ring	3761473M1	MF 253, 362, 383, 390T, 393, 396, 398, (399 w/ 1006.6 Eng)
18	S.41409 Seal (3 1/8")	2528203K1	Fits: S.41358
18	S.41410 Seal (3 3/8")	2528201K1	Fits: S.41359
18	S.42223 Seal	3761476M1	MF 253, 362, 383, 390T, 393, 396, 398, (399 w/ 1006.6 Eng)
19	S.61000 Cylinder (3") 9/16" fine thd holes Original had 1/2" holes. Lift Cover holes must be enlarged	190859M1	MF (35 SN 232850>), (35UK SN 285030>), (50 SN 533026>), (65 SN 691138>), 135, 150, 165, Ind. 35 Turf & Utility, 2135
19	S.60022 Cylinder (3 1/8")	897560M3	MF 135, 135UK, 150, 165, 165UK, 230, 231, 240, (240 SN 522354~A20286>Eng SN U42001), (245 except Orchard), 250, 265, 282, Ind. 20C, 20D, 20E, 20F, 30E, 40E
19	S.41363 Cylinder (3 3/8")	1671082M1	MF 245 Orchard, 261, 265, 270, 275, 283, 290, 298, 670, 690, 698, 699, Ind. 20C, 30B, 30D, 40B, 40E, 50C, 50D, 50E
19	S.60949 Cylinder (3 11/16")	516571M1	MF 285, 1080, 1085
19	S.42220 Cylinder (3 21/32")	3599859M1	MF 253, 283UK, 360, 362, 375, 383, 390, 390T, 393, 396, 399
20	S.41620 Stud (9/16" x 4" UNF)	899258M1	
21	S.41621 Stud (9/16" x 3" UNF)	899257M1	
22	S.01031 Nut (9/16" UNF)	368749X1	
23	S.01917 O-Ring - Cylinder to Lift Cover	195562M1 359293X1	

These parts are Sparex parts and are not manufactured by the Original Equipment Manufacturer. Original Manufacturers names, part numbers and descriptions are quoted for reference purposes only and are not intended to indicate that our replacement parts are made by the Original Equipment Manufacturer.



Sparex Replacement
Massey Ferguson Parts

Hydraulic Quick Couplers and Related Components

SPAREX No.	DESCRIPTION	EQUIVALENT	TRACTOR MODEL
1	S.03049 Hydraulic Coupler - Female (1/2" NW13 - M22 x 1.5 UNF Male) Push/Pull (Breakaway)	3384874M4 1696241M92 3384873M4	MF 360, 362, 375, 383, 390, 390T, 393, 396, 398, 399, 3090, 3120, 3630, 3650, 3660, 3680
2	4050-2 Hydraulic Coupler - Female (1/4 NPT)		Couples w/ zero pressure on both sides
2	4050-4 Hydraulic Coupler - Female (1/2 NPT)		Couples w/ zero pressure on both sides
2	8250-4 Hydraulic Coupler - Female (1/2 NPT) Must be clamped		Couples w/ pressure on both or either sides
3	4010-2 Hydraulic Coupler - Male (1/4 NPT)		
3	8010-4 Hydraulic Coupler - Male (1/2 NPT)		
4	5001-4 Single Coupler Clamp		
5	5006-4 Dual Coupler Clamp		
6	9500-4 Dual Breakway Kit (1/2 NPT)		Couples/Uncouples w/ pressure on both or either ends
7	5205-2M Rubber Dust Plug - Black		Fits 1/4" Female Coupler
7	5205-4M Rubber Dust Plug - Black		Fits: 1/2" Female Coupler
7	5205-4M-BU Rubber Dust Plug - Blue		
7	5205-4M-GR Rubber Dust Plug - Green		
7	5205-4M-OR Rubber Dust Plug - Orange		
7	5205-4M-PR Rubber Dust Plug - Purple		
7	5205-4M-YE Rubber Dust Plug - Yellow		
8	5209-2M Rubber Dust Cap - Black		Fits 1/4" Male Tip
8	5209-4M Rubber Dust Cap - Black		Fits: 1/2 Male Tip
8	5209-4M-BU Rubber Dust Cap - Blue		Fits: 1/2 Male Tip
8	5209-4M-GR Rubber Dust Cap - Green		Fits: 1/2 Male Tip
8	5209-4M-OR Rubber Dust Cap - Orange		Fits: 1/2 Male Tip
8	5209-4M-PR Rubber Dust Cap - Purple		Fits: 1/2 Male Tip
8	5209-4M-YE Rubber Dust Cap - Yellow		Fits: 1/2 Male Tip

These parts are Sparex parts and are not manufactured by the Original Equipment Manufacturer. Original Manufacturers names, part numbers and descriptions are quoted for reference purposes only and are not intended to indicate that our replacement parts are made by the Original Equipment Manufacturer.