

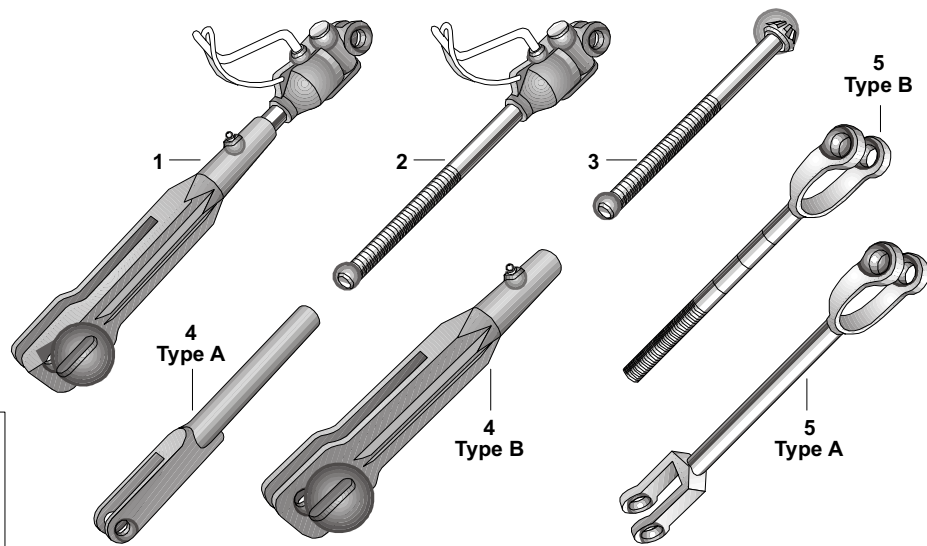
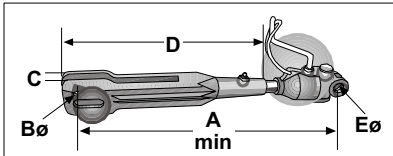
Three Point Linkage and Related Components

- 1-2** — Leveling Box and Related Components
- 3** — Leveling Box Components
- 4** — Lower Link Arms
- 5** — Lower Link Arms and Related Components
- 6** — Top Links and Related Components
- 7** — Stabilizers and Related Components (Drum Brakes)
- 8** — Three Point Pins, Bushings and Stabilizer Pins
- 9** — Stabilizer Assemblies and Related Components
- 10** — Check Chains and Related Components
- 11** — Swinging Drawbar and Related Components
- 12** — Drawbar and Related Components
- 13** — Compact Tractor 3-Point Linkage and Related Components

MF9

Sparex Replacement
Massey Ferguson Parts

Leveling Box and Related Components



TRACTOR MODELS	1 Complete Box Assembly	Dimensions	2 Box & Shaft Assembly	3 Shaft	4 Fork Type A & B	5 Fork Shaft Type A & B
MF 35, MF 35UK, (50 Low Clearance)	S.00575 182642M94	A=20" B=5/8" C=3/4" D=14 3/4" E=5/8"	S.16762	S.00237 185220M1 182641M1 (10 1/8"x 3/4")	S.00392 184358M1 Type A	S.40968 182554M92 Type A
Same as Above					S.00392 184358M1 Type A	S.16020 826410M92 Type B (10.5/8"x 3/4"-5/8"H)
MF (50, 65, 135, 50, 165 Normal Duty - Low Clearance)	S.00572 184347M93 193501M91	A=22" B=5/8" C=5/8" D=14 3/4" E=5/8"	S.16764	S.00234 184354M1 897680M2 1660375M1 (12"x 3/4")	S.00392 184358M1 Type A	S.11316 184350M91 907981M91 1660372M91 Type B (15"x 3/4"-5/8H)
MF (50, 65 Normal Duty - High Clearance) 150 Rowcrop, (165 High Clearance)	S.00576 184346M93 193502M91	A=23" B=5/8" C=11/16" D=14 3/4" E=5/8"	S.16763	S.00238 184353M1 (14 3/8"x 3/4")	S.00392 184358M1 Type A	S.11316 184350M91 907981M91 1660372M91 Type B (15"x 3/4"-5/8H)
MF (165UK Standard Clearance - Heavy Duty)	S.04290 1884760M92	A=20" B=3/4" C=11/16" D=14" E=7/8"	S.16766	S.04286 893563M1 897650M1 1860840M1 (13"x 1")	S.04281 893405M2 Type A	S.11506 893562M91 897655M92 Type B (15 3/8"x 1"-3/4"H)
MF 65, 165, (165UK High Clearance - Heavy Duty), 175, (175UK, Heavy Duty), 178, (253 Standard Clearance), (265 Heavy Duty), (360 Standard Clearance - w/ Footsteps), (362 w/ Footsteps)	S.04291 897649M9	A=21" B=3/4" C=11/16" D=14" E=7/8"	S.16767	S.04288 897651M1 1860833M1 1863885M1 (14 3/4"x 1")	S.04281 893405M2 Type A	
MF (135UK >SN 439191), (230 >SN 9A349239), 245, Ind. 20C, 3165 Turf	S.03233 888628M91	A=19" B=5/8" C=11/16" D=14" E=5/8"	S.16762	S.00237 185220M1 182641M1 (10 1/8"x 3/4")	S.02985 897659M1 Type A	S.11506 893562M91 897655M92 Type B (15 3/8"x 1"-3/4"H)
MF (135UK SN 439191>), (165UK Normal Duty - Standard Clearance), 240, (240* SN 522354~A20286) (240 SN A20286> w/ 34" Lower Link Arms), Ind. 20D (*Except Straddle Axle)	S.16874 897678M93 1660373M92		S.16764	S.00234 897680M2 1660375M1 (12"x 3/4")	S.02985 897659M1 Type A	S.42083 961160M1 Type B
MF (165 Normal Duty - High Clearance), (240 SN 522354~A20286 Straddle Axle), (250 Standard Clearance), Ind. (20E Straddle Axle only), 20F, 30E, (40E w/ Footsteps)	S.16875 897679M93 906309M93		S.16763	S.00238 897681M2 907980M1 1862063M1 (14.3/8"x 3/4")	S.02985 897659M1 Type A	S.11316 184350M91 907981M91 1660372M91 Type B (15"x 3/4"-5/8H)

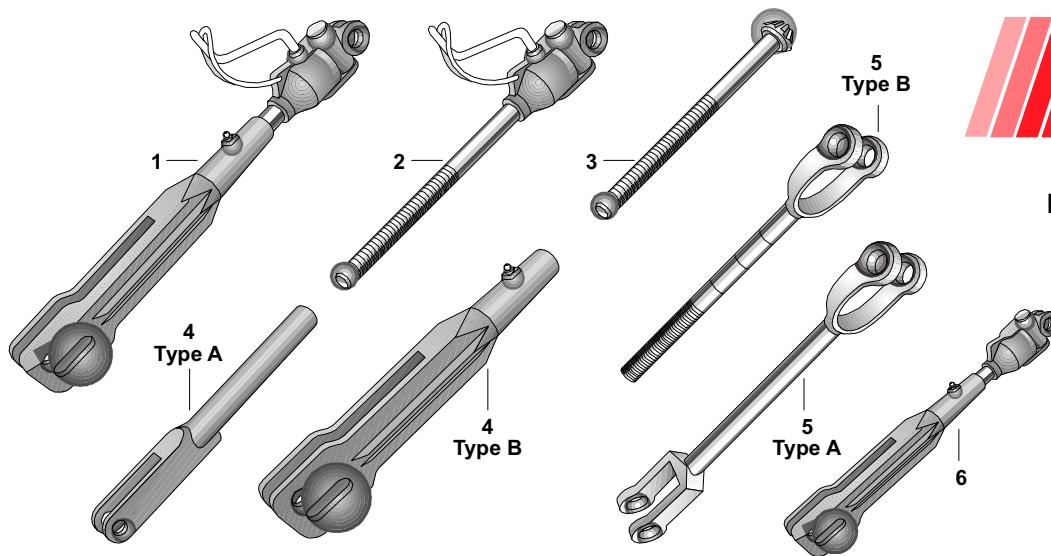
These parts are Sparex parts and are not manufactured by the Original Equipment Manufacturer. Original Manufacturers names, part numbers and descriptions are quoted for reference purposes only and are not intended to indicate that our replacement parts are made by the Original Equipment Manufacturer.



MF9

Sparex Replacement
Massey Ferguson Parts

Leveling Box and Related Components



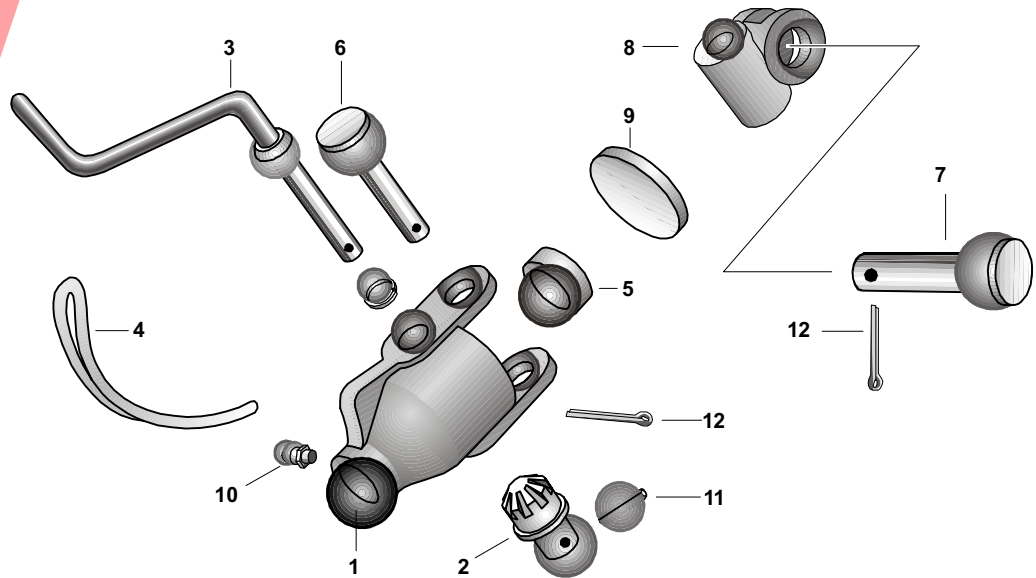
TRACTOR MODELS	1 Complete Box Assembly	2 Box & Shaft Assembly	3 Shaft	4 Fork Type A & B	5 Fork Shaft Type A & B	6 Leveling Yoke Assembly
MF (375 38" Lift Arms w/ Footsteps), (390 SN B18009 - 38" Lift Arms w/ Footsteps)	S.16863 1693987M94		S.65505 1863054M1 (11 3/8"x 1")	S.08625 1861392M2 Type B	S.16021 1863057M91 Type B (11 3/4"x 1"-3/4"H)	
MF (375, 390 40" Lift Arms w/ Footsteps), (390T SN B18009> 40" Lift Arms w/ Footsteps), (398 Rigid Lift Arms w/ Single Assistor Ram), (399 w/ 1006.6 Eng w/ Footsteps)	S.08626 1693985M94	S.16767	S.04288 897651M1 1860833M1 1863885M1 (14 3/4"x 1")	S.08625 1861392M2 Type B	S.16022 1863888M91 Type B (14 1/8"x 1"-3/4"H)	
MF (253 Low Clearance), (360 Low Clearance w/ Footsteps), 283 Brazil, (375, 383, 390, 393 Standard Clearance), (390T Standard Clearance w/ Footsteps)	S.42049 1693990M95 1693989M94		S.04286 893563M1 897650M1 1690402M1 1860840M1 (13"x 1")	S.08625 1861392M2 Type B	S.16022 1863888M91 Type B (14 1/8"x 1"-3/4"H)	
MF (3060, 3065, 3070, 3090 >Eng SN P279011)	S.42054 3382727M93		S.42052 3382726M2	S.42053 3384035M3 Type B	S.42051 3382728M1 Type B	
MF 398, 399	S.74662 1693991M95 3760867M91					
MF 398, 399						S.74666 LH

These parts are Sparex parts and are not manufactured by the Original Equipment Manufacturer. Original Manufacturers names, part numbers and descriptions are quoted for reference purposes only and are not intended to indicate that our replacement parts are made by the Original Equipment Manufacturer.

MF9

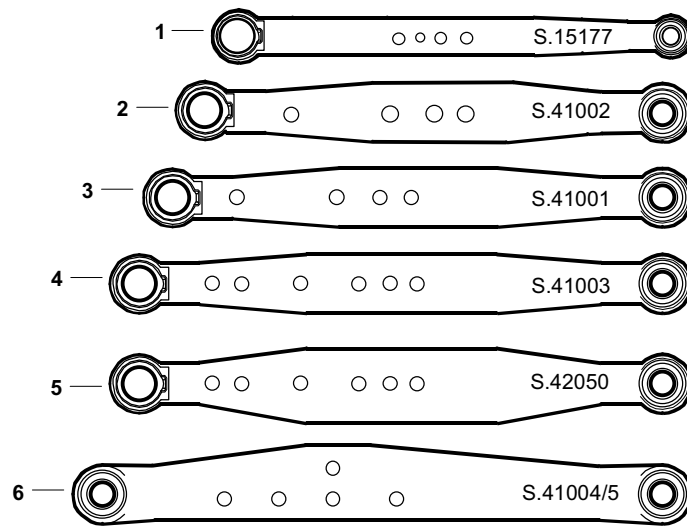
Sparex Replacement
Massey Ferguson Parts

Leveling Box Components



SPAREX No.	DESCRIPTION	EQUIVALENT	TRACTOR MODEL	
1	S.00539	Leveling Box Housing - 3/4"	181344M2 193181M1	To fit all Leveling Boxes with 3/4" Shafts - Excluding Remote Leveling
1	S.04280	Leveling Box Housing - 1"	893561M1 897652M1 1860829M1	To fit all Leveling Boxes with 1" Shafts - Excluding Remote Leveling
2	S.00240	Gear - c/w washer & pin	181345M1	To fit all Leveling Boxes with 3/4" & 1" Shafts
3	S.00225	Handle - Leveling	181349M1 1662382M1	To fit all Leveling Boxes with 3/4" & 1" Shafts - Excluding Remote Leveling
4	S.00536	Retaining Clip - Leveling Handle	193092M1	To fit all Leveling Boxes with 3/4" & 1" Shafts - Excluding Remote Leveling
5	S.00537	Thrust Bearing - 3/4"	195457M1	To fit all Leveling Boxes with 3/4" Shafts
5	S.04284	Thrust Bearing - 1"	831263M1 x 1 183630M1 x 2	To fit all Leveling Boxes with 1" Shafts
5	S.01640	Clevis Pin - Lower (5/8" Diameter)	376399X1	To fit all Leveling Boxes with 3/4" Shafts
6	S.04283	Clevis Pin - Lower (3/4" Diameter)	893567M1	To fit all Leveling Boxes with 1" Shafts - Excluding Remote Leveling
7	S.01640	Clevis Pin - Upper (5/8" Diameter)	376399X1	To fit all Leveling Boxes with 3/4" Shafts
7	S.40952	Clevis Pin - Upper (7/8" Diameter)	893568M1	To fit all Leveling Boxes with 1" Shafts
8	S.01795	Knuckle	1884376M1	To fit all Leveling Boxes with 3/4" Shafts
8	S.04282	Knuckle	897653M2	To fit all Leveling Boxes with 1" Shafts
9	S.00538	Core Plug - 1.75"	195644M1	To fit all Leveling Boxes with 3/4" & 1" Shafts
10	S.00822	Grease Nipple - 1/4"unf Straight	200191M1	To fit all Leveling Boxes with 3/4" & 1" Shafts
11	S.01115	Roll Pin - 3/16" x 3/4"	195648M1	To fit all Leveling Boxes with 3/4" & 1" Shafts
12	S.01501	Split Pin - 4mm x 68mm	354068X1	To fit all Leveling Boxes with 3/4" & 1" Shafts

These parts are Sparex parts and are not manufactured by the Original Equipment Manufacturer. Original Manufacturers names, part numbers and descriptions are quoted for reference purposes only and are not intended to indicate that our replacement parts are made by the Original Equipment Manufacturer.



Sparex Replacement
Massey Ferguson Parts

Lower Link Arms

Small Center Holes= 5/8",
Large Center Holes=3/4"

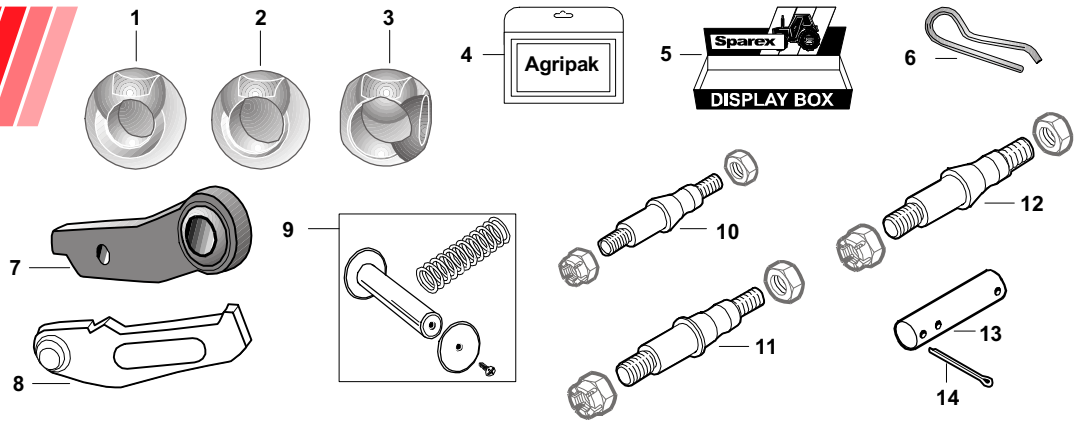
SPAREX No.	DESCRIPTION	EQUIVALENT	TRACTOR MODEL
1	S.15177 Lower Link Arm (32" x 2 1/2" x 5/8") Tractor End Cat 1 Implement End Open For Cat 1: Order: 1xS.01728 Ball: 1xS.01730 Clip For Cat 2: Order: 1xS.01729 Ball: 1xS.01730 Clip	886431M92	MF 135UK (>SN 439191)
1a	S.15175 Lower Link Arm (32" x 2 1/2" x 5/8") Tractor End Cat 1 Includes Cat 1: 1xS.01728 Ball: 1xS.01730 Clip		Same as Above
2	S.41002 Lower Link Arm (34" x 3 1/2" x 3/4") Tractor End Cat 2 Implement End Open For Cat 1 Order: 1xS.01728 Ball: 1xS.01730 Clip For Cat 2 Order: 1xS.01729 Ball: 1xS.01730 Clip	893427M92 1884761M91 1884763M91	MF (65 Low Clearance - Heavy Duty) (165UK Standard Clearance - Heavy Duty >SN 594886)
2a	S.15179 Lower Link Arm (34" x 3 1/2" x 3/4") Tractor End Cat 2 Includes Cat 1: 1xS.01728 Ball: 1xS.01730 Clip		Same As Above
2a	S.15181 Lower Link Arm (34" x 3 1/2" x 3/4") Tractor End Cat 2 Includes Cat 2: 1xS.01729 Ball: 1xS.01730 Clip		Same As Above
3	S.41001 Lower Link Arm (35" x 3 1/2" x 3/4") Tractor End Cat 2 Implement End Open For Cat 1 Order: 1xS.01728 Ball: 1xS.01730 Clip For Cat 2 Order: 1xS.01729 Ball: 1xS.01730 Clip	909811M92 1869289M91	MF (135UK SN 439191>), (240 SN 522354~A20286, SN A20286>), 250, Ind. 20D, 20E*, 20F, 30E, (40E Footstep only) (*Straddle Axle only)
4	S.41003 Lower Link Arm (38" x 3 1/2" x 3/4") Tractor End Cat 2 Implement End Open For Cat 1 Order: 1xS.01728 Ball: 1xS.01730 Clip For Cat 2 Order: 1xS.01729 Ball: 1xS.01730 Clip	893430M93	MF (65 Heavy Duty - High Clearance), (165UK, 175UK, 178 Heavy Duty), (360 w/ Chain Stabilizers)
4a	S.15182 Lower Link Arm (34" x 3 1/2" x 3/4") Tractor End Cat 2 Includes Cat 2: 1xS.01729 Ball: 1xS.01730 Clip		Same As Above
5	S.42050 Lower Link Arm (38" x 4" x 13/16") Implement End Open For Cat 1 Order: 1xS.01728 Ball: 1xS.01730 Clip For Cat 2 Order: 1xS.01729 Ball: 1xS.01730 Clip	1863435M94	MF 261, 362, 375, 282, 390
6	S.41004 Lower Link Arm - LH Fixed Cat 2 (40" x 4" x 13/16") Used w/ Check Chains	1660263M93	MF (375, 390 Standard w/ Single Assistor Ram), (390T Standard), (398 Standard w/ Single Assistor Ram), (399 w/ 1006.6 Eng Standard w/ Single Assistor Ram)
7	S.41005 Lower Link Arm - RH Fixed Cat 2 (40" x 4" x 13/16")	1660262M93	Same as Above

These parts are Sparex parts and are not manufactured by the Original Equipment Manufacturer.
Original Manufacturers names, part numbers and descriptions are quoted for reference purposes only
and are not intended to indicate that our replacement parts are made by the Original Equipment Manufacturer.

MF9

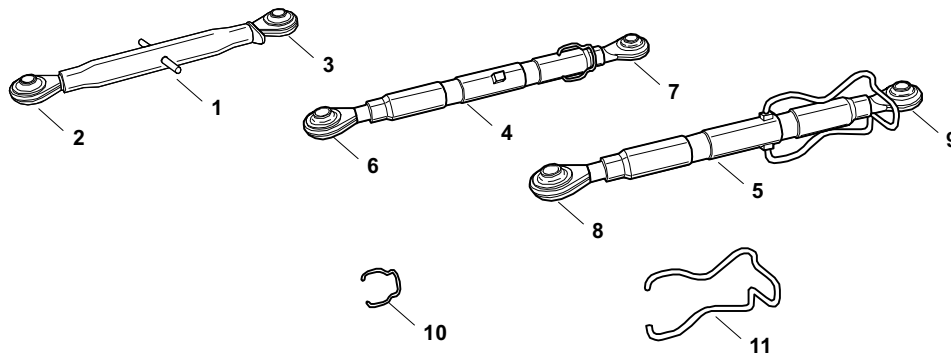
Sparex Replacement Massey Ferguson Parts

Lower Link Arms and Related Components



SPAREX No.	DESCRIPTION	EQUIVALENT	TRACTOR MODEL
1	S.01728 Linkage Ball - Cat 1	886428M1	MF 135UK, 165, 231, 235, 240, 250, 253, 261, 360, 362, 390, Ind. 20D, 20E, 20F, 30E, 40E, 50E
2	S.01729 Linkage Ball - Cat 2	886429M1	Same as Above
3	S.02997 Linkage Ball - Cat 1 & 2	886428M1 886429M1	Same as Above
4	S.04129 Linkage Ball - Cat 1 Agripak - Contains S.01728 x 2		Same as Above
4	S.04130 Linkage Ball - Cat 2 Agripak - Contains S.01729 x 2		Same as Above
4	S.12237 Linkage Balls & Clips - Cat 1 Agripak - Contains S.01728 x 2 S.01730 x 2		Same as Above
4	S.12238 Linkage Balls & Clips - Cat 2 Agripak - Contains S.01729 x 2 S.01730 x 2		Same as Above
4	S.03223 Linkage Ball - Dual Category Agripak - Contains S.02997 x 2	886428M1 886429M1	Same as Above
5	S.03202 Linkage Ball - Dual Category Display - Contains S.02997 x 10	886428M1 886429M1	Same as Above
6	S.01730 Clip - Lift Arm Ball	1869219M1	MF 135UK, 165, 231, 235, 240, 250, 253, 261, 360, 362, 390, Ind. 20D, 20E, 20F, 30E, 40E, 50E
7	S.60024 Lift Arm Forging - LH - Cat 2	184462M92	MF 65, 85, Super 90, 165, 175, 180, 255, 265, 270, 275, 283, 290, 375, 383, 390, 390T, 393, 670, 690, 30, 31, 50E
7	S.60025 Lift Arm Forging - RH - Cat 2	184461M92	Same as Above
8	S.42814 Lift Arm End - RH - Cat 2	503919M91	MF 285, 298, 396, 398, 399, 698, 699, 1080, 1085, 1100, 1130, 1105, 1135, 1150, 1505, 1805
8	S.42815 Lift Arm End - LH - Cat 2	503920M91	Same as Above
9	S.01735 Lock Pin Set - Lower Link (Set Contains: 1 x S.01731, 2 x S.01733, 2 x S.01734 1 x S.01732	188359M1 188148M1 353957X1 491105M1	MF 65, 135, 165, 375, 390, 390T, 690 (To fit models with hinge type lower link ends)
10	S.01700 Shaft - Lift Arm Attaching (5 5/16" Overall)	181229M1	MF 35, 50, 135, (135UK Early Production), 235 Vineyard Ind. (20, 30 Early Production), 35 Turf & Utility, 2135, 3165, 202, 204
11	S.01701 Shaft - Lift Arm Attaching	893419M1 184356M1	MF 65 Normal Duty, 150, 165, 165UK, 175, 175UK, 178, 180, 1080, Ind. 30, 31, 40
12	S.04985 Shaft - Lift Arm Attaching (6 1/8" Overall)	1867851M2	MF (135UK Late Production), 230, 231, (235 except Vineyard), 240, 245, Ind. (20, 30 Late Production), 20C, 20D
13	S.41013 Shaft - Lift Arm Attaching (1 1/8" x 5 1/2")	1867243M1 1695314M1	MF (165UK SN 100001>), 240, 250, 253, 261, 270, 282, 283, 283UK, 290, 360, 362, 375, 383, 390, 390T, 393, 396, 670, 690, Ind. 20E, 20F, 30E, 40E, 50E
14	S.01509 Cotter Pin (5/16 x 5 1/2")	354101X1	MF (165UK SN 100001>), 240, 250, 253, 261, 270, 282, 283, 283UK, 290, 360, 362, 375, 383, 390, 390T, 393, 396, 670, 690, Ind. 20E, 20F, 30E, 40E, 50E

These parts are Sparex parts and are not manufactured by the Original Equipment Manufacturer. Original Manufacturers names, part numbers and descriptions are quoted for reference purposes only and are not intended to indicate that our replacement parts are made by the Original Equipment Manufacturer.



Sparex Replacement
Massey Ferguson Parts

Top Links and Related Components

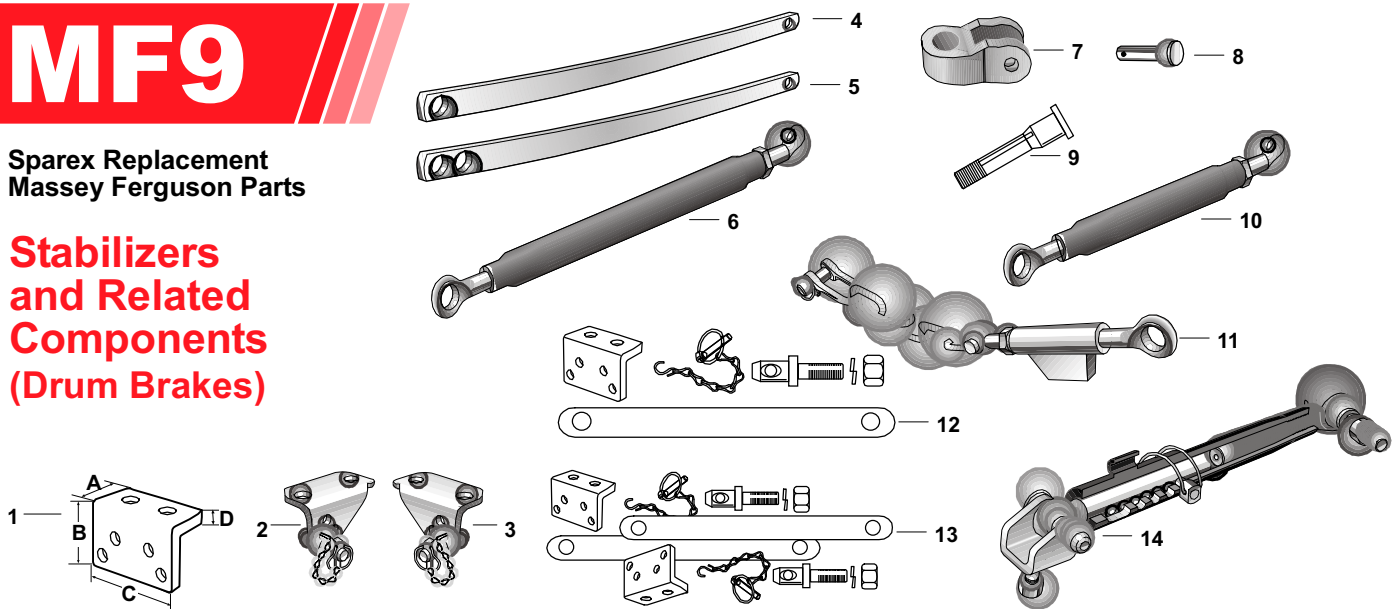
SPAREX No.	DESCRIPTION	EQUIVALENT	TRACTOR MODEL
1	S.49312 Standard Top Link Assembly (16") Cat 1-1 - Gold		
1	S.49316 Standard Top Link Assembly (20") Cat 1-1 - Gold		
1	S.49314 Top Link Assembly (16") Cat 2-2		
1	S.49318 Top Link Assembly (20") Cat 2-2		
2	S.00342 Top Link End - Cat 1 (1 1/8" LH Thread)		
2	S.00346 Top Link End - Cat 2 (1 1/8" LH Thread)		
3	S.00343 Top Link End - Cat 1 (1 1/8"RH Thread)		
3	S.00347 Top Link End - Cat 2 (1 1/8" RH Thread)		
4	S.00584 Top Link Assembly - OEM Style - Cat 1-1 (17 1/4" Center Tube - 1 1/16" UNF) (23" min - 31")	184134M91 1870075M9	
4	S.00585 Top Link Assembly - OEM Style - Cat 1-1 (18 3/4" Center Tube - 1 1/16" UNF) (24" min - 31")	184078M91 1869954M91	
4	S.00586 Top Link Assembly - OEM Style - Cat 1-1 (21 1/2" Center Tube - 1 1/16" UNF) (26" min - 33")	184361M91	
4	S.00589 Top Link Assembly - OEM Style - Cat 1-2 (18 3/4" Center Tube - 1 1/16" UNF) (24" min - 31")	894376M91	
4	S.00588 Top Link Assembly - OEM Style - Cat 1-2 (21 1/2" Center Tube - 1 1/16" UNF) (26" min - 33")	894377M91	
4	S.16066 Top Link Assembly - OEM Style - Cat 2-2 (18 3/4" Center Tube - 1 1/16" UNF) (26" min - 33")	893438M91	
4	S.00587 Top Link Assembly - OEM Style - Cat 2-2 (21 1/2" Center Tube - 1 1/16" UNF) (26" min - 33")	1887285M91 893439M91	
5	S.15347 Top Link Assembly - OEM Style - Cat 2-2 (20 3/4" Center Tube - 1 1/4" UNF) (26" min - 33")	1660050M91	
6	S.00448 Top Link End - Cat 1 (1 1/16" UNF LH Thread)	183619M92	
6	S.00442 Top Link End - Cat 2 (1 1/16" UNF LH Thread)	183615M93	
7	S.00449 Top Link End - Cat 1 (1 1/16" UNF RH Thread)	184079M91	
7	S.00443 Top Link End - Cat 2 (1 1/16" UNF LH Thread)	183623M93	
8	S.15349 Top Link End - Cat 2 (1 1/4" UNF LH Thread)	1660053M91	
9	S.15350 Top Link End - Cat 2 (1 1/4" UNF RH Thread)	1660055M91	
10	S.00439 Lock Clip	183614M2	Fits S.00584, S.00585, S.00589, S.00586, S.00587, S.00588, S.16066
11	S.15351 Lock Clip	1660057M1	Fits S.15347

These parts are Sparex parts and are not manufactured by the Original Equipment Manufacturer. Original Manufacturers names, part numbers and descriptions are quoted for reference purposes only and are not intended to indicate that our replacement parts are made by the Original Equipment Manufacturer.

MF9

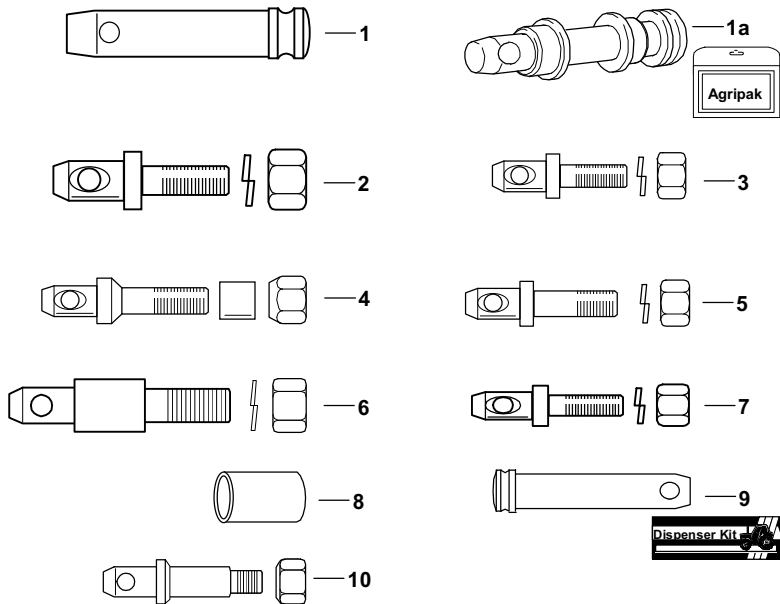
Sparex Replacement
Massey Ferguson Parts

Stabilizers and Related Components (Drum Brakes)



SPAREX No.	DESCRIPTION	EQUIVALENT	TRACTOR MODEL
1	S.42816 Universal Stabilizer Bracket A=2 1/5", B=3 1/2", C=6 11/16, D=25/64"		
2	S.00160 Stabilizer Bracket w/ Chained Linch Pin - LH	181776M91	MF 35, 50, Ind. 20 Turf, 30 Turf, 35 Turf & Utility
3	S.00161 Stabilizer Bracket w/ Chained Linch Pin - RH	181775M91	Same as Above
4	S.00177 Stabilizer Bar (31 1/2" c-c)	181778M1	Same as Above
4	S.61408 Stabilizer Bar (33" c-c)	190582M1	Same as Above
5	S.00178 Stabilizer Bar (31 1/2"-33" c-c)		
6	S.00180 Adjustable Stabilizer Bar (28 1/2"-35") 3/4" Hole one end, 7/8" Hole other end		
6	S.00184 Adjustable Stabilizer Bar (28 1/2"-35") 7/8" Hole both ends, both ends angled		
6	S.00158 Adjustable Stabilizer Bar (28 1/2"-36") 7/8" Hole both ends, 1 end angled		
6	S.60301 Adjustable Stabilizer Bar (28") 5/8" Hole one end, 1" Hole other end		MF (240 SN A20286>), 253, 298, 362, (375 SN B18009>), 383, (390, 390T SN B18009>), 393, 396, 398, (399 w/ 1006.6 Eng), 698, 699, 1505, 1805, Ind. 30
7	S.60446 Knuckle - Stabilizer	514992M2	Same as Above
8	S.01640 Pin - Knuckle (5/8" Dia)	195352M1	Same as Above
9	S.75987 Stabilizer Pin	521006M1	Same as Above
10	S.00185 Adjustable Stabilizer Bar (14 1/2"-17 1/2") 7/8" Hole both ends		
11	S.00175 Chain Stabilizer (32" min -if all chain links used) (5/16" Dia Chain - 7/8" Hole)		
11	S.00176 Chain Stabilizer (32" min -if all chain links used) (15/32" Dia Chain - 7/8" Hole)		
12	S.42842 Stabilizer Kit - for one side Includes: S.42816x1 Bracket, S.00177x1 Bar, S.00169x1 Pin, S.00148x1 Chained Linch Pin		MF 35, 50
13	S.42841 Stabilizer Kit - for both sides Includes: S.42816x2 Bracket, S.00177x2 Bar, S.00169x2 Pin, S.00148x2 Chained Linch Pin		MF 35, 50
14	S.15618 Bar Hole Stabilizer Assembly (18 1/4"-29") Requires 3/4" mounting holes		

These parts are Sparex parts and are not manufactured by the Original Equipment Manufacturer. Original Manufacturers names, part numbers and descriptions are quoted for reference purposes only and are not intended to indicate that our replacement parts are made by the Original Equipment Manufacturer.



MF9

Sparex Replacement
Massey Ferguson Parts

Three Point Pins, Bushings and Stabilizer Pins

Top/Lower Link Categories		
	Top Link	Lower Link
Cat 0	5/8"	5/8"
Cat 1	3/4"	7/8"
Cat 2	1"	1 1/8"
Cat 3	1 1/4"	1 7/16"

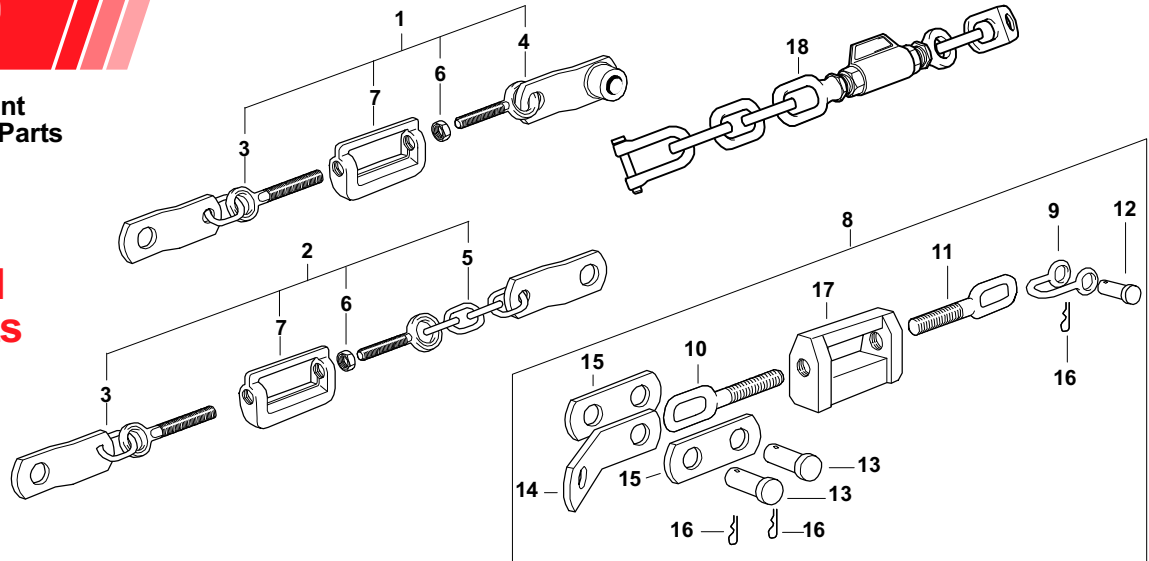
SPAREX No.	DESCRIPTION	EQUIVALENT	TRACTOR MODEL
1	S.00073 Top Link Pin - Cat 1 (2 5/8" Useable)		
1	S.00075 Top Link Pin - Cat 1 (3 3/8" Useable)		
1	S.00074 Top Link Pin - Cat 1 (3 3/4" Useable)		
1	S.00077 Top Link Pin - Cat 1 (4 3/4" Useable)		
1a	S.03872 Top Link Conversion Pin Display Pak - Cat 1-2 Contains: S.00075x1, S.00354x2		
1	S.00079 Top Link Pin - Cat 2 (3" Useable)		
1	S.00081 Top Link Pin - Cat 2 (4 1/16" Useable)		
1	S.00080 Top Link Pin - Cat 2 (5 1/4" Useable)		
2	S.00169 Stabilizer Pin w/ Nut & Washer (5/8" x 1 1/4" Thread) (7/8" Dia Pin x 1/2" Useable)	646101M2 181777M1	MF 35UK, 35, 50, Ind. 20 Turf, 20D, 30 Turf, 202, 204
3	S.00170 Stabilizer Pin w/ Nut & Washer (3/4" x 1 3/8" Thread) (3/4" Dia Pin x 3/8" Useable)	824332M1	
4	S.01719 Stabilizer Pin w/ Bushing & Nut (3/4" x 1 5/8" Thread) (7/8" Dia Pin x 3/8" Useable)	186802M1	MF 65, 85, 88, Super 90, 135, 135UK, 150, 165, 165UK, 175, 180, 235, 245, 255, 265, 270, 283, 283 Brazil, 283UK, 290, 360, 362, 375, 383, 390, 390T, 393, 670, 690, Ind. 30, 31, 50E, 3165
5	S.03371 Stabilizer Pin w/ Nut & Washer (3/4" x 1 7/8" Thread) (7/8" Dia Pin x 3/8" Useable)	183617M1	
6	S.05257 Stabilizer Pin w/ Nut & Washer (3/4" x 1 1/2" Thread) (7/8" Dia Pin x 5/8" Useable)		
7	S.66510 Stabilizer Pin w/ Nut & Washer (7/8" x 1 5/8" Thread x 3 1/8" Overall)	668157M1	
8	S.00353 Top Link Bushing - Cat 1-2		
9	S.02304 Top Link Pin Display Pak - Contains total 30: S.00073x6, S.00109x3, S.00074x6, S.00077x3, S.00079x3, S.00069x3, S.00081x3, S.00080x3		
10	S.60056 Stabilizer Pin w/out Nut (4 3/4" Long x 7/8" Dia.)	1690310M1	MF 250, 253, 360, 375, 390, Others w/ Wide Bracket

These parts are Sparex parts and are not manufactured by the Original Equipment Manufacturer. Original Manufacturers names, part numbers and descriptions are quoted for reference purposes only and are not intended to indicate that our replacement parts are made by the Original Equipment Manufacturer.

MF9

Sparex Replacement
Massey Ferguson Parts

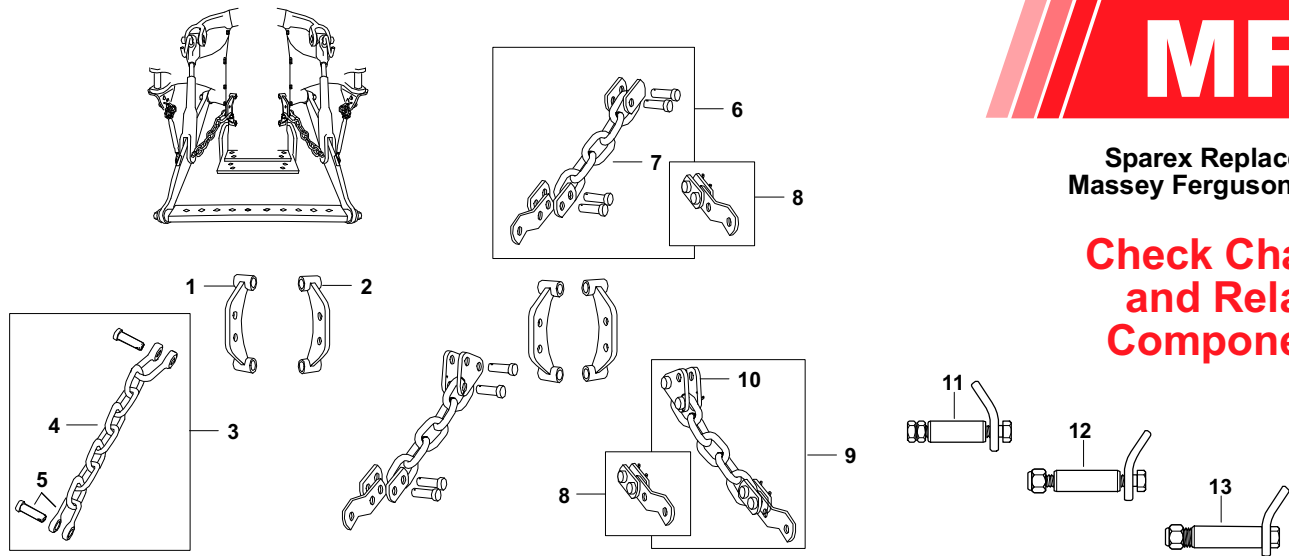
Stabilizer Assemblies and Related Components



SPAREX No.	DESCRIPTION	EQUIVALENT	TRACTOR MODEL
1	S.41037 Stabilizer Chain Assembly (16 1/2" min, 3/4"-7/8")	1863220M93	MF (135UK 32" Lower link arms)
2	S.41303 Stabilizer Chain Assembly (20" min, 5/8"-7/8")	1863260M93	MF (240 SN 522354-A20286, A20286>), Ind. 20D
3	S.41053 Stabilizer Chain Assembly	1863221M91	MF 135, 230, (240 >A20286), 550
4	S.41055 Eyebolt - RH - No Link	1863223M93	MF (135 32" Lower link arms)
5	S.41302 Eyebolt - RH - 4 Links	1863261M93	MF (135 35" Lower link arms), 230, 240, 550
6	S.01073 Nut - 1/2"UNF	343437X1	MF 135, 148, 230, 240, 550
7	S.41058 Turnbuckle	1863222M1	MF 135, 148, 230, 240, 550
8	S.41038 Stabilizer Chain Assembly HD (3/4" Pin, 3/4" Plate Hole 22" min)	1661406M91	
9	S.41050 Shackle	186059M1	
10	S.41054 Eyebolt - LH	1661408M1	
11	S.41056 Eyebolt - RH	1661409M1	
12	S.41386 Pin	529649M1	
13	S.41387 Pin	364491X1	
14	S.41388 Bracket	1867186M1	
15	S.41389 Plate	1661412M1	
16	S.00012 Pin	346161X1	
17	S.41059 Turnbuckle	1661411M1	
18	S.42189 Stabilizer Chain Assembly	3620021M91	Alternative to S.41038 (Ref #8)

These parts are Sparex parts and are not manufactured by the Original Equipment Manufacturer. Original Manufacturers names, part numbers and descriptions are quoted for reference purposes only and are not intended to indicate that our replacement parts are made by the Original Equipment Manufacturer.

Check Chains and Related Components

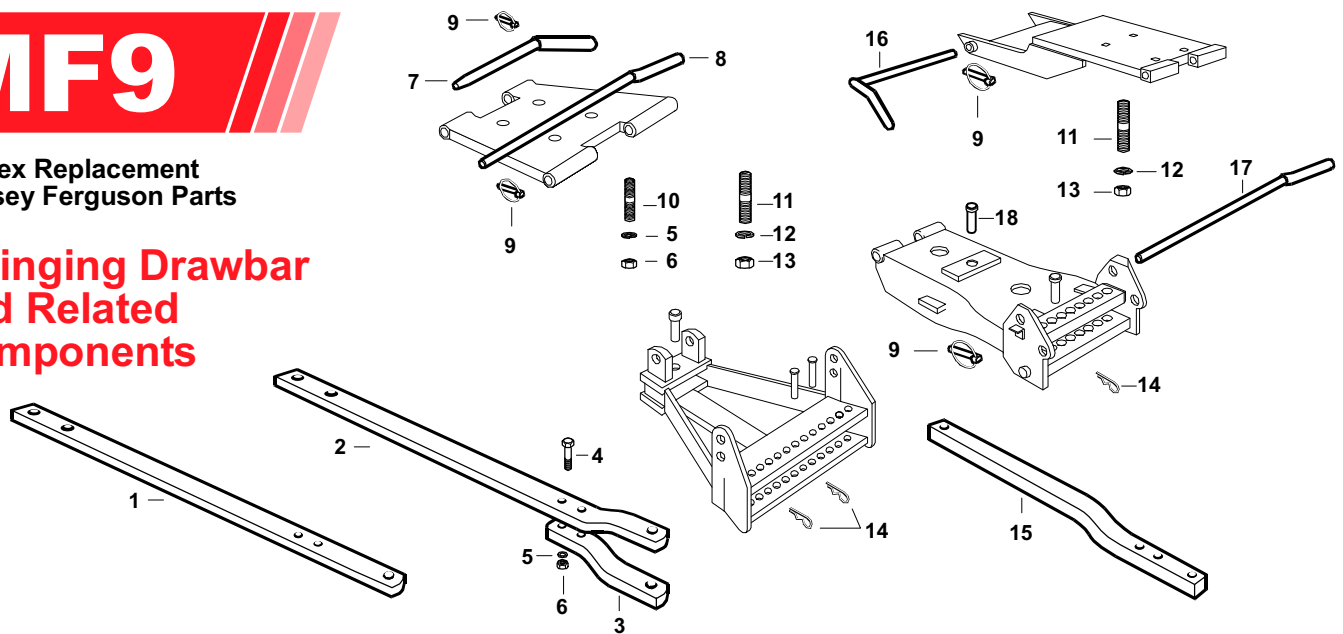


SPAREX No.	DESCRIPTION	EQUIVALENT	TRACTOR MODEL
1	S.42607 Anchor - Check Chain - LH	897911M1	MF (35UK SN 383201>), (135 w/ 1/2" Studs), 135UK, (150 w/ 1/2" Studs), 230, 235, 240, 245, Ind. 20, 20C, 20D, 30 Turf, (2135 w/ 1/2" Studs), 3165
2	S.42518 Anchor - Check Chain - RH	897912M1	Same as Above
3	S.41046 Check Chain Assembly (5/16" Clevis Pin, 7 Links - 5/16")		
3	S.00064 Check Chain Assembly (3/8" Clevis Pin, 7 Links - 5/16")		
4	S.00066 Chain (7 Links - 5/16")		
5	S.41049 Clevis w/ Pin (5/16")		
5	S.00062 Clevis w/ Pin (3/8")		
6	S.42061 Check Chain Assembly (5 Links - 3/8")		
6	S.42071 Check Chain Assembly (5 Links - 1/2")		
7	S.00068 Check Chain (5 Links - 3/8")		
7	S.41047 Check Chain (5 Links - 1/2")		
8	S.01791 Bracket Assembly (Includes: Bracket x1, Plates x2, Clevis Pins x2)		
9	S.42072 Check Chain Assembly		MF 283 Brazil, 375, 390, 390T, (396 w/ 39" Lift Arms)
10	S.71131 Triangular Plate	1863902M1	Same as Above
11	S.01080 Eyebolt Assembly (2 1/2" Useable, 5/8" Dia Bushing, 3/8" Clevis Hole)		
12	S.01083 Eyebolt Assembly (2 3/4" Useable, 5/8" Dia Bushing, 3/8" Clevis Hole)		
13	S.61019 Eyebolt Assembly (2 5/16" Useable, 5/8" Dia Bushing, 5/16" Clevis Hole) Fixed Bracket		

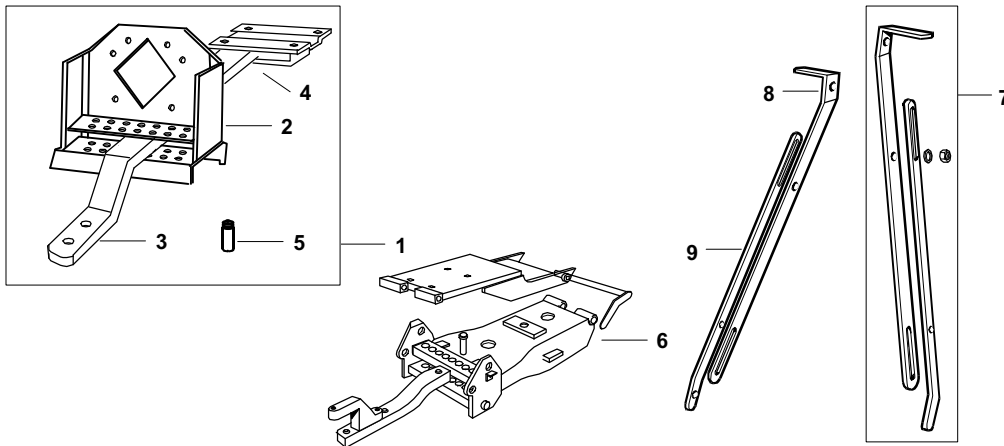
MF9

Sparex Replacement
Massey Ferguson Parts

Swinging Drawbar and Related Components



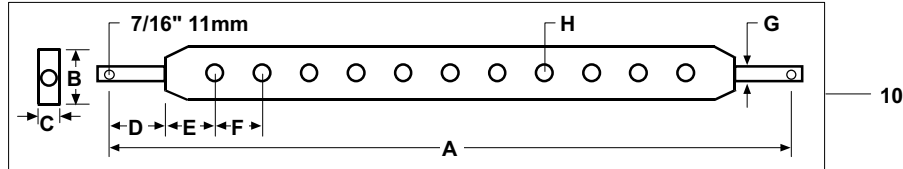
SPAREX No.	DESCRIPTION	EQUIVALENT	TRACTOR MODEL
1	S.41018 Drawbar - Straight (33 1/2" Long, 3-1" Holes, 2-5/8" Holes, 15/16" Thick)	189344M1	MF 35, 50, 65, 135, 150, 165, 175
2	S.42983 Drawbar - Bent	872149M1	MF 35UK, 135UK, 165UK, 175UK, 178
3	S.41019 Clevis		
4	S.04913 Bolt (5/8" x 3" UNF)		
5	S.01033 Lockwasher (5/8")		
6	S.01002 Nut (5/8" UNF)		
7	S.01712 Drawbar Pin (3/4" x 7 11/16" Useable)	883876M91	MF 35UK, 135UK, 165UK, 175UK, 178
8	S.01711 Drawbar Pin (3/4" x 13" Useable)	883877M91	MF 35UK, 135UK, 165UK, 175UK, 178
9	S.00037 Linch Pin (1/4")		MF35UK, 135UK, 165UK, 175UK, 178
10	S.01725 Stud - Drawbar Bracket (5/8" x 2 1/8" UNF/UNC)		
10	S.41023 Stud - Drawbar Bracket (5/8" x 2 3/4" UNF/UNC)		
10	S.01726 Stud - Drawbar Bracket (5/8" x 3 3/4" UNF/UNC)		
11	S.01720 Stud - Drawbar Bracket (3/4" x 2 3/4" UNF/UNC)		
12	S.01032 Lockwasher (3/4")		
13	S.01014 Nut - (3/4" UNF)		
14	S.00012 Grip Clip		
15	S.41293 Drawbar - Heavy Duty	1869060M1	MF 375, 383, 390, 390T, 393, 396, 398, (399 w/ 1006.6 Eng), Ind. 40E, 50E
16	S.02732 Drawbar Pin (3/4" x 9 1/2" Useable)	886162M92	Same as Above
17	S.02731 Drawbar Pin (3/4" x 11 1/2" Useable)	886163M91	
18	S.42148 Pin - Drawbar Retaining S.41293 Drawbar	886166M1	



MF9

Sparex Replacement
Massey Ferguson Parts

Drawbar and Related Components



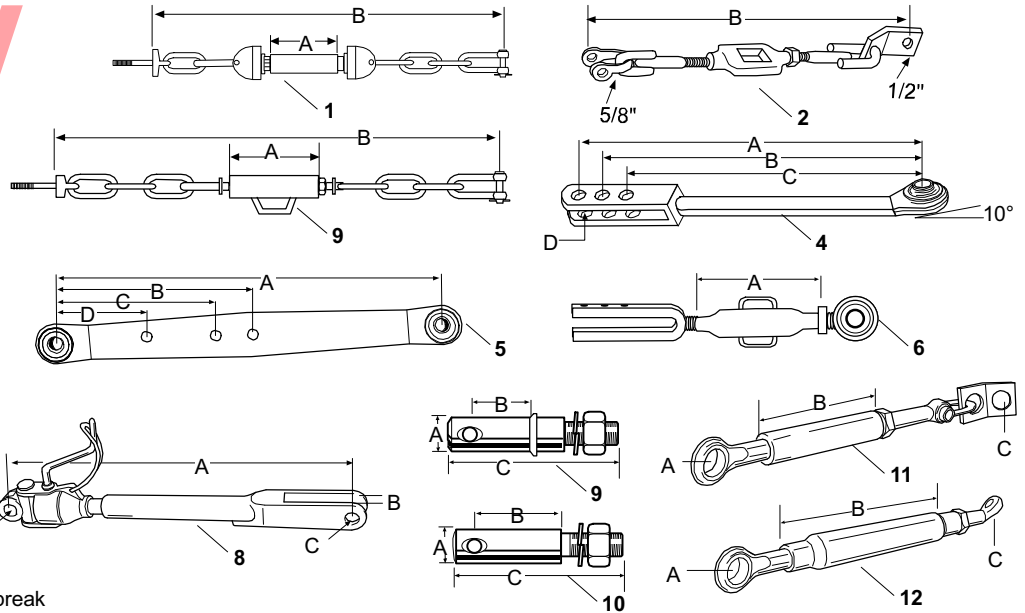
SPAREX No.	DESCRIPTION	EQUIVALENT	TRACTOR MODEL
1	S.60270 Swinging Drawbar Kit (30" Long, 3/4" 1st Hitch Pin Hole 5/8" 2nd Hole)		MF 35, 50
2	S.60272 Hanger		MF 35, 50
3	S.60271 Drawbar		MF 35, 50
4	S.61371 Clevis Assembly w/ Pin		MF 35, 50
5	S.61317 Pin & Clip - Not Original For S.61371 Clevis only		MF 35, 50
6	S.61494 Swinging Drawbar Kit		MF 35, 135, 150, 235, 240, 245, 250, Ind. 202, 203, 204, 205
7	S.41736 Drawbar Stay Assembly - Cat 1	181986M1 181985M1	MF 35, 135UK, (50 Low Clearance), Ind. 20F, 202, 204
8	S.41734 Drawbar Stay - Upper	181986M1	Same as Above
9	S.41733 Drawbar Stay - Lower	181985M1	Same as Above
10	S.00121C Drawbar - Cat 1 A=29 3/4", B=2 3/8", C=1 3/16" D=1 15/16", E=4 1/2", F=2 1/8" G=7/8", 9 Holes @ 25/32"ø		
10	S.00125 Drawbar - Cat 1 A=30 1/8", B=2 1/2", C=1 3/16" D=2 1/16", E=2 3/8", F=2 1/8" G=7/8", 11 Holes @ 25/32"ø		
10	S.00126 Drawbar - Cat 2 A=30 3/4", B=2 1/2", C=1 3/16" D=2 3/8", E=2 3/8", F=2 1/8" G=1 1/8", 11 Holes @ 25/32"ø		
10	S.60155 Drawbar - Cat 2 A=30 3/4", B=3", C=1 1/4" D=2 3/8", E=3", F=2" G=1 1/8", 11 Holes @ 3/4"ø		
10	S.15134 Drawbar - Cat 2 A=36 1/4", B=3 1/8", C=1 3/16" D=2", E=3 1/2", F=3 1/16" G=1 1/8", 9 Holes @ 1 5/16"ø		
10	S.60156 Drawbar - Cat 2 A=36 3/4", B=3", C=1 1/4" D=2 3/8", E=4", F=2" G=1 1/8", 13 Holes @ 3/4"ø		

These parts are Sparex parts and are not manufactured by the Original Equipment Manufacturer. Original Manufacturers names, part numbers and descriptions are quoted for reference purposes only and are not intended to indicate that our replacement parts are made by the Original Equipment Manufacturer.

MF9

Sparex Replacement Massey Ferguson Parts

Compact Tractor 3-Point Linkage and Related Components



*NOTE: Call for details on 20 piece price break

SPAREX No.	DESCRIPTION	EQUIVALENT	TRACTOR MODEL
1	S.70525* Adjustable Stabilizer - A=4 1/4", B=24 1/2" Nut & Lock Washer Included, 10 Links 7/16" Chain		
2	S.60291 Adjustable Stabilizer - B=22" min - 24 3/8" max - Clevis Pin Included		
3	S.52652 Adjustable Stabilizer - A=3 1/2", B=12 1/4" Nut & Lock Washer Included, 3 Links 3/8" Chain		
4	S.70512* Non-Adjustable Leveling Rod - LH A=17 3/4", B=16 3/4", C=15 3/4", D=9/16"		
4	S.70514* Non-Adjustable Leveling Rod - LH A=15 3/4", B=14 1/4", C=12 3/4", D=9/16"		
4	S.52660 Non-Adjustable Leveling Rod - LH A=23 5/8", B=21 7/8", C=20 3/8", D=9/16"		
4	S.60279 Non-Adjustable Leveling Rod - LH A=21 1/2", B=19", C=17 1/2", D=9/16", Straight Head		
5	S.52650 Lift Arm - A=27 1/2", B=6 1/4", 2 1/2" Wide x 5/8" Thick		
5	S.52651 Lift Arm - A=19 1/2", B=6 1/4", 2 1/2" Wide x 5/8" Thick		
5	S.70518* Lift Arm - A=29 1/2", B=6 1/4", 2 1/2" Wide x 5/8" Thick		
5	S.70520* Lift Arm - A=21 1/2", B=9 1/4", C=7 1/4", 2 1/2" Wide x 5/8" Thick		
5	S.70522* Lift Arm - A=23 1/2", B=13 3/4", C=12", D=8 1/2", 2 1/2" Wide x 5/8" Thick		
5	S.70519* Lift Arm - A=25 1/2", B=14 3/4", C=13", D=8 1/2", 2 1/2" Wide x 5/8" Thick		
5	S.60278 Lift Arm - A=32", B=15 1/2", C=11", D=7 1/4" 1 13/16" Wide x 13/16" Thick, 10° Bend each end		
6	S.70549 Adjustable Side Link - Cat 0, A=7 1/2" Center Tube		
7	S.70515* Adjustable Side Link - Cat 1, A=7 1/2" Center Tube		
7	S.70543* Adjustable Side Link - Cat 1, A=9 1/2" Center Tube		
7	S.70517* Adjustable Side Link - Cat 1, A=11 1/2" Center Tube		
8	S.60288 Leveling Box w/ Fork - A=19 1/2" min - 25 1/2" max, B=13/16", C=5/8", D=13/16"		
8	S.70587 Leveling Box w/ Fork - A=16 1/2" min - 21" max, B=7/8"		
9	S.70544 Lift Pin - A=3/4", B=1 5/8", C=4 5/16", D=16mm		
10	S.70545 Lift Pin - A=3/4", B=1 11/16", C=3 9/16", D=12mm		
11	S.00173 Short Stabilizer Bar - Zinc A=7/8" (12°), B=6", C=7/8" (12°), Thread Dia=1"ø		
12	S.00185 Short Stabilizer Bar - Red A=7/8" (12°), B=9 5/8", C=7/8" (12°), Thread Dia=3/4"ø		