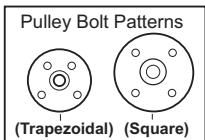
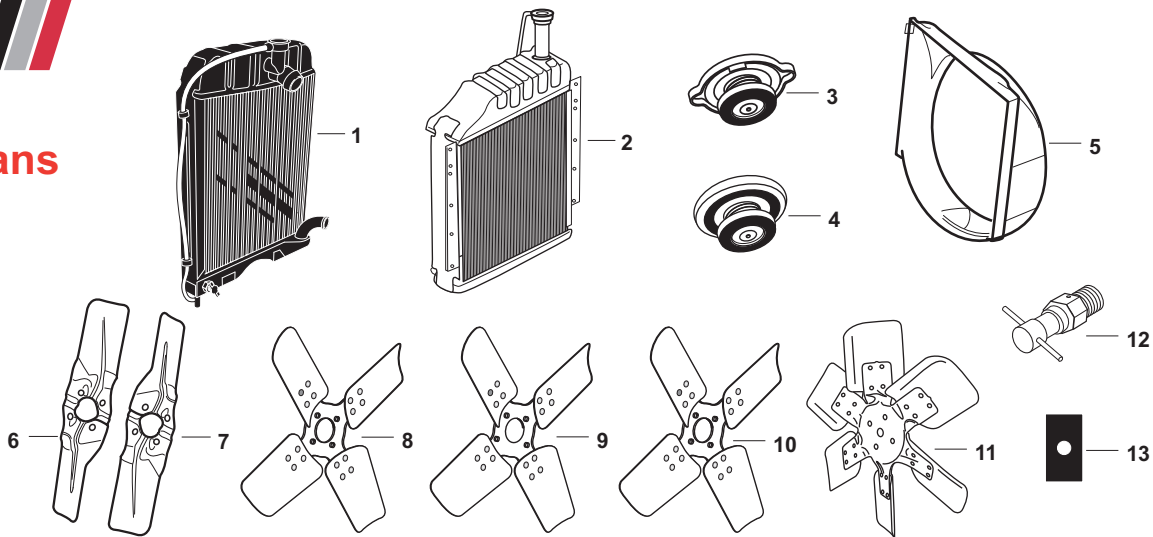


Radiators, Fans and Related Components

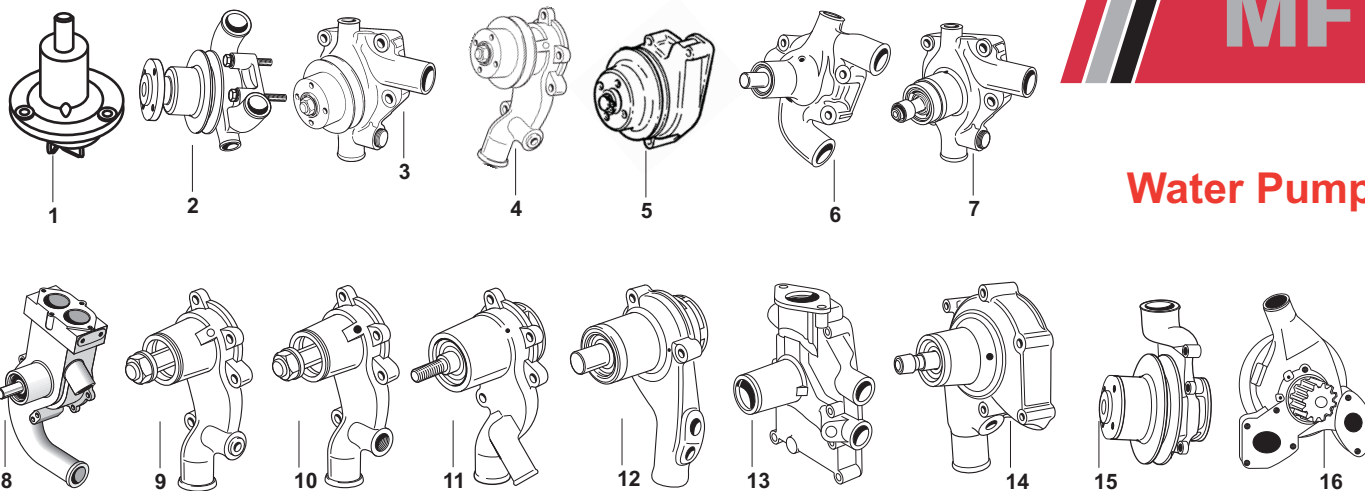


OUR #	DESCRIPTION	EQUIVALENT	TRACTOR MODEL
1	R61815 Radiator	186732M91 894319M2	MF 35 Diesel, MF35 UK, w/ A3.152 Diesel, MF203, 205
1	R40095 Radiator	194275M93	MF 135 (w/ AG3.152 Gas, AD3.152 Diesel), MF 135 w/ Continental Engine, Ind. MF20 Diesel, 2135 Diesel
1	R40097 Radiator	1680547M91	MF 240, 250, Ind. 20D, 20E, 30E, 30H, 40E (2 WD only)
1	R42475 Radiator w/ Cap	885579M3	MF 178 UK (SN 724936>)
1	R42196 Radiator w/ Cap	669650M94	MF 270, 283, 283 UK, 290, 670, Ind. 50E
1	R42655 Radiator w/ Cap	1695721M2	MF 375, 383, 390, 390T, 393, 398, 399 w/ A6-354.4 Engine
2	R42776 Radiator	529684M91	MF 1105, 1135
3	R41517 Cap	180224M91 184528M91	MF 35, 50 Gas (>SN 523360), MF50 Diesel, 65 Diesel, 85 Diesel, 88, 90, Super 90, 135, 150, 165 w/ Continental, 165 Perkins Gas (>SN 9A67215), 165 Diesel, 175 w/ Continental, 175 Perkins Gas (>SN 9A67215), 175 Diesel, 180, 670, 690, 698, 2640, Ind. 20, 30, 31, 35 Utility, 40, 202, 203, 204, 205, 2135, 2200, 2500 Forklift, 3165, 4500, Forklift, 6500 Forklift
3	R41518 Cap	531505M91	MF 230, 235, 245, 255, 265, 275, 285, 1080, 1085, 1100, 1105, 1130, 1135, 1150, 1155, 2675, 2705, 2745, 2775, 2805, 20C Turf
3	R08454 Cap (10# Pressure)	3637301M1 885344M1	MF 135 Vineyard (SN 9A1175990>), 135 UK (SN 147024>), 178 UK
3	R08453 Cap (7# Pressure)	826772M93	MF 135 UK (>SN 147024), 165 UK, 175 UK
4	R40012 Cap	1874445M93	MF 231, 240, 250, 261, 270, 283, 283 UK, 290, 298, Ind. 20D, 20E, 20F, 30E, 50E
5	R42579 Shroud (Metal)	1885721M94	MF 231, 240, 250, Ind. 20D, 30E
6	R40005 Fan Blade - Front (15 3/8") (Square Bolt Pattern)	1884777M1	MF 135 UK (SN 152UA5275>), 240, 250, 360, Ind. 20D, 20E, 20F, 30E, 30H, 40E (2 WD)
7	R40006 Fan Blade - Rear (15 3/8") (Square Bolt Pattern)	1884738M1	MF 135 UK (SN 152UA5275>), 240, 250, 360, Ind. 20D, 20E, 20F, 30E, 30H, 40E (2 WD)
8	R41876 Fan (1 3/4" Square Bolt Pattern), 1 5/8" Pilot 5/16" Bolt Holes, (15 3/8")	194046M91	MF 135, 150, 230 (SN 9A349239>), 235, 245 (> SN 9A349239 Std & Vineyard only), 245 (SN 9A349239>) Ind. 20, 20C, 30B, 30D, 40, 2135, 2200 Forklift
9	R60462 Fan (15 3/8") (Trapezoidal Bolt Pattern)	186819M91	MF 35, 50, Ind. 35 & 200 Series
10	R61030 Fan (1 1/4" Square Bolt Pattern), 1 1/16" Pilot 5/16" Bolt Holes (15")	544348M91	MF 230, 235, 245, Ind. 20C, 30B
11	R60268 Fan (16") 1 5/8" Pilot, (1 3/4" Square Bolt Pattern)	1874995M92	MF 174-4S (2-wd >SN WD-132000455, 4-wd >SN WD-232000986), 270, 274-4, 283, 283UK, 290, 294-4, 298, 670, 690, 698, Ind. 50E (Perkins 4.236, 4.248 (5 1/2" OD))
12	R08440 Drain Tap	1851095M2	Perkins Engines
13	R42731 Radiator Mounting Pads	180705M1	MF 135, 230, 231, 235, 240, 245, 250, 253, Ind. 20, 20C, 20D, 20E, 20F, 30E, 40E

We have attempted to insure the accuracy of the information listed and reserve the right for type error.

Some part numbers and manufactures' names are used strictly for reference purpose only
Any prices listed are subject to change without notice and are in U.S. dollars. Not all items are stocking items.

Water Pumps

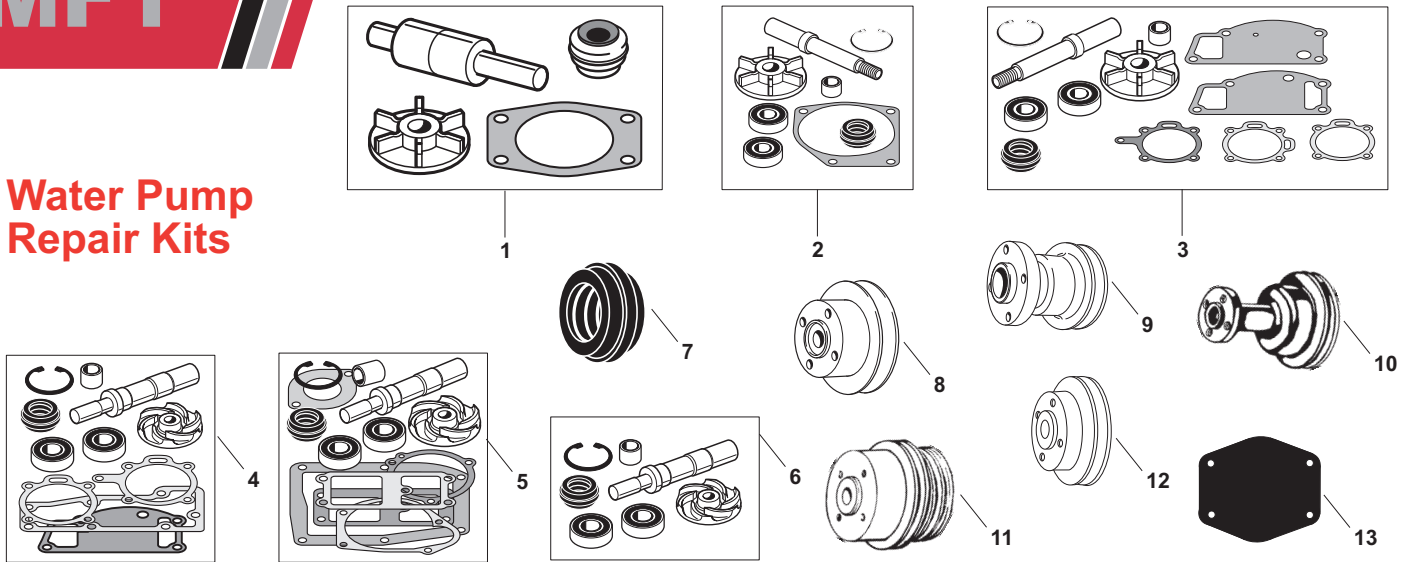


OUR #	DESCRIPTION	EQUIVALENT	TRACTOR MODEL
1 R60099	Water Pump w/ Gasket	830691M91	MF 35 Gas, 40 Gas, 50 Gas, 135 Gas, 150 Gas, 35 Turf & Utility Gas, Ind. 202 Gas, 204 Gas, 2135 Gas, 2200 & 2500 Forklift (Continental Z134, 145 Engine)
2 R60146	Water Pump w/ Pulley & Gasket (Trapezoidal Bolt Pattern)	747542M91 731280M1	MF 35, 50, 135UK (>SN152UA5275D) Ind. 203, 205, (Perkins Diesel 3.152 Engine)
2 R60149	Water Pump w/ Pulley & Gasket (Square Bolt Pattern)	747542M91 735034M1	MF 135, 150, 230, 235, 231, 240, 245, 253, 360, Ind. 203, 205, 20C, 20F, 30B, 2500 Forklift, 154-4, 254-4 (Perkins 3.152 Engine)
3 R60147	Water Pump w/ Pulley & Gasket	740611M91	MF 65 Diesel, 165 Diesel, 255 w/ A4-203 Diesel, Ind. 30 Diesel, 40B, 50A, 304, 3165 Diesel (A4 or AD4.203 Diesel Engine)
4 R60148	Water Pump w/ Pulley & Gasket		MF 165 UK, 175, 185, 255, 265, 270, 275, 290, 670 (Perkins A4.212, A4.236, A4.248)
5 R42429	Water Pump w/ Gasket	748095M91	MF 130 (A4.99, A4.107 Perkins Engines)
6 R40035	Water Pump less Pulley w/ Gasket	747542M91	MF 135 (SN UA33994>), 150 (SN UA33994>), 230 (SN>9A349239), 235, 240, 245 (SN 9A349239>), MF20 Turf (SN152UA18330A> Gas), 20 Turf & Ind. (SN 152UA284396D Diesel), Ind. 20C, 30D, 2500 Forklift (Perkins 3.152 Engine)
7 R40036	Water Pump w/ Gasket	747597M91	MF 65 Diesel, 255 w/ A4.203 Diesel, Ind. 30, 40B, 50, 50A, (U5MW0061) 65 Utility Diesel, 304, 3165 Diesel (A4.203 Engine)
8 R60334	Water Pump w/ Gasket, w/ Duel Belt & Double Thermostats	3641365M91	MF 1100, 1105, 1130 (>SN 354UA3355T), 1135 Doesn't fit .4 Engines (6.354)
8 R42126	Water Pump w/ Gasket	744228M91 3641880M91	MF 399 (w/ A6.354.4), 699, 2640 (w/ A6.354), 2675, 3090, 3505, 3545, 3630, 3650
9 R40037	Water Pump w/ Gasket less Pulley	743064M91	MF 165 (Diesel SN 236UA46714>), 180 (Diesel SN 236UA29814>), 184-4, 255, (w/ A4.236 Diesel), 261, 265, 270, 274-4, 275, 282, 290, 294-4, 374, 384S, 394S, 31, Ind. 50C, 50D, 50F, 50H, 50HX, 60H, 60TLB, 6500 Forklift Diesel (A4.236, A4.248 Engines)
10 R40038	Water Pump w/ Gasket, less Pulley w/ Extra Heater Outlet		As Above
11 R41593	Water Pump, less Pulley w/ Gasket	3637468M91 4222002M91	MF 375, 383 (w/ Build List #LF31141), 390, 390T, 398, 3050, 3060, 3065, 3070, Ind. 50H, 50HX, 60H NOTE: No By-pass Port (Perkins A4.236, AT4.236, A4.248, AT4.248 Eng)
12 R40040	Water Pump w/ Gasket	747650M91 3641363M91 U5MW0009	MF 285 (SN ND31080U519257G>), 298, 540 (Combine A4.318)
13 R40039	Water Pump w/ Gasket 15/16" Dia Shaft	741106M91 U5MW0014 747446M91 3641887M91	MF 1085, 698 (4.318 Engine)
14 R40041	Water Pump w/ Gasket	3641861M91	MF 510 Combine Diesel (6.354 Engine)
15 R42510	Water Pump w/ Pulley & Gasket	3637411M91 1077550M1	MF 261, 374S, 384S, 394S, Ind. 50H, HX, 60H (4.236 Engine)
16 R42316	Water Pump w/ Gasket	3641860M91 3638694M91	MF 396, 399, (w/ 1006.6 Engine), 3120, 3120T, 3140, 3660, 8120 (1006.6 Engine)

We have attempted to insure the accuracy of the information listed and reserve the right for type error.

Some part numbers and manufactures' names are used strictly for reference purpose only Any prices listed are subject to change without notice and are in U.S. dollars. Not all items are stocking items.

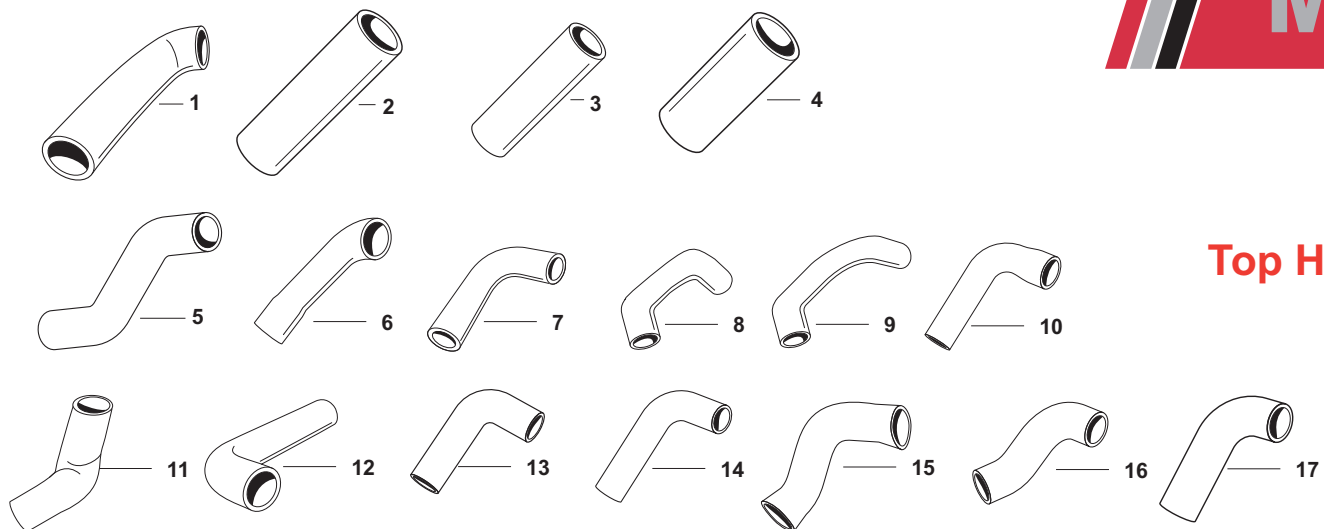
Water Pump Repair Kits



OUR #	DESCRIPTION	EQUIVALENT	TRACTOR MODEL
1	R40045 Water Pump Repair Kit	3641392M91 3637445M91 740607M91 U7LW0044	MF 135 Perkins Gas/Diesel, 150 Perkins Gas/Diesel, 154-4, 230, 231, 235, 245, 254-4, 253, 360, Ind. 20, 20C, 20F, 30B, 30D, 2500 Forklift
2	R41385 Water Pump Repair Kit	732591M91	MF 65 (w/ Indirect Injection SN 2806843>), 65 Direct Injection, 165 Diesel, 255 w/ A4.203, Ind. 30, 50, 50A, 3165 Turf & Utility
3	R40047 Water Pump Repair Kit	747444M91 3637482M91 U7LW0029 U7LW0058 741964M91	MF 165 w/ Perkins Gas, 175 Diesel (SN 236UA46687>), 180 Gas (SN 236UA1732A>), 184-4, 282, 194-4F, 261, 265 (>SN 9A349239), 274-4, 275 (>SN 9A3499239), 374S, 384S, 394S, Ind. 30, 50C, 50D, 60, 50H, HX, 60H
4	R41592 Water Pump Repair Kit	3637483M91	MF 375, 383 (w/ Engine Build List #LF31141), 390, 390T, 393, 398, 3050, 3060, 3065, 3070, Ind. 50H, HX, 60H
5	R41611 Water Pump Repair Kit	3637446M91 739254M91	MF 285, 1080, 1085, 298, 698
5	R40048 Water Pump Repair Kit	734989M91 747764M91 3641378M91	MF 510 Combine
6	R42442 Water Pump Repair Kit	747771M91 3641379M91 U7LW0015	MF 399 (w/ A6.354.4), 2640
7	R40075 Water Pump Seal	1446130M1	MF 230, 240 (SN 522354--A20286), 245, 254-4, 255, 265, 274-4, 275, 282, 285, 294-4 (>SN 223000321), 1080, 1085, 1100, 1130, 1105, 1135, 1150, 1155, Combines-MF540, 750, 760, 850, 860, Ind. 20C, 30, 30B, 30D, 31, 40, 40B, 50E, 4500 Forklift, 6500 Forklift
8	R40003 Water Pump Pulley Square Bolt Pattern	731805M1	MF 65 (w/ Indirect Injection SN 2806843>), 65 Direct Injection, 165 Diesel, 255 w/ A4.203 Diesel, Ind. 30 Diesel, 40B, 50 Diesel, 50A, 3165 Diesel
9	R40004 Water Pump Pulley Trapezoid Bolt Pattern	731280M1	MF 35 w/ Perkins Diesel, MH50 w/ Perkins Diesel, MF50 w/ Perkins Diesel, 135UK w/ Perkins Diesel (>SN 152UA5275D), 35 Turf & Utility w/ Perkins Diesel, Ind. 203, 205
10	R60047 Water Pump Pulley	1750081M1	MF 35, 135, 235, 35 Turf & Utility, Ind. 2135, 202, 204, 4500 Forklift w/ Continental Gas Engine
11	R60453 Water Pump Pulley Triple Groove	741103M1	MF 1080, 1085
12	R60241 Water Pump Pulley	31147031 746571M1	MF 270, 290, 670, 690, 283, Ind. 50E, 50 Perkins 4.236, 4.248 (5 1/2" OD) <i>*Can also be used to replace 737257M1. 5" pulley used on MF175, 180, 255, 265, 275. A longer belt must be used with these applicationR</i>
13	R41349 Water Pump Back Plate	3637335M1 731275M1	Perkins 3 cyl Gas/ Diesel

We have attempted to insure the accuracy of the information listed and reserve the right for type error.

Some part numbers and manufactures' names are used strictly for reference purpose only
Any prices listed are subject to change without notice and are in U.S. dollars. Not all items are stocking items.

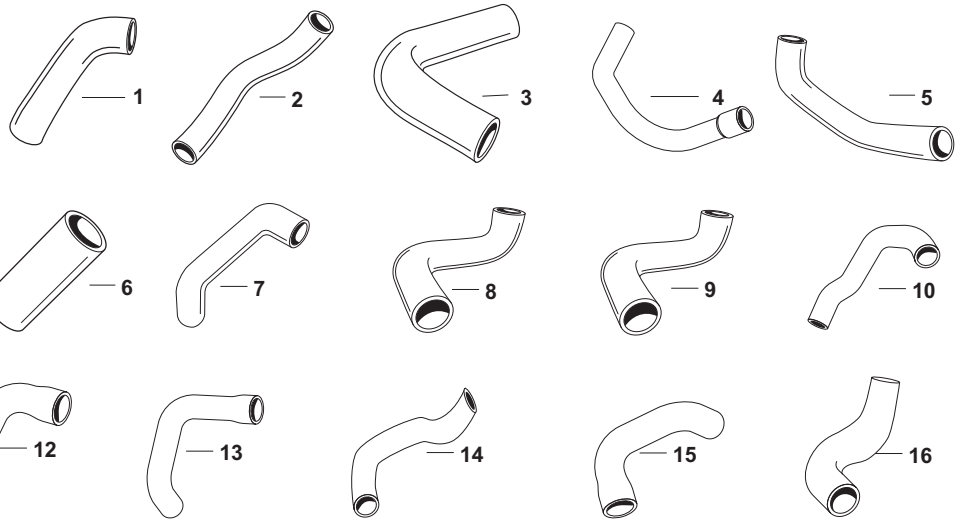


Top Hoses

OUR #	DESCRIPTION	EQUIVALENT	TRACTOR MODEL
1	R40016 Top Hose (1 1/2" - 6")	890195M1	MF 35UK, 35X (w/ A3.152 Diesel)
2	R40017 Top Hose (1 1/2" - 5")	186826M1 897455M1	MF 135UK, 35 Gas, 35 Turf & Utility Gas, 202 (SN 306493>), 204 (SN 342499>)
3	R60517 Top Hose (1 1/2" - 5 1/2")	180085M1 182345M1	MF 35 Diesel, 50, 50 Gas, 65 Gas, 135, 230 Diesel (>SN 9A349239), 235 Diesel except Orchard, 20, 35 Utility Diesel, 50 Gas, 65 Utility Gas, 202 (>SN 306493), 204 (>SN 342499), 203, 205, 302 Gas, 304 Gas, 2135 Diesel, 2500 Perkins/Continental Gas
4	R40022 Top Hose (1 1/2" - 5 3/4")	1869514M1	MF 231, 240, 250, 20D, 20E, 20F, 30E, 30H, 40E
5	R41825 Top Hose (1 1/2")	1696559M1	MF 360
6	R40018 Top Hose (1 1/2" - 1 3/4")	186654M1	MF 65 Diesel, Ind. 50 Diesel, 50A Diesel, 65 Utility Diesel, 304
7	R40019 Top Hose (1 1/2" - 10")	194738M1	MF 165 Diesel, 255 w/ AD4.203, 30 Diesel, 3165 Diesel,
8	R40021 Top Hose (1 1/2")	899144M1	MF 165UK (w/ A4.212), 261, 270, 290
9	R40020 Top Hose (1 1/2")	894793M1 194739M2	MF 175UK (>SN 724936), 178UK (>SN 724936)
10	R41826 Top Hose (1 3/4" - 1 1/2")	3611652M1	MF 362
11	R41827 Top Hose (2")	3596204M1	MF 375, 383, 390, 390T, 393, 398
12	R41530 Top Hose (2")	522078M1 1671076M1	MF 1080, 1085
13	R41829 Top Hose (2")	3382976M1	MF 3050, 3060, 3065
14	R41838 Top Hose (2")	3382977M1	MF 3070
15	R42687 Top Hose (2")	1681509M1	MF 670, 690
16	R41828 Top Hose (2")	1695563M1	MF 399 (w/ A6.354.4)
17	R41830 Top Hose (2")	3387747M1	MF 3090

We have attempted to insure the accuracy of the information listed and reserve the right for type error.

Some part numbers and manufactures' names are used strictly for reference purpose only Any prices listed are subject to change without notice and are in U.S. dollars. Not all items are stocking items.



Bottom Hoses

OUR #	DESCRIPTION	EQUIVALENT	TRACTOR MODEL
1	R60529 Bottom Hose (1 1/2")	180783M1	MF 35 (w/ Continental), 135 (w/ Continental Gas), Ind. 35 Turf & Utility (w/ Continental Gas), 202, 204 (w/ Continental Gas), 2135 (w/ Continental Gas)
2	R40026 Bottom Hose (1 1/2")	186968M1	MF 35 Diesel, 135 Diesel, 135UK (>SN 148525), 230 (>SN 9A243032), 235 Diesel except Orchard, 20 Diesel, 35 Diesel, 203, 205, 2135 Diesel Utility
3	R40027 Bottom Hose (1 1/2")	1860374M1 1860374M2	MF 135UK w/ 3.152 Diesel, 231, 240 (SN 522354-A20286), 240 (SN A20286> Manual Steering), 250, 20D, 20E, 30E
4	R41831 Bottom Hose (1 1/4" - 1 1/2")	1694711M1	MF360
5	R40032 Bottom Hose (1 1/2")	1662089M1	MF 550
6	R40028 Bottom Hose (1 1/2" - 2 1/4")	898065M1	MF 165UK (w/ AD4.203)
7	R40030 Bottom Hose (1 5/8")	194737M1 898748M1	MF 175 Diesel, 255 w/ A4.236, 261, 265 Diesel except Orchard, 31, 50E, 50F, 50H, HX, 60H
8	R40029 Bottom Hose (1 1/2")	898745M1	MF 175, 178UK (>SN 724936)
9	R40031 Bottom Hose (1 5/8")	885563M1	MF 175, 178UK (SN 724936>), 270, 282, 290, 690
10	R41839 Bottom Hose (1 1/4" - 1 5/8")	1695868M1	MF 362
11	R41832 Bottom Hose (1 1/2" - 1 5/8")	1695562M1	MF 375, 383, 390, 390T, 393, 398
12	R41834 Bottom Hose (1 5/8" - 2")	3382984M1	MF 3050, 3060, 3065 (>SN B246028)
13	R41835 Bottom Hose (1 5/8" - 2")	3384380M1	MF 3070 (>7/93)
14	R42246 Bottom Hose (1 5/8" - 2")	520309M91	MF 1080, 1085
15	R41833 Bottom Hose (1 1/2" - 2 1/4")	1695564M1	MF 399 (w/ A6.354.4 less Cab)
16	R41836 Bottom Hose (2" - 2 3/8")	3382985M1	MF 3090

We have attempted to insure the accuracy of the information listed and reserve the right for type error.

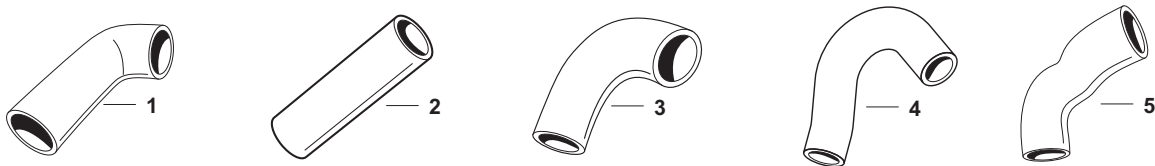
Some part numbers and manufactures' names are used strictly for reference purpose only
Any prices listed are subject to change without notice and are in U.S. dollars. Not all items are stocking items.



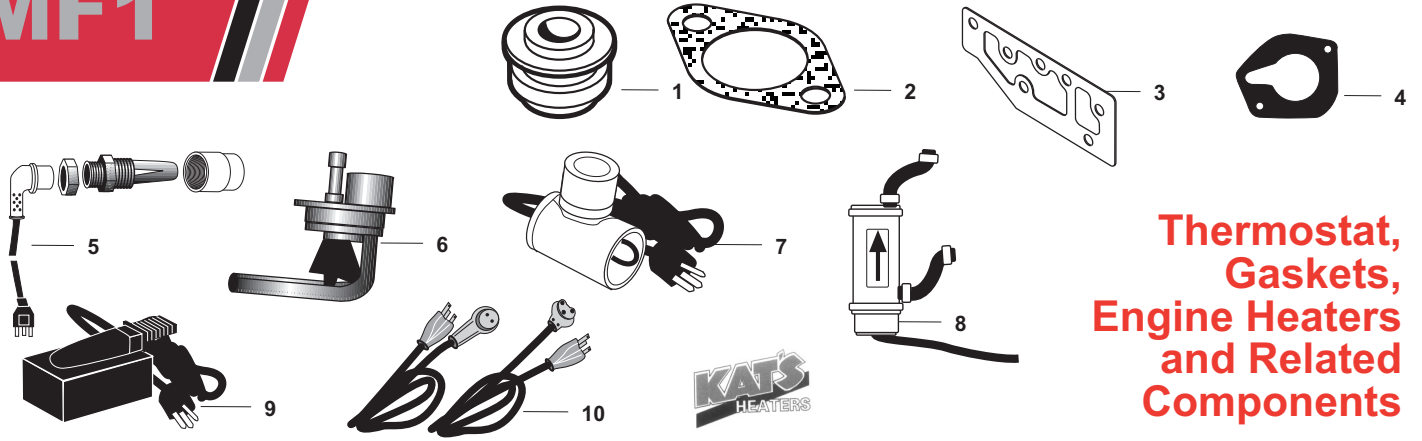
By-Pass Hoses

OUR #	DESCRIPTION	EQUIVALENT	TRACTOR MODEL	
1	R40082	By-Pass Hose (1 1/8")	731256M1 U5MH0006	MF 35 Diesel, 50 Diesel, 135, 150, 154-4, 154-4S, 230, 231, 235, 240, 245, 250, 254-4, 20, 20C Diesel, 20D, 30B Diesel, 30D, 35 Utility Diesel, 20E Diesel, 30E Diesel, 30H Diesel, 40E Diesel, (w/ Build List #CN 31157, CN31158) 40, 203, 205, 2135 Diesel, 2500 Forklift, 4500 Forklift Diesel
2	R41527	By-Pass Hose (1 1/8")	747944M91 U5MH0024	MF 3050, 3060, 3065, 3070, 50H, HX, 60H
3	R41823	By-Pass Hose (1 1/2")	3637257M91	MF 396 (w/ 6.60 Engine), 399 (w/ 1006.6 Engine), 3120, 3120T, 3140, 3660, 8120
4	R41822	By-Pass Hose (1 3/8")	3637574M91	MF 253, 360, 364S, 40

Inlet Hoses

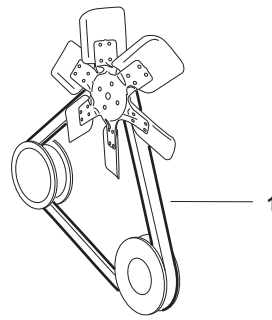


OUR #	DESCRIPTION	EQUIVALENT	TRACTOR MODEL	
1	R40083	Inlet Hose (1 3/8")	732443M1	MF 35 Diesel, 50 Diesel, 135 Perkins Engine, 150 Perkins Engine, 154-4, 154-4S, 230, 231, 235 Diesel, 240, 245 Diesel, 254-4, 20, 20C Diesel, 20D, 30B Diesel, 30D, 35 Utility Diesel, 40, 203, 2135 Diesel, 205, 2200 Forklift, 2500 Forklift, 4500 Forklift Diesel
2	R40082	Inlet Hose (1 1/8")	747936M91 202016	MF 240, 253, 360, 20F, 30E
3	R40084	Inlet Hose (1 3/8")	731174M1	MF 65 Diesel, 165 Diesel, 255 w/ AD4.203, 30 Diesel, 40B, 50 Diesel, 50A, 3165 Turf & Utility Diesel
4	R41824	Inlet Hose (1 1/8")	3637573M91	MF 375, 383, 390, 390T, 393, 398
5	R41525	Inlet Hose (1 3/4")	737163M1 747946M91	MF 1080, 1085



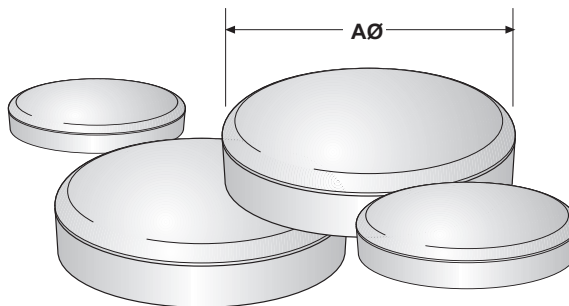
Thermostat, Gaskets, Engine Heaters and Related Components

OUR #	DESCRIPTION	EQUIVALENT	TRACTOR MODEL
1	R40085 Thermostat (for Perkins Engine)	1446165M91	MF 135, 150, 154-4, 230 (SN 9A349239>), 231, 240, 245 (>SN 9A349239), 253, 254-4, 285 (SN 9A349239>), 360 (Build List #CN31187), 362, 1080, 1100, 1105, 1130, 1135, 20C, 20F, 30B, 50H, HX, 60H
1	R40086 Thermostat	1446222M91	MF 165, 1100, 1130, 30, 50, 50A
1	R40087 Thermostat	1447384M1	MF 360 w/ Build List #CN 31185, 364S, 375, 383, 390, 390T, 393, 396, 398, 399, 2640, 2675, 2705, 2775, 2805, 3050, 3060, 3065, 3070, 3075, 3120, 3120T, 3140, 3660, 6150, 6180, 8120, 50H, HX, 60H
2	R41347 Gasket - Outlet (for Perkins Engine)	1650482M1	MF 25, 35, 50, 135, 150, 154-4, 230, 231, 235, 240, 245, 253, 254-4, 360, 364S, 20, 20C, 20F, 30B, 30D, 40, 203, 205, 2135, 2500 Forklift, 4500 Forklift
3	R42211 Gasket - Thermostat Housing	3637530M1 731254M1	Perkins Engine 3.152
4	R41351 Thermostat Gasket	735641M1 3682151	MF175, 255, 265, 270, 275, Ind. 30, 31, 50C, 50C (Perkins A4.236, A4.248)
5*	R42752 Engine Block Heater w/ Adaptor 1' Cord (600 Watt)		Perkins Engine 3.152 w/ 1 1/4" Core Plug
6*	R07085 Core Plug Heater (750 Watt)		MF 150, 175, 180, 235, 265, 1100, 1105, 1130, 2135, 2200 Perkins Engine 1 1/4" Cup Plug (except 3 cyl)
6*	R02368 Core Plug Heater (600 Watt)		MF 3150, 3160, 3165 w/ 1 3/4" Cup Plug
7	R07081 Lower Radiator Hose Heater (600 Watt)		Universal w/ 1 1/4" ID Hose
7	R07082 Lower Radiator Hose Heater (600 Watt)		Universal w/ 1 1/2" ID Hose
7	R07083 Lower Radiator Hose Heater (600 Watt)		Universal w/ 1 3/4" ID Hose
7	R07084 Lower Radiator Hose Heater (600 Watt)		Universal w/ 2" ID Hose
8	R07078 Tank Type Heater (850 Watt)		Cooling System up to 18 qt Capacity
8	R07079 Tank Type Heater (1000 Watt)		Cooling System 16-25 qt Capacity
8	R07080 Tank Type Heater (1500 Watt)		Cooling System 26-40 qt Capacity
9	R07098 Magnetic Heater (8 sq in)		Universal
9	R07099 Magnetic Heater (20 sq in)		Universal
10	R07094 Heater Cord (1' Long)		Replacement for R07085, R07086, R07087, R07093
10	R07095 Heater Cord (6' Long)		Replacement for R07085, R07086, R07087, R07093
10	R07096 Heater Cord (5' Long)		Replacement for R07089, R07090, R02368
10	R07097 Heater Cord (1' Long)		Replacement for R07089, R07090, R02368
<p>*CAUTION: AIR MUST BE BLED FROM SYSTEM. DO NOT RUN ENGINE WITH HEATER PLUGGED IN. DOING SO WILL BURN OUT ELEMENT AND VOID WARRANTY! USE OF GASKET CEMENT VOIDS WARRANTY.</p>			



Belts

OUR #	DESCRIPTION	EQUIVALENT	TRACTOR MODEL
1	R11175 Fan Belt	1851749M1	MF 35 (>SN 304621)
1	R11168 Fan Belt	890982M1	MF 35 UK (SN 304446>), 135 UK , 165 UK
1	R18731 Fan Belt	186976M1	MF 35 Diesel , 135 Diesel , (>SN 9A38905), 150 w/ Generator , 180 Gas (Perkins), 30 Diesel , 35 Utility Diesel , 203 , 205 , 2135 Diesel , 2200 Diesel , 255 Gas or AD-203 Diesel
1	R18726 Fan Belt	184526M1	MF 65 Gas , 50 Diesel w/ Generator , 65 Utility Gas
1	R18730 Fan Belt	186750M1	MF 65 Diesel , 165 Diesel , 175 (>SN 9A40277), 180 (>SN 9A40277), 50 Diesel , 65 Utility Diesel , 302 Diesel , 304 Diesel
1	R18735 Fan Belt	843198M1	MF 135 Gas (Perkins) SN 9N38905>, 165 Gas (Perkins), 175 Gas (Perkins), 255 (SN 9A211258>), 20 Turf , 30 Gas , 50 Diesel w/ Alternator
1	R18734 Fan Belt	513833M1	MF 175 Diesel w/ Alternator , 31 , 6500 Forklift (Diesel)
1	R18732 Fan Belt	512951M1	MF 180 Diesel , (SN 9A40277>)
1	R18733 Fan Belt	190083M1	MF Super 90 Diesel w/ Generator , 175 Diesel w/ Generator
1	R18736 Fan Belt	517344M1	MF 150 Gas , Diesel (Perkins), 255 (A4-236), 265 , 275 , 290 , 40B , 50C , 50D , 6500 Forklift Gas (Late Production)
1	R18725 Fan Belt	539735M1	MF 230 Gas , 235 Gas , 245 Gas , 20C Gas , 30B Gas , 4500 Forklift Gas
1	R11171 Fan Belt	1687531M1	MF 231 , 240 , 250 , 283UK , (2-13-92>), 20D , 20E , 20F , 30E , 30H , 50E , 50H , 50HX , 60H , 6500H , Forklift , 6800H Forklift
1	R18642 Fan Belt	1693746M1	MF 253 , 360 , 364S , 374S , 384S , 394S , 20F , 30E , 30H , 40E
1	R18742 Fan Belt	1809095M2	283 , 290
1	R18743 Fan Belt	516467M1	1080 Less AC
1	R18740 Fan Belt	513133M1	MF 1100 , 1130 Less AC w/ Single Belt (SN 9B13590>)
1	R18739 Fan Belt	512431M1	MF 1100 , 1130 w/out AC (SN 650003753>9B13590)
1	R18659 Fan Belt (58 1/2") Set of 2	3045111M91	MF 2640 Early Production , 2675 , (3525 >SN T272209), (3545 >SN T272209)
1	R18634 Alternator Belt	3040966M1	MF (2675 >SN 9R8414), (3505 >SN K235204)
1	R18653 Alternator - Water Pump (2)	1688216M1	MF 699
1	R18652 Alternator - Water Pump (2)	532779M92	MF 285
1	R18656 Alternator - Water Pump	180905M2	MF 283 , 290
1	R18654 Alternator - Water Pump (2)	3386190M91	MF 3120 , 3525 , 3545 , 3630 , 3650
1	R18649 Alternator - Water Pump (2) (59 1/16" Long)	3381364M91	MF 2640 Late Production , 3090 , (3505 >SN K235204)
1	R18655 Alternator - Water Pump (2)	3386190M91	MF 3120 , (3525 , 3545 SN T272209>), 3630 , 3650
1	R18663 Alternator - Water Pump (2)	3582953M91 3617184M91	MF 3140 , 3670 , (3680 SN R199052>), 3690 , 8140 , 8150 , 8160
1	R18640 Air Conditioning (45 1/2")	1614371M1	MF (285 >SN 9A349239), 2640 , (3505 , 3525 >SN T258205), (3545 >SN L178203)
1	R18639 Air Conditioning (43 5/16")	1686883M1M1	MF 699 , 3090 , 3505 , 3525 , (3545 SN L178203>), 3630 , 3650



Core Plugs

OUR #	DESCRIPTION	EQUIVALENT	TRACTOR MODEL
R08529	Core Plug (A=3/4" / 19.44mm) Mild Steel		
R08444	Core Plug (A=7/8" / 22.27mm) Mild Steel		
R08448	Core Plug (A=1" / 25.78mm) Mild Steel		
R12688	Core Plug (A=1.5/32" / 29.00mm) Stainless Steel		
R08449	Core Plug (A=1.1/4" / 32.18mm) Mild Steel	735865M1	
R08451	Core Plug (A=1.3/8" / 35.36mm) Mild Steel	376190X1	
R08450	Core Plug (A=1.1/2" / 38.53mm) Mild Steel	735869M1	
R08446	Core Plug (A=1.1/2" / 38.53mm) Mild Steel		
R14458	Core Plug (A=1.1/2" / 38.53mm) Stainless Steel		
R08445	Core Plug (A=1.9/16" / 39.95mm) Mild Steel		
R14534	Core Plug (A=1.5/8" / 41.27mm) Mild Steel		
R14452	Core Plug (A=1.5/8" / 41.27mm) Stainless Steel		
R12868	Core Plug (A=1.5/8" / 41.27mm) Mild Steel		
R08447	Core Plug (A=1.3/4" / 44.75mm) Mild Steel		
R14459	Core Plug (A=1.3/4" / 44.75mm) Stainless Steel		
R00538	Core Plug (A=1.3/4" / 44.75mm) Mild Steel (Flat Type)		
R65762	Core Plug (A=1.13/16" / 46.05mm) Stainless Steel		
R08530	Core Plug (A=2.3/16" / 55.90mm) Mild Steel		
R08531	Core Plug (A=2.3/16" / 55.90mm) Stainless Steel		
R14535	Core Plug (A=1.3/8" / 35.36mm) Stainless Steel		
R12874	Core Plug (A=1.1/4" / 32.18mm) Stainless Steel		