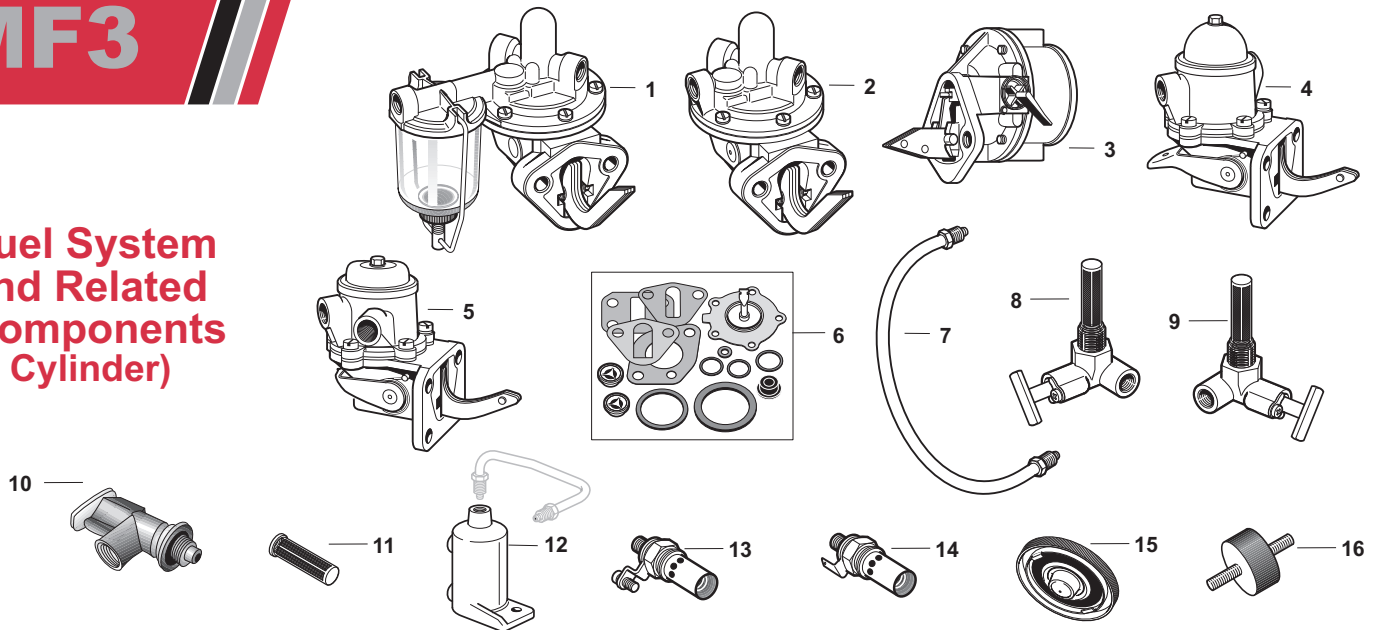


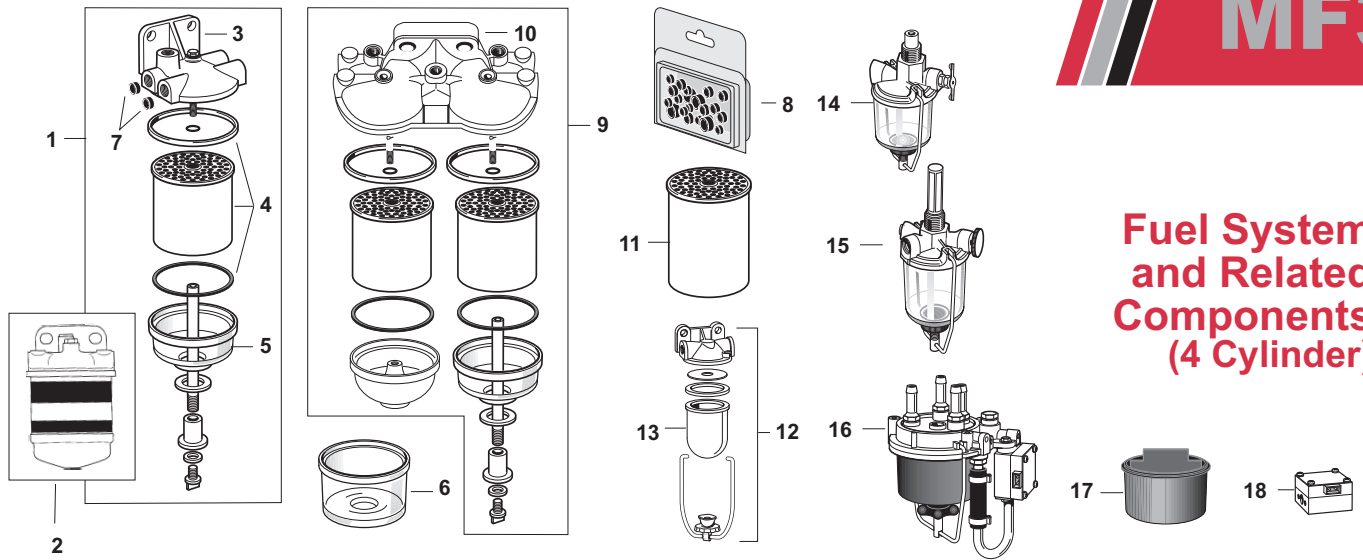
Fuel System and Related Components (4 Cylinder)



OUR #	DESCRIPTION	EQUIVALENT	TRACTOR MODEL
1	R40560 Lift Pump w/ Glass Bowl & Gasket	3637338M91 2641345 892630M91	MF 65, 165, 165UK, Ind. 302, 304, 3165 (>SN 29F4249 AD4.203)
2	R40561 Lift Pump w/ Gasket (2 Bolt Mount)	3637286M91 886100M91	MF 165 (SN 29F4249>), 255, 285, 298, 698, 1085, Ind. 30, 40B, 50, 50A, (302, 304, SN 29F4249>), 3165 (SN 29F4249>), AD4.203, 4.318
3	R40562 Lift Pump w/ Gasket (2 Bolt Mount)	3637287M91 881303M91 1447381M91 2641478, 2641465	MF 165UK (SN UA134570 A4.212), 175UK, 178UK, 175*, 180*, 282, Ind. 31 (>SN UA57083 A4.212, AD4.236) *Studs may need to be replaced if engine SN is prior to 4802330
4	R40563 Lift Pump w/ Gasket (4 Bolt Mount)	1447688M91 3637290M91 2641725 2641711	MF 165UK (SN UA134570> A4.212), 175 (SN 57083>), 180 (SN 57265>), 174-4S, 184-4, 255, 265, 270, 274-4, 275, 283, 294-4, 375, 383, 390, 390T, 398, 670, 690, 3050, 3060, 3065, 3070, Ind. 31 (SN 57083>), 50D, 50E, 50F, (A4.212, AD4.236, AT4.236, A4.248)
5	R42440 Lift Pump	2641A067 4222106M91	Phaser 4 Cylinder, Turbo & Non-Turbo
6	R40568 Lift Pump Repair Kit	1882944M92 26410045	Fits: R40560, R40561
6	R40569 Lift Pump Repair Kit	1883344M92 26410050	Fits: R40562
6	R40567 Lift Pump Repair Kit	1852113M91 26410087 1896434M91 26410009	Fits: R40563
7	R41309 Fuel Line (17 1/4") Plastic	892130M92	MF 165UK (w/ AD4.203) Shut-off Lift Pump
7	R41516 Fuel Line (31") Plastic	1667052M92	MF 261, 270 Early, 290 Early, Ind. 50E
8	R40574 Fuel Tap	1851653M91	MF 65 (w/ Indirect Injected Engine SN 677170>), 165UK (w/ AD4.203), 2640, 3505, 3525, 3545
8	R11194 Fuel Tap	898580M91	MF 165UK (w/ AD4.212), 175UK, 178UK, 270 Early, 282, 290 Early, 298 Early, Ind. 50E, 50F, 50H, 60H
10	R42639 Fuel Tap	1694985M92	MF 270 Late, 283, 283UK, 290 Late, 298 Late, 360, 362, 375 (>SN B32999), 383, 390 (>SN B32999), 390T (>SN B32999), 393 (>SN B32999), 398 (>SN B32999) Ind. 50H, 60H
11	R11196 Filter - Fuel Tap	1851654M1	Fits: R11194, R40574
12	R41333 Reservoir - Leak Off	891969M91	MF 165UK, 175UK, 178UK, Ind. 50F, 50H, 60H
13	R40626 Heater Plug w/ Screw Terminal	893501M91	MF 65, Super 90, 283 Brazil, 3075
14	R40627 Heater Plug w/ Spade Terminal		
15	R40570 Cap - Fuel Tank, Non-Vented	828583M91	MF 165UK, 175UK, 178UK
15	R41520 Cap - Fuel Tank, Vented	1666439M91	MF 261, 270, 283, 290, 298, Ind. 50E
16	R40581 Damper - Fuel Tank Mount	8836229M1	MF 165UK, 175UK, 178UK, 270, 283, 283UK, 290, 298, Ind. 50E, 50F, 50H, 60H

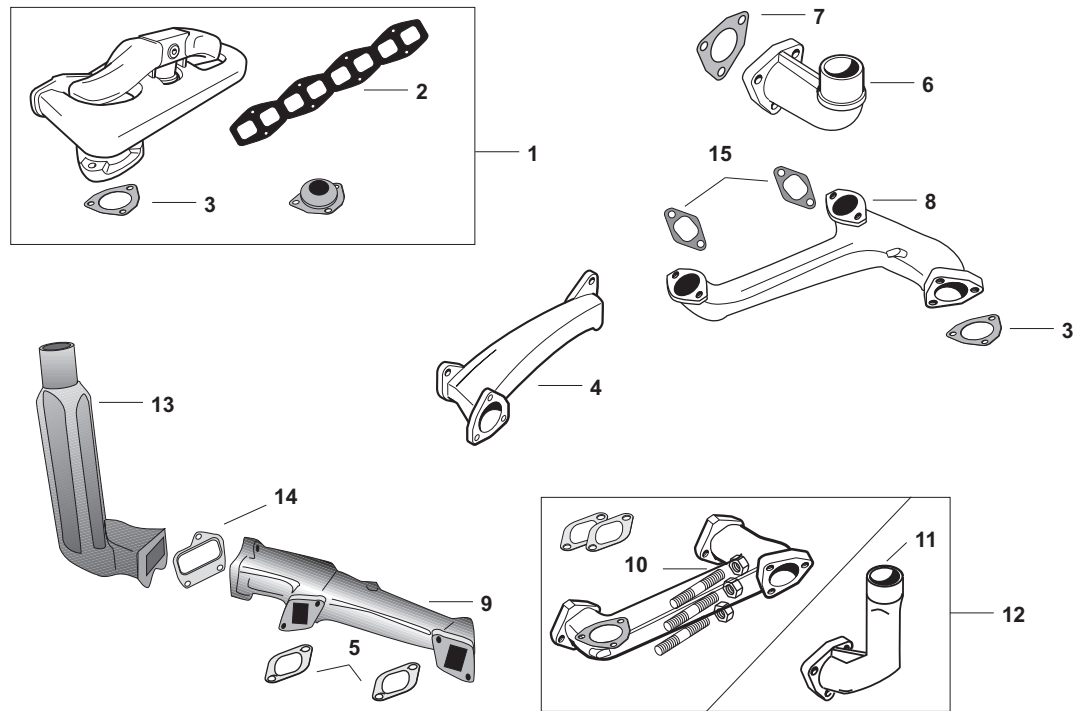
We have attempted to insure the accuracy of the information listed and reserve the right for type error.

Some part numbers and manufactures' names are used strictly for reference purpose only Any prices listed are subject to change without notice and are in U.S. dollars. Not all items are stocking items.



Fuel System and Related Components (4 Cylinder)

SPAREX No.	DESCRIPTION	EQUIVALENT	TRACTOR MODEL
1	R42099 Fuel Filter Assembly w/ Glass Bowl (1/2" UNF Thread)	883786M91 1446017M91 2656615	MF 165UK, 174-4, 184-4, 194-4F, 274-4, 284-4, 294-4 (Replacement or Universal)
2	R60425 Fuel Filter Assembly w/ Steel Bowl (1/2" UNF Thread)		Universal - Most Models w/ CAV Filter
3	R42127 Head (1/2" UNF Thread)		Universal - Most Models w/ CAV Filter
4	R40542 Filter w/ Seals (3.46" OD, .75" ID, 2.85" Height)	836218M91 3405418M1 7111-296 1851890M1 1077260M91	MF 65, 165, 175, 180, 914-4F, 282, 283UK, 285, 298, 362, 374S, 384S, 394S, 698, 1080, 1085, Ind. 50, 50A, 60
5	R40572 Glass Bowl - Shallow	1039071M1	MF 174-4S, 184-4S, 194-4F, 255, 261, 265, 270, 274-4, 275, 282, 283, 290, 294-4, 670, 690, Ind. 40B, 50C, 50D, 50E
6	R40571 Glass Bowl - Deep	1024386M1	MF 65, Super 90, 165, 175, 180, 283UK, 285, 362, 375, 383, 390, 390T, 393, 398, 1080, 1085, 3075, 6150, Ind. 30, 31, 50, 50A, 70, 3165
7	R40582 Rubber Olive (5/16"OD x 3/16"ID x 3/16"w)	376524x1 33811112	
7	R40583 Rubber Olive (7/16"OD x 1/4"ID x 1/4"w)	376525x1 33811113	
7	R40584 Rubber Olive (13/32"OD x 5/16"ID x 1/4"w)	376526x1 33811114	
7	R40585 Rubber Olive (3/8"OD x 1/4"ID x 1/4"w)	376527x1 33811115	
8	R42084 Assorted Rubber Olive (100 pc)		Includes: 20 x R40582, 30 x R40583, 30 x R40584, 20 x R40585
9	R60426 Fuel Filter Assembly - Dual (1/2" UNF Thread)		Universal - Uses 2 CAV 7111-296 Filters (R40542 - 1 Glass Bowl, 1 Steel Bowl)
10	R42128 Filter Head - Dual (1/2" UNF Thread)		MF 298, 698
11	R40543 Filter w/ Seals (3.50" OD, .75" ID, 4.44" Height)	1896287M91	MF 184-4, 255, 265, 270, 275, 282, 283, 283 Brazil, 290, 690, 3050, 3060, 3065, 3070, 261, 283UK, 390, 390T, 393, 398, Ind. 50H, 60H
12	R40573 Fuel Sediment Bowl Assembly (1/2" UNF Thread) LH out - RH in (2 1/16" Dia bowl, 2 1/4" Long, 5 1/4" Length)		Universal
13	R41390 Glass Bowl		Fits: R40573
14	R61581 Sediment Bowl Assembly (1/8" NPT)	505472M91	MF 150, 165, 175, 180, Ind. 3165 Gas
15	R61578 Sediment Bowl Assembly (1/8" NPT w/ Stand Pipe)		Alternative to R61581
16	R29501 Flowmeter	3389408M2	MF 3050, 3060, 3065, 3070, 3075
17	R29503 Fuel Bowl	3467383M2	Same As Above
18	R29504 Flow Chamber	3600423M91	Same As Above

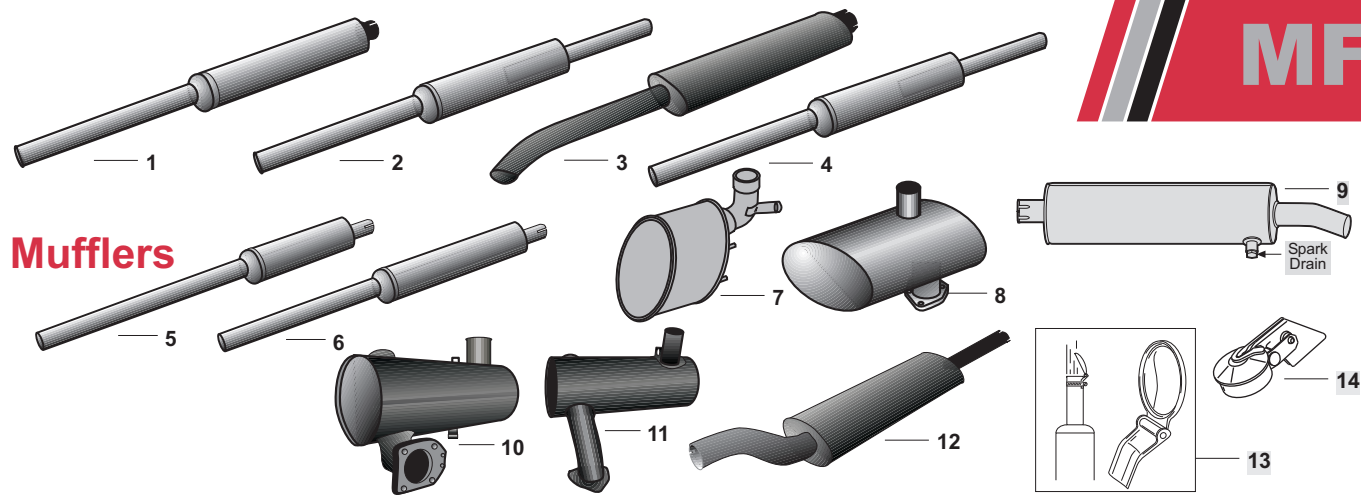


Manifolds and Related Components

OUR #	DESCRIPTION	EQUIVALENT	TRACTOR MODEL
1	S.60036 Manifold - Intake & Exhaust w/ Manifold, Adaptor/Pipe Gaskets & Adaptor (less Carburetor Gasket)	1750343M91 1040903M91	MF 135 (w/ Continental Gas), 150 (w/ Continental Gas)
2	R60870 Gasket - Manifold	1750045M1	MF 135 (w/ Continental Gas), 150 (w/ Continental Gas)
3	R40645 Gasket - Pipe to Manifold ID=1 13/16", 2 5/8" c-c, 3/8" Bolt	180104M1 827877M1 3640488M1	MF 135 (w/ Continental Gas), 150 (w/ Continental Gas)
4	R40636 Manifold (+ Vertical Diesel, * Horizontal)	736206M1 37781781	MF 175+ (SN 644000916>), 180+ (SN 645001710), 283+ UK, 362+, Ind. 31*, 60, 6500
5	R42391 Gasket - Manifold (+ Vertical Diesel, * Horizontal)	736754M1 36862159	MF 175+ (SN 644000916>), 180+ (SN 645001710), 283+ UK, 362+, Ind. 31*, 60, 6500 , Perkins A4.212, A4.236, A4.248 Engines
6	R15980 Elbow - 90° - Vertical	1862807M1	MF 165UK (A4.212 SN 594521>), (175 UK, 178 SN 745974>), 270, 283, 283UK, 290, 362
7	R40647 Gasket - Elbow to Manifold (ID=2 9/16", C-C=3 1/8", 3/8" Bolt)	194742M1 36821123	MF 165UK (A4.212 SN 594521>), (175 UK, 178 SN 745974>), 270, 283, 283UK, 290, 362
8	R61967 Manifold - Exhaust	731157M1	MF 65 (A4.203 Diesel)
9	R42545 Manifold - Exhaust (Use Vertical Gasket R42391)	741764M1 37781051	MF 255 (A4.236), 265, 275, Ind. 50C, 50D
10	R61496 Manifold - Vertical w/ Studs, Nuts & Gaskets	735041M1	MF 165UK, 165 (AD4.203), 255, Ind 30, 3165
11	R61495 Elbow	507629M1	MF 165UK, 165 (AD4.203), 255, Ind 30, 3165
12	R61979 Kit - Manifold & Elbow Includes: Gaskets, Studs, Nuts		MF 165UK, 165 (AD4.203), 255, Ind 30, 3165
13	R42546 Elbow	1874771M3	MF 283 Brazil
14	R42646 Gasket - Elbow	1876671M4	MF 283 Brazil
15	R42686 Gasket - Manifold	732814M1	MF 65 (AD4.203), Ind. 50 (Diesel), 50A

We have attempted to insure the accuracy of the information listed and reserve the right for type error.

Some part numbers and manufactures' names are used strictly for reference purpose only Any prices listed are subject to change without notice and are in U.S. dollars. Not all items are stocking items.



Mufflers



OUR #	DESCRIPTION	EQUIVALENT	TRACTOR MODEL
1	R02983 Muffler - Vertical Muffer=23 5/16" x 3 3/4"ø, Overall=40 5/16", Fitting=2 1/8-2 1/4"	898228M91 3530335M91 3307507M91	MF 165UK, 175UK, 178, 174-4 (2 wd SN 132D00867>), (4 wd SN 232C01657>), 374S, 374V, 384S, 394S
2	R19252 Muffler - Vertical Muffer=18 7/8" x 3 61/64"ø, Overall=53 9/64", Fitting=2 1/4"	1675390M92	MF 362
3	R42408 Muffler - Vertical Muffer=24 1/32" x 7 7/64"ø, Overall=46 5/64", Fitting=2 29/32"	1690589M1	MF 298, 698
4	R14513 Muffler - Vertical Muffer=20 1/16" x 4 11/32"ø, Overall=52 1/2", Fitting=2 1/8"	1673835M92	MF (265, 270, 275, 290, UK exhaust outside hood)
5	R14514 Muffler - Vertical Muffer=20 1/16" x 4 11/32"ø, Overall=41 3/4", Fitting=2 1/4"	1680877M92	MF 670, 690
6	R14515 Muffler - Vertical Muffer=18 7/8" x 3 61/64"ø, Overall=53 9/64", Fitting=2 1/4"		(MF 255, 265, 275, US Exhaust through Hood)
7	R42653 Muffler - Vertical	3582118M1	MF 3065
8	R42654 Muffler	3383013M1	MF 3050, 3060
9	R42708 Muffler - Horizontal - w/ Spark Drain Muffer=17 1/2" x 4 1/4"ø, Overall=27", Fitting=2"	539523M92	MF 265, 275, 290, Ind. 50C
10	R42656 Muffler - Under Hood 5 57/64"ø, Overall=16 9/64", Fitting=2 1/2"	1694963M5	MF 390, 390T, 393, 398
11	R19251 Muffler - Under Hood Muffer=17" x 6 5/16"ø, Overall=17", Fitting=2 3/8"	1694961M5	MF 375, 393, 390
12	R42409 Muffler - Under Hood Muffer=23 5/8" x 8 11/16"ø, Overall=58 21/32", Fitting=1 1/16"	1680529M92	MF 698
13	R02280 Weather Cap (2 1/4")		Includes: Cap & Hose Clamp
13	R06344 Weather Cap (2 3/4")		Includes: Cap & Hose Clamp
13	R02281 Weather Cap (3 1/4")		Includes: Cap & Hose Clamp
14	R14445 Weather Cap (2")		
14	R14446 Weather Cap (2 1/4")		
14	R14447 Weather Cap (2 1/2")		
14	R19780 Weather Cap (2 3/4")		
14	R19781 Weather Cap (3")		
14	R19782 Weather Cap (3 1/2")		
14	R19783 Weather Cap (3 3/4")		
14	R19784 Weather Cap (4")		

We have attempted to insure the accuracy of the information listed and reserve the right for type error.

Some part numbers and manufactures' names are used strictly for reference purpose only
Any prices listed are subject to change without notice and are in U.S. dollars. Not all items are stocking items.