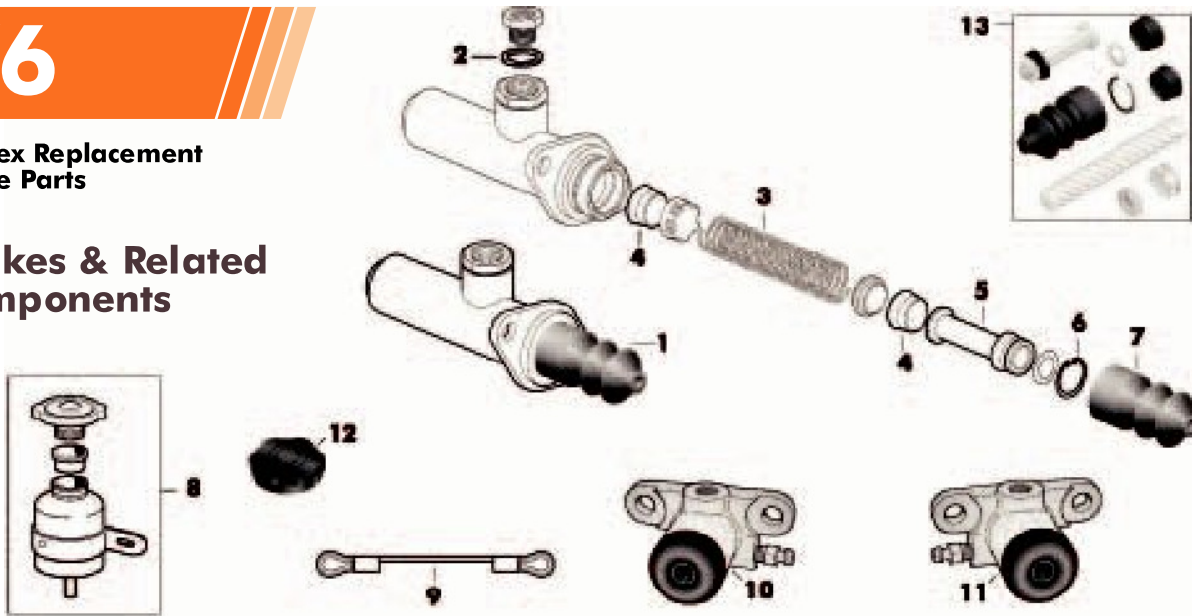


Sparex Replacement Spare Parts

Brakes & Related Components



SPAREX No.	DESCRIPTION	EQUIVALENT	TRACTOR MODEL
1	S.64029 Master Cylinder	97 5032	8011, 8045, 8111, 8145, 9111, 9145, 10011, 10045, 10111, 10145, 12011, 12045, 12111, 12145, 14145, 16045, 16145
2	S.8848 Washer (22 x27)	93 0721 97 2145	8011, 8045, 8111, 8145, 9111, 9145, 10011, 10045, 10111, 10145, 12011, 12045, 12111, 12145, 14145, 16045, 16145
3	S.64966 Spring	93 0724	8011, 8045, 8111, 8145, 9111, 9145, 10011, 10045, 10111, 10145, 12011, 12045, 12111, 12145, 14145, 16045, 16145
4	S.64117 Seal - Master Cylinder	93 0722	8011, 8045, 8111, 8145, 9111, 9145, 10011, 10045, 10111, 10145, 12011, 12045, 12111, 12145, 14145, 16045, 16145
5	S.64011 Piston - Master Cylinder	93 0725	8011, 8045, 8111, 8145, 9111, 9145, 10011, 10045, 10111, 10145, 12011, 12045, 12111, 12145, 14145, 16045, 16145
6	S.2819 Circlip - 21mm Int.	93 0726	8011, 8045, 8111, 8145, 9111, 9145, 10011, 10045, 10111, 10145, 12011, 12045, 12111, 12145, 14145, 16045, 16145
7	S.64118 Dust Cover - Master Cylinder	93 0727	8011, 8045, 8111, 8145, 9111, 9145, 10011, 10045, 10111, 10145, 12011, 12045, 12111, 12145, 14145, 16045, 16145
8	S.64375 Brake Fluid - Reservoir	80 227 901	8011, 8045, 8111, 8145, 9111, 9145, 10011, 10045, 10111, 10145, 12011, 12045, 12111, 12145, 14145, 16045, 16145
9	S.64744 Handbrake Balance Cable	80 231 009	8011, 8045, 8111, 8145, 8211, 8245, 9111, 9145, 9211, 9245, 10011, 10045, 10111, 10145, 10211, 10245, 11211, 11245, 12011, 12045, 12111, 12145, 12211, 12245, 14145, 14245, 16045, 16145, 16245
10	S.64263 Slave Cylinder - Disc Brake - L/H (19 mm Dia.)	80 227 907 80 227 917	8011, 8045, 12011, 12045
10	S.64372 Slave Cylinder - Disc Brake - L/H (22 mm Dia.)	83 227 911 83 227 901	8111, 8145, 8211, 8245, 9111, 9145, 9211, 9245, 10011, 10045, 10111, 10145, 10211, 10245, 11211, 11245, 12111, 12145, 12211, 12245, 14145, 14245, 16045, 16145, 16245
11	S.64264 Slave Cylinder - Disc Brake - R/H (19 mm Dia.)	80 227 908 80 227 918	8011, 8045, 12011, 12045
11	S.64373 Slave Cylinder - Disc Brake - R/H (22 mm Dia.)	83 227 912 83 227 902	8111, 8145, 8211, 8245, 9111, 9145, 9211, 9245, 10011, 10045, 10111, 10145, 10211, 10245, 11211, 11245, 12111, 12145, 12211, 12245, 14145, 14245, 16045, 16145, 16245
12	S.64529 Brake Fluid Reservoir Cap	93 0745	8011, 8045, 8111, 8145, 9111, 9145, 10011, 10045, 10111, 10145, 12011, 12045, 12111, 12145, 14145, 16045, 16145
13	S.64828 Master Cylinder - Repair Kit	Fits S.64029	8011, 8045, 8111, 8145, 9111, 9145, 10011, 10045, 10111, 10145, 12011, 12045, 12111, 12145, 14145, 16045, 16145

Please see Index for alternative O.E. part numbers.

These parts are Sparex parts and are not manufactured by the Original Equipment Manufacturer. Original Equipment Manufacturers names, part numbers and descriptions are quoted for reference purposes only.