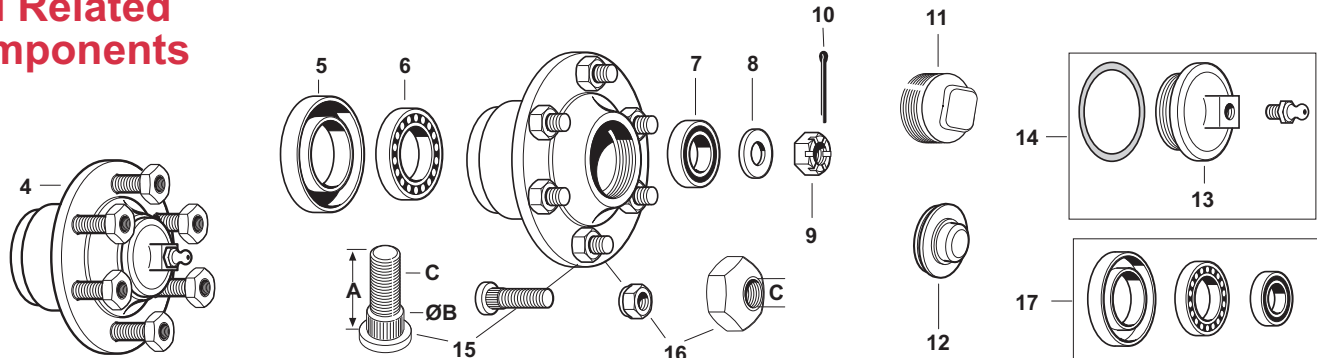


## Rims, Hubs, Bearings and Related Components



OUR #	DESCRIPTION	EQUIVALENT	TRACTOR MODEL
1	<b>R40286</b> Rim (4.50 x 16)	E6NN1007LA	
1	<b>R40287</b> Rim (5.50 x 16)	E6NN1007BA	
2	<b>R40289</b> Rim (8.00 x 16) Flat Face		
3	<b>R40288</b> Rim (5.50 x 18)	E6NN1007CA	
4	<b>R65123</b> Hub Assembly Includes: Studs, Nuts, Hub Cap	C9NN1104F	<b>2000, 3000, 4000SU, 2600, 3600, 3900, 4100, 4600SU, (2910, 3910 w/ Power Steering), 4610SU, Ind. 2110LCG, 231, 233, 333, 4110 LCG, 531</b>
4	<b>R65124</b> Hub Assembly Includes: Studs, Nuts, Hub Cap	C9NN1104E	<b>(4000 except 4200 Rowcrop), 4600, 2310, 2610, 2810, (2910, 3910 Manual Steering), 4110, 4610, 3230, 3930, 4130, 4630, 4830, 5030, Ind. 230A, 234, 334, 335, 530A</b>
4	<b>R65125</b> Hub Assembly Includes: Studs, Nuts, Hub Cap	C9NN1104D	<b>(5000, 7000 except Rowcrop), 5900, 5600, 6600, 6700, 7600, 7700, 5610, 6610, 6710, 6810, 7610, 7710</b>
5	<b>R62292</b> Seal (91.5mm x 50 x 12mm)	4951077	<b>(3430, 3930, 4130 6/94-&gt;), 4430, (4630, 4830, 5030 6/94-&gt;), 4835, 5635, 6635, 7635, TN65F, TN75F, TN90F</b>
5	<b>R60773</b> Seal	NCA1190A C0NN1190B	<b>(3600 w/ 6.0 x 15 Wheels), 3610, 4200 Rowcrop, 4600SU, 4610SU, 6600 Rowcrop, 7600 Rowcrop</b>
5a	<b>R04791</b> Seal - Steel (2 3/4 OD x 1 11/16 ID)	957E1190A	<b>2000, 3000, 4000SU, 2600, 3600, 3900, 4100, 2310, 2610, 2810, 2910, 4110</b>
5b	<b>R04233</b> Seal - Rubber Coated (2 5/8 OD x 1 13/16 ID)	310195	<b>(4000 except Rowcrop), (4600 All Purpose only), 2310, 2610, 2810, 2910, 3910, 4110, 4610, (3230, 3430, 3930, 4130, 4630, 4830, 5030 -&gt;6/94), Ind. 234, 334, 335, 530A</b>
5c	<b>R04234</b> Seal (3 OD x 2 1/16 ID)	D8NN1190CA	<b>5000, 7000, 5600, 5900, 6600, 6700, 7600, 7700, (5610, 6610, 6710, 6810, 7610, 7710 -&gt;9/89), 7810, 7910, 8210, 5640, 6640, 7740, 7840, TS90, TS100, TS110</b>
6a	<b>R02975</b> Wheel Bearing Assy - Inner Includes: Cone & Roller #LM67048, Cup #LM67010	D5NN1201A 36726 D5NN1202A 36723	<b>2000, 3000, 4000SU, 2600, 3600, 3900, 4100, 4600SU Ind. 231, 233, 333, 531</b>
6b	<b>R02971</b> Wheel Bearing Assy - Inner Includes: Cone & Roller #LM48548, Cup #LM48510	C1VV1201A 48977 C1VV1202A 48976	<b>4000, 4600, 2310, 2610, 2810, 2910, 3610, 3910, 4110, Ind. 230A, 234, 334, 335, 530A</b>
6c	<b>R04235</b> Wheel Bearing Assy - Inner Includes: Cone & Roller #LM501349, Cup #LM501310	WAA4221A 67370 WAA4222A 67371 5132342	<b>(5000, 7000 except w/ 8.00 x 16 Wheels), 5600, 5900, 6600, 6700, 7600, 7700, 5610, 6610, 6710, 6810, 7610, (7710 except HD Axle), 7910, 8210, 5640, 6640, 7740, 7840 (3430, 3930, 4130, 4430 Orchard, 4630, 5030 6/94-&gt;), 5635, 6635, 7635, TN65F, TN75F, TN90F</b>

We have attempted to insure the accuracy of the information listed and reserve the right for type error.

Some part numbers and manufactures' names are used strictly for reference purpose only  
Any prices listed are subject to change without notice and are in U.S. dollars. Not all items are stocking items

# Rims, Hubs, Bearings and Related Components

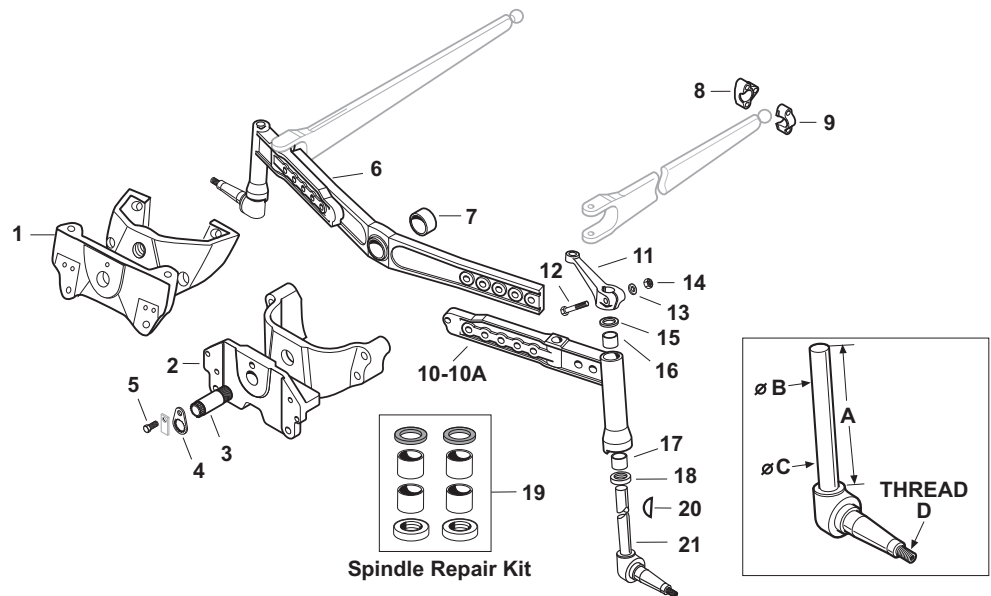


OUR #	DESCRIPTION	EQUIVALENT	TRACTOR MODEL
7	<b>R18509</b> Wheel Bearing Assy - Outer Includes: Cone & Roller M84548, Cup M44510	5132343 ZP0750117386	<b>(3430, 3930, 4130, 4430 Orchard, 4630, 5030 6/94-&gt;), 5635, 6635, 7635, TN65F, TN75F, TN90F</b>
7a	<b>R02972</b> Wheel Bearing Assy - Outer Includes: Cone & Roller #LM11949, Cup #LM11910	D5NN1216A 36724 D5NN1217A 36725	<b>2000, 3000, 4000, 4000SU, 2600, 3600, 3900, 4100, 4600, 4600SU, 2310, 2610, 2810, 2910, 3610, 3910, 4110, Ind. 230A, 231, 233, 234, 333, 334, 335, 3400, 530A, 531</b>
7b	<b>R04236</b> Wheel Bearing Assy - Outer Includes: Cone & Roller #LM12649, Cup #LM12610	C1VV1216A 63680 C1VV1217A 605156	<b>(5000, 7000 except w/ 8.00 x 16 Wheels), 5600, 5900, 6600, 6700, 7600, 7700, 5610, 6610, 6710, 6810, 7610, (7710 except HD Axle), 7910, 8210, 5640, 6640, 7740, 7840</b>
8	<b>R11222</b> Tab Washer		
9	<b>R40213</b> Slotted Nut (3/4" - 16)	387930S36 354573S36	<b>Most Models</b>
10	<b>R01501</b> Cotter Key	72054S	<b>Most Models</b>
11	<b>R65132</b> Hub Cap - Pressed Steel No Grease Zerk	2N1139B	<b>(4200, 5200, 7200 Rowcrop), 4600SU, 4610SU, Ind. 30A, 231, 2110, 4110 LCG, 2530A, 531</b>
11	<b>R65133</b> Hub Cap - Pressed Steel, Threaded, No Grease Zerk	C5NN1130A	<b>(5000, 7000 except w/ 8.00 x 16 Wheels), 5600, 5900, 5600, 6700, 7600, 7700, (5610, 6610, 6710, 6810, 7610, 7710 -&gt;10/89)</b>
12	<b>R61199</b> Hub Cap	4957312	<b>(3430, 3930, 4130 6/94&gt;), 4430, (4630, 4830, 5030 6/94-&gt;), 4835, 5635, 6635, 7635, TN65F, TN75F, TN90F</b>
13	<b>R65128</b> Hub Cap - Cast, w/ Grease Zerk	957E1139	<b>2000, 3000, 4000, 2600, 3600, 3900, 4100, 4600, 2310, 2610, 2810, 2910, 3610, 3910, 4110, 4610, (3230, 3430, 3930, 4130, 4630, 4830, 5030 &gt;5/94), Ind. 233, 234, 333, 334, 335</b>
13	<b>R65129</b> Hub Cap - Cast, w/ Grease Zerk	C5NN1130A	Alternative to R65133
14	<b>R65130</b> Hub Cap Kit - Contains: Cap, Gasket, Grease Zerk		Alternative to R65128, R65132
14	<b>R65131</b> Hub Cap Kit - Contains: Cap, Gasket, Grease Zerk		Alternative to R65129, R65133
15	<b>R04948</b> Bolt - w/ 6 Bolt Hub A=1.72" B=.62" C=1/2" UNF	81816580 C5NN1107F	<b>(2000, 3000, 4000, 5000, 7000 10/70-&gt;), 2600, 3600, 3900, 4100, 4600, 5600, 5900, 6600, 6700, 7600, 7700, 8000, 8600, 8700, 9000, 9600, 9700, TW5, TW10, TW20, TW25, TW30, TW35, 2310, 2610, 2810, 2910, 3610, 3930, 4130, 4330, 4630, 4830, 5030, 8530, 8630, 8730, 8830, 4835, 5635, 6635, 5640, 6640, 7740, 7840, TN65F, TN75F, TN90F, Ind. 230A, 231, 233, 234, 250C, 260C, 333, 334, 335, 340, 340A, 340B, 3400, 345C, 345D, 420, 445, 445A, 445C</b>
16	<b>R05938</b> Nut (1/2" UNF)	C5NN1012B	<b>Same as Above</b>
17	<b>R04792</b> Wheel Bearing Kit 1x Seal (R04791) 5a 1x Inner Bearing (R02975) 6a 1x Outer Bearing (R02972) 7a		<b>2000, 3000, 4000SU, 2600, 3600, 4100, 4600SU</b>
17	<b>R04237</b> Wheel Bearing Kit 1x Seal (R04233) 5b 1x Inner Bearing (R02971) 6b 1x Outer Bearing (R02972) 7a		<b>4000, 4600, 2310, 2610, 2810, 2910, 4110, Ind. 230A, 234, 335, 530A</b>
17	<b>R04238</b> Wheel Bearing Kit 1x Seal (R04234) 5c 1x Inner Bearing (R04235) 6c 1x Outer Bearing (R04236) 7b		<b>5000, 7000, 5600, 5900, 6600, 6700, 7600, 7700, 5610, 6610, 6710, 6810, 7610, 7710, 7910, 8210, 5640, 6640, 7740, 7840</b>
17	<b>R59018</b> Wheel Bearing Kit 1x Seal (R60773) 5 1x Inner Bearing (R04235) 6c 1x Outer Bearing (R18509) 7		<b>(5000, 7000 except w/ 8.00 x 16 Wheels), 5600, 5900, 6600, 6700, 7600, 7700, 5610, 6610, 6710, 6810, 7610, (7710 except HD Axle), 7910, 8210, (3430, 3930, 4130 6/94), 4430, (4630, 4830, 5030 6/94), 4835, 5635, 6635, 7635, 5640, 6640, 7740, 7840, TN65F, TN75F, TN90F</b>

We have attempted to insure the accuracy of the information listed and reserve the right for type error.

Some part numbers and manufactures' names are used strictly for reference purpose only  
Any prices listed are subject to change without notice and are in U.S. dollars. Not all items are stocking items

## Swept Front Axles, Spindles and Related Components

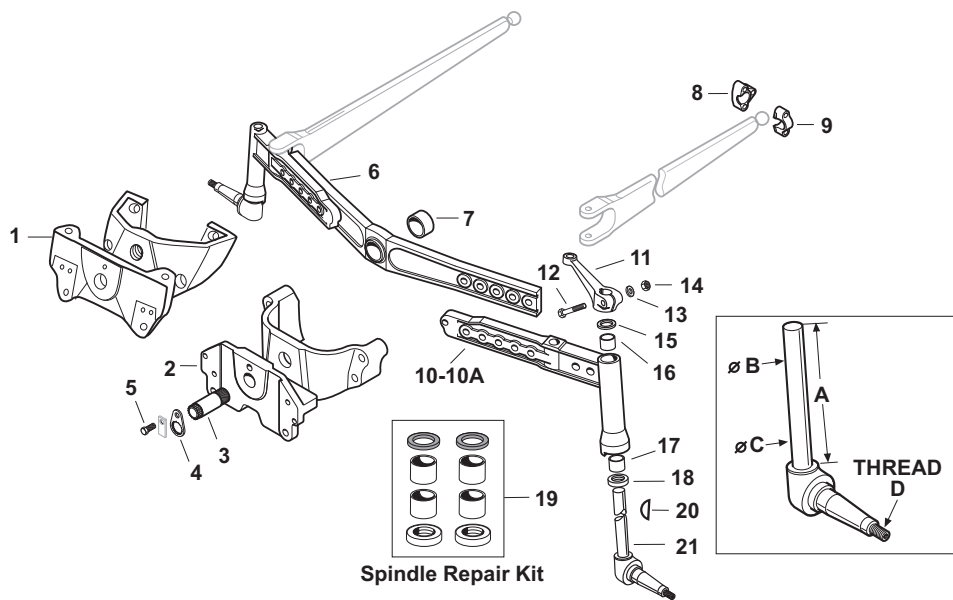


OUR #	DESCRIPTION	EQUIVALENT	TRACTOR MODEL
1	R60008 Support (1 3/4" Pin Hole)	C5NN3A042G	(2000, 3000, 4000SU, Ind. 2110LCG, 4110LCG 65-7/70)
2	R60438 Support (2" Pin Hole)	E8NN3A042BA D3NN3A042D	(2000, 3000, 4000SU 8/70->), (2600, 3600, 3900, 4100, 4600SU, 2310, 2610, 2810, 2910, 3610, 3910, 4110, 4610SU less Cab), Ind. 230A, 231, 234, 334, 530A, 531, 2110, 4110
3	R65949 Pin - Solid (No Hole!) (2" Dia)	C7NN3127D	Same as Above
4	R60465 Flange Washer	C5NN3128B	2000, 3000, 4000SU, 2600, 3600, 3900, 4100, 4600SU, 2310, 2610, 2810, 2910, 3610, 3910, 4110, 4610SU, Ind. 230A, 231, 234, 334, 530A, 531, 2110LCG, 4110LCG
5	R08938 Bolt (1/2" x 1 1/4" UNC)	304726S36	Same as Above
6	R60434 Center Axle (Use w/ 2" Dia Pin)	C7NN3010F	(2000, 3000, 4000SU 8/70->), 2600, 3600, 3900, 4100, 4600SU, 2310, 2610, 2810, 2910, 3610, 3910, 4110, 4610SU, Ind. 230A, 231, 234, 334, 530A, 531, 2110LCG, 4110LCG
7	R66014 Bushing (2" Pin)	C7NN3153B	Same as Above
8	R60458 Socket - Radius Rod Ball	E0NN3N442BA	2000, 3000, 4000SU, 2600, 3600, 3900, 4100, 4600SU, 2310, 2610, 2810, 2910, 3610, 3910, 4110, 4610SU, Ind. 230A, 231, 234, 334, 340, 530A, 531, 540, 2110LCG, 4110LCG
9	R60459 Cap - Radius Rod Ball	E0NN3N406BA	Same as Above
10	R60286 Axle Assembly w/ Bushing - RH	C7NN3006J	(2000, 3000, 4000SU 8/70->), 2600, 3600, 3900, 4100, 4600SU
10a	R60287 Axle Assembly w/ Bushing - LH	C7NN3007J	Same as Above
10	R66762 Axle Assembly w/ Bushing - RH (1 1/2" ID Lower Bushing)	E0NN3006BA	2310, 2610, 2810, 2910, 3610, 3910, 4110, 4610SU
10a	R66763 Axle Assembly w/ Bushing - LH (1 1/2" ID Lower Bushing)	E0NN3007BA	Same as Above
11	R61832 Spindle Arm - LH/RH	310799	2000, 3000, 4000SU, 2600, 3600, 3900, 4100, 4600SU, 2310, 2610, 2810, 2910, 3610, 3910, 4110, 4610SU, Ind. 230A, 231, 233, 234, 333, 334, 335, 530A, 531
12	R53797 Bolt - Steering Arm (7/16" x 2 1/4")	304862S36	Same as Above
13	R01067 Lockwasher (7/16")		Same as Above
14	R01072 Nut (7/16")	34670S36	Same as Above
15	R65140 Seal - Spindle (1 3/4" x 1 1/4" x 3/16")	C5NN3125A	Same as Above
15	R65141 Seal - Spindle (1 7/8" x 1 1/2" x 1/4")	C0NN3A208A	Ind. 3400, 335, 532
15	R65142 Seal - Spindle	C4NN3125B	(2600, 3600, 4100, 2310, 2610, 2810, 2910, 3610, 3910, 4110 w/ Cab), (Ind. 230A, 233, 234, 333, 334, 335, 530A w/ Cab)

We have attempted to insure the accuracy of the information listed and reserve the right for type error.

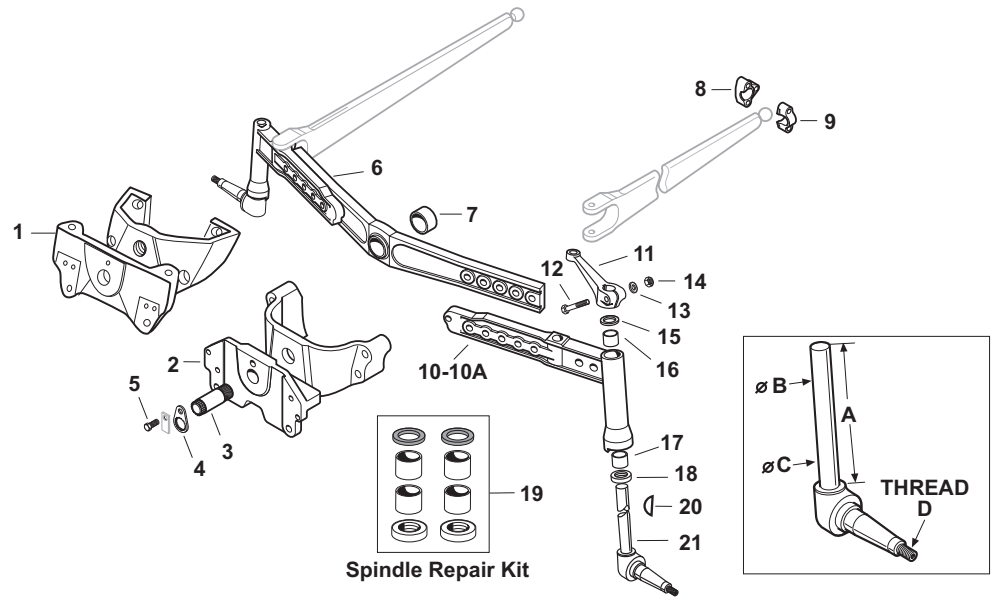
Some part numbers and manufactures' names are used strictly for reference purpose only. All prices listed are subject to change without notice and are in U.S. dollars. Not all items are stocking items.

## Swept Front Axles, Spindles and Related Components



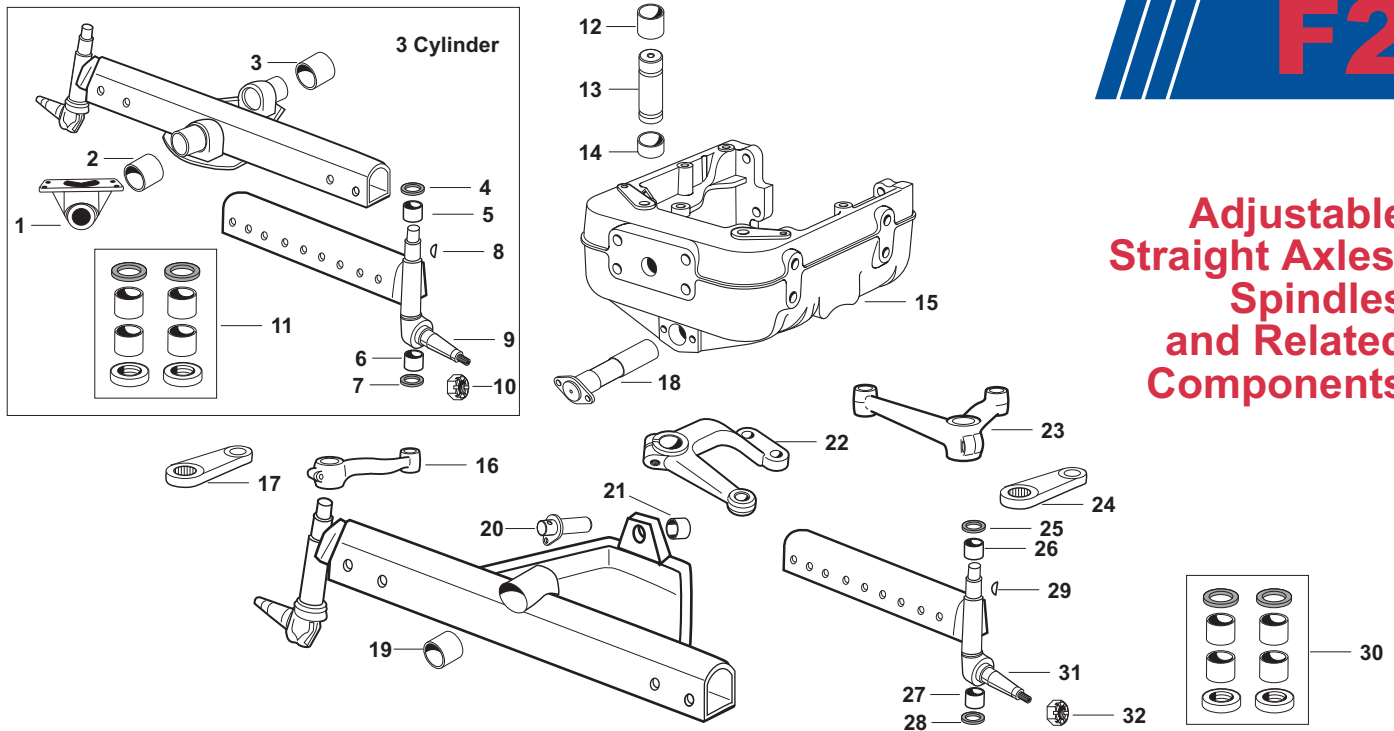
OUR #	DESCRIPTION	EQUIVALENT	TRACTOR MODEL
16	<b>R65116</b> Bushing - Upper	2N3109 957E3109B	2000, 3000, 4000SU, 2600, 3600, 3900, 4100, 4600SU, 2310, 2610, (2810, 2910, 3610, 3910, 4110, 4610SU, Ind. 230A, 231, 233, 234, 333, 334, 335, 530A, 531 2110LCG, 4110LCG less Cab)
16	<b>R65117</b> Bushing - Upper	NCA3110A 957E3110B	(2600, 3600, 4100 w/ Cab), (2310, 2610, 2810, 2910, 3610, 3910, 4110 w/ Q Cab UK), Ind. (233, 234, 333, 334, 335 w/ Cab)
17	<b>R65117</b> Bushing - Lower	NCA3110A 957E3110B	2000, 3000, 4000SU, (2600, 3600, 3900, 4100, 4600SU less Cab), (2600, 3600, 4100 w/ Cab), (2310, 2610, 2910, 3610, 3910 Manual Steering less Cab), Ind. (230A, 231, 233, 333, 531 Manual Steering less Cab), (233, 333 w/ Cab)
17	<b>R65118</b> Bushing - Lower	C5NN3110B	(2310, 2610, 2810, 2910, 3610, 3910, 4110, 4610SU w/ Power Steering) Ind. (230A, 234, 334, 335, 530A w/ Power Steering)
18	<b>R65120</b> Thrust Bearing	C0NN3123B C5NN3A299A	2000, 3000, 4000SU, 2600, 3600, 3900, 4100, 4600SU, 2310, 2610, 2810, 2910, 3610, 3910, 4110, 4610SU, Ind. 230A, 231, 234, 334, 335, 530A, 531, 2110LCG, 4110LCG
19	<b>R65107</b> Spindle Repair Kit - Contains: 2 x R65116 Bushing 2 x R65117 Bushing 2 x R65120 Bearing 2 x R65140 Seal		2000, 3000, 4000SU, 2110LCG, 4110LCG, (2600, 3600, 3900, 4100, 4600SU less Cab)
19	<b>R65110</b> Spindle Repair Kit - Contains: 4 x R65117 Bushing 2 x R65120 Bearing 2 x R65142 Seal		(2600, 3600, 4100 w/ Cab)
19	<b>R65108</b> Spindle Repair Kit - Contains: 2 x R65116 Bushing 2 x R65118 Bushing 2 x R65120 Bearing 2 x R65140 Seal		2310, 2610, 2910, 3610, 3910, 4110, 4610SU, Ind. (230A, 234, 334, 335, 530A w/ Power Steering)
20	<b>R02915</b> Woodruff Key (1/4" x 7/8")	74181S	2000, 3000, 4000SU, 2600, 3600, 3900, 4100, 4600SU, 2310, 2610, 2810, 2910, 3610, 3910, 4110, 4610SU, Ind. 230A, 231, 234, 334, 530A, 531, 2110LCG, 4110LCG
21	<b>R16626</b> Spindle - LH A=11.75", B=1.125", C=1.34", D=.75"	F2NN3106AA C5NN3106R	2000, 3000, 4000SU, 2600, 3600, 3900, 4100, 4600SU, (2310, 2610, 2910, 3610, 3910, 4110, 4610SU w/ Power Steering less Cab 81-9/82) Ind. 233, 234, 334, 335
21	<b>R16627</b> Spindle - RH	F2NN3105AA C5NN3105U	Same as Above
21	<b>R65073</b> Spindle - LH A=12.00", B=1.34", C=1.34", D=.75"	D4NN3106B	(2600, 3600, 4100, Ind. 233, 333 w/ Cab)
21	<b>R65083</b> Spindle - RH	D4NN3105B	Same as Above

## Swept Front Axles, Spindles and Related Components



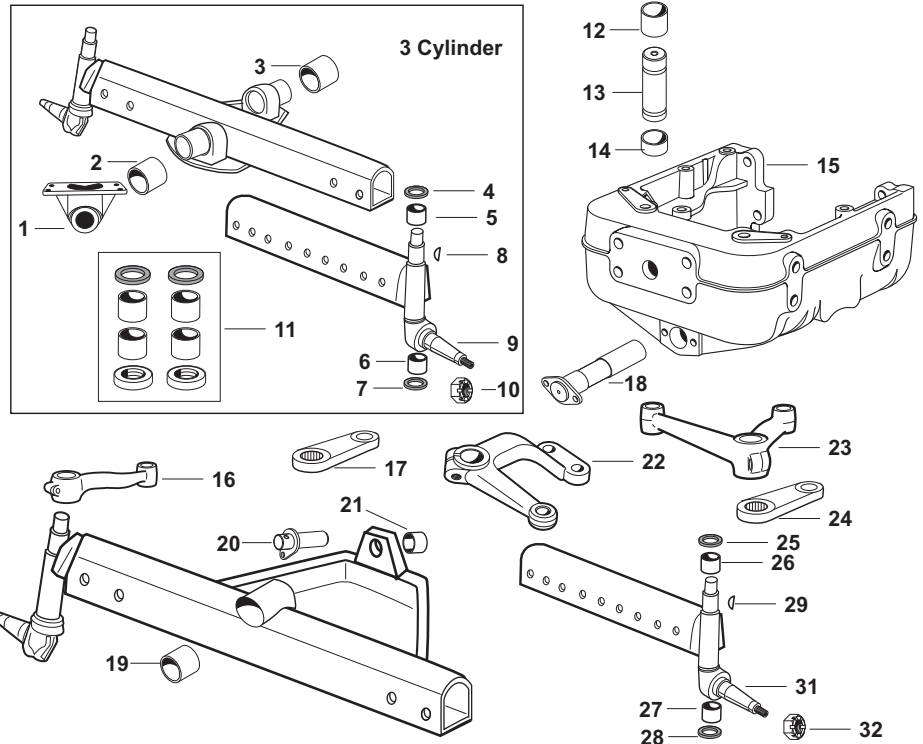
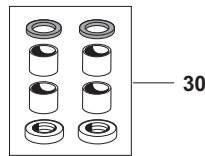
OUR #	DESCRIPTION	EQUIVALENT	TRACTOR MODEL
21	<b>R60674</b> Spindle - LH A=11.75", B=1.125", C=1.47", D=.75", E=1.813"	E0NN3106AA	(2310, 2610, 2910, 3610, 3910, Manual Steering less Cab 81-9/84), (2610, 3610, 4110, 4610SU w/ Power Steering less Cab or Lo-Profile Cab 81-2/87)
21	<b>R60673</b> Spindle - RH	E0NN3105AA	Same as ABOve
21	<b>R65753</b> Spindle - LH A=7.625", B=1.23", C=1.34", D=.75"	F2NN3106CA C1NN3106A	2110LCG, 4110LCG, 2910LCG, Ind. 230A, 231, 530A, 531
21	<b>R65754</b> Spindle - RH	F2NN3105CA C1NN3105A	Same as Above
21	<b>R65755</b> Spindle - LH A=7.26", B=1.25", C=1.34", D=.75"	F2NN3106BA E6NN3106BA	(230A, 530A, 2910LCG HD 3/87-> Double Keyway)
21	<b>R65756</b> Spindle - RH	F2NN3105BA E6NN3105BA	Same as Above

## Adjustable Straight Axles, Spindles and Related Components



OUR #	DESCRIPTION	EQUIVALENT	TRACTOR MODEL
1	<b>R66513</b> Front Axle Bracket - less Bushing	C5NN3N050B	4000, 4600, 4610, (3230, 3430, 3930, 4130, 4630, 4830, 5030 6/94->)
2	<b>R66708</b> Bushing - Axle Bracket	C5NN3N052A	Same as Above
3	<b>R66803</b> Bushing - Rear Pin	C5NN3N443A	Same as Above
4	<b>R65141</b> Seal - Spindle	C0NN3A208A	3010S, Ind. 335, 3400, 532
4	<b>R65140</b> Seal - Spindle	C5NN3125A	4000
4	<b>R65143</b> Seal - Spindle	D4NN3125A	4600, 4610, 3230, 3430, 3930, 4130, 4630
5	<b>R65115</b> Bushing - Upper	C5NN3109A	3010S
5	<b>R65116</b> Bushing - Upper	2N3109 957E3109B	4000
5	<b>R65118</b> Bushing - Upper	C5NN3110B	4600, 4610, (3230, 3430, 3930, 4130, 4630 3/90-5/93)
6	<b>R65119</b> Bushing - Lower	C5NN3110A	3010S
6	<b>R65118</b> Bushing - Lower	C5NN3110B	4000, 4600, 4610, (3230, 3430, 3930, 4130, 4630 3/90-5/93)
7	<b>R65122</b> Thrust Bearing	138712 C0NN3A299A	3010S, Ind. 340, 3400, 335, 532, 540
7	<b>R65120</b> Thrust Bearing	C0NN3123B C5NN3A299A	4000, 4600, 4610, 3230, 3430, 3930, 4630
8	<b>R02918</b> Woodruff Key (1/4" x 1 1/4")	74188S8	4000, Ind. 340, 540
8	<b>R65093</b> Woodruff Key (5/16" x 1 1/2")	74195S	3010S, 4600, 4610
9	<b>R16474</b> Spindle - LH A=12.06", C=1.125", C=1.470", D=.75"	C5NN3106N	(4000 All purpose only)
9	<b>R16475</b> Spindle - RH	C5NN3105T	Same as Above
9	<b>R16476</b> Spindle - LH A=12.19", B=1.47", C=1.47", D=.75"	D4NN3106A	(4600, 4610 All purpose only)
9	<b>R16477</b> Spindle - RH	D4NN3105A	Same as Above
10	<b>R40213</b> Slotted Nut (3/4" UNF)	387930S36	All Models

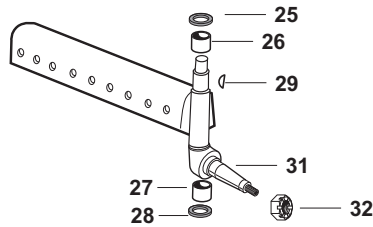
## Adjustable Straight Axles, Spindles and Related Components



OUR #	DESCRIPTION	EQUIVALENT	TRACTOR MODEL
11	<b>R65108</b> Spindle Repair Kit - Contains: R65116 x 2, R65118 x 2, R65121 x 2, R65140 x 2		<b>4000</b>
11	<b>R65111</b> Spindle Repair Kit - Contains: R65118 x 4, R65121 x 2, R65143 x 2		<b>4600, 4610</b>
12	<b>R65779</b> Bushing - Steering Shaft - Upper (1" Long)	C5NN3179A	<b>(5000 65-1/66), Ind. (4400 65-1/66), 4500</b>
12	<b>R65748</b> Bushing - Steering Shaft - Upper (1 3/8" Long)	C5NN3179B	<b>(5000 2/66-&gt;), 7000, 5600, 5900, 6600, 7600, 5610, 6610, 7610, Ind. (4400 2/66-&gt;), 515</b>
13	<b>R65179</b> Steering Shaft (4 1/4" Long)	C5NN3N703C	<b>(5000 6/66-&gt;), 7000, 5600, 5900, 6600, 7600, 5610, 6610, 7610, Ind. (4400 2/66-&gt;), 515</b>
14	<b>R65779</b> Bushing - Steering Pin - Lower (1" Long)	C5NN3179A	<b>5000, 7000, 5600, 5900, 6600, 7600, 5610, 6610, 7610, Ind. 4400, 4500, 515, 535</b>
15	<b>R60406</b> Support - less Bushings	E5NN3029BA	<b>(5000 9/70-&gt;), 7000, 5600, 5900, 6600, 7600, 5610, 6610, 7610</b>
16	<b>R66020</b> Steering Arm - RH	C5NN3130J	<b>(5000, 5600, 6600, 5610, 6610 Manual Steering Only)</b>
17	<b>R66754</b> Steering Arm - RH	82003634 E9NN3130AB	<b>5640, 6640, 7740, 7840, 8240, TS90, TS100, TS110</b>
18	<b>R11553</b> Pin - Front Axle to Support	C5NN3N159A	<b>5000, 7000, 5600, 5900, 6600, 7600, (5610, 6610, 7610, 2 wd, 4 wd 81-4/84), Ind. 3500, 3550, 4400, 420, 515</b>
18	<b>R66489</b> Pin - Front Axle to Support	82003062 F0NN3126AA	<b>(5640, 6640, 7740, 7840, 8240, 8340 2 wd only)</b>
19	<b>R65150</b> Bushing - Front Pin	C5NN3153A	<b>5000, 7000, 8000, 8600, 8700, 9000, 9600, 9700, TW5, TW10, TW20, TW25, TW30, TW35, 5600, 5900, 6600, 6700, 7600, 7700, 5610, 6610, 6710, 6810, 7810, 7810S, 7910, 8210, 8530, 8630, 8730, 8830, 5640, 6640, 7740, 7840, 8240, 8340, Ind. 3500, 3550, 4400, 420, 515</b>
20	<b>R11554</b> Pin - Rear - Front Axle to Oil Pan	C5NN3N160A	<b>5000, 7000, 5600, 5900, 5600, 7600, 6610, 6610, 7610, (5610, 6610, 7610 4 wd 81-4/84)</b>
21	<b>R65151</b> Bushing - Rear Pin	C5NN3446A	<b>5000, 7000, 5600, 5900, 6600, 7600, 5610, 6610, 6810, 7610, 7810</b>
21	<b>R65150</b> Bushing - Rear Pin	C5NN3153A	<b>5640, 6640, 7740, 7840, 8240, 8340</b>
22	<b>R65741</b> Steering Arm	D6NN3N670A	<b>(5000 9/70-&gt;), 7000, 5600, 5900, 6600, 7600, 5610, 6610, 7610</b>
23	<b>R66021</b> Steering Arm - LH	C5NN3131J	<b>5000, 5600, 6600, 5610, 6610, Manual Steering</b>
24	<b>R66755</b> Steering Arm - LH	82003635 E9NN3131AA	<b>5640, 6640, 7740, 7840, 8240, TS90, TS100, TS110</b>

We have attempted to insure the accuracy of the information listed and reserve the right for type error.

Some part numbers and manufactures' names are used strictly for reference purpose only. Any prices listed are subject to change without notice and are in U.S. dollars. Not all items are stocking items.

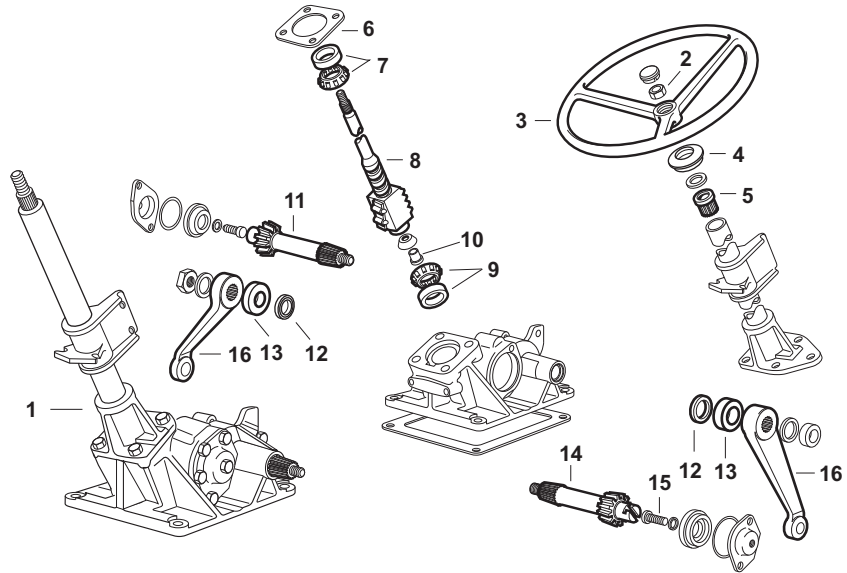


## Adjustable Straight Axles, Spindles and Related Components

OUR #	DESCRIPTION	EQUIVALENT	TRACTOR MODEL
25	<b>R65141</b> Seal - Spindle	C0NN3A208AA	5000, 7000, (8000, 9000 68-8/68), 5600, 5900, 6600, 7600, 5610, 6610, 7610, 7810
25	<b>R66756</b> Seal - Spindle	D9NN3A208AA	8000, 8600, 8700, 9000, 9600, 9700, TW5, TW10, TW15, TW20, TW25, TW30, TW35, 6700, 7700, 6710, 7710, 7810, 7910, 8530, 8630, 8830, TS90, TS100, TS110
26	<b>R65115</b> Bushing - Upper	C5NN3109A	5000, 7000, 8000, 8600, 9000, 9600, 5600, 5900, 6600, 7600, 5610, 5610S, 6610, 6610S, 6810, 7610, 7610S, 7810, 7810S
26	<b>R66607</b> Bushing - Upper	D5NN3109B	8700, 9700, TW5, TW10, TW15, TW20, TW25, 6700, 7700, 6710, 7710, 7810, 7910, 8530, 8630, 8730, 8830, 5640, 6640, 7740, 8240, 8340, TS90, TS100, TS110
26	<b>R65118</b> Bushing - Upper	C5NN3110B	4830, 5030
27	<b>R65119</b> Bushing - Lower	C5NN3110A	5000, 7000, 5600, 6600, 7600, 5610, 5610S, 6610, 6610S, 7610, 7610, 7810, 7810S
27	<b>R66316</b> Bushing - Lower	C0NN3110A	8000, 8600, 8700, 9000, 9600, 9700, TW5, TW10, TW15, TW20, TW25, 6700, 7700, 6710, 7710, 7810, 7910, 8210, 8530, 8630, 8730, 8830, 5640, 6640, 7740, 8240, 8340, TS90, TS100, TS110
27	<b>R65118</b> Bushing - Lower	C5NN3110B	4830, 5030
28	<b>R65122</b> Thrust Bearing	C0NN3A299A 138712	5000, 7000, 8000, 8600, 8700, 9000, 9600, 9700, TW5, TW10, TW15, TW20, TW25, TW30, TW35, 5600, 5900, 6600, 6700, 7600, 7700, 5610, 6610, 6610S, 6810, 7610, 7810, 7910, 8210, 8530, 8630, 8730, 8830, 5640, 6640, 7740, 8240, 8340, TS90, TS100, TS110
28	<b>R65120</b> Thrust Bearing	C0NN3123B C5NN3A299A	4830, 5030
29	<b>R65093</b> Woodruff Key (5/16" x 1 1/2")	74195S	5000, 7000, 8000, 8600, 9000, 9600, 5600, 5900, 6600, 7600, 5610, 6610, 6610, 7610, 7810
30	<b>R65109</b> Spindle Repair Kit - Contains: 2 x R65115, 2 x R65119, 2 x R65122, 2 x R65141	C5NN3110B	5000, 7000, 5600, 5900, 6600, 7600, 3010S, 5610, 6610, 7610, 7810
31	<b>R16285</b> Spindle - LH A=10.69", B=1.641", C=1.75", D=.75"	C5NN3106J	(5000, 7000, 5600, 5900, 6600, 7600, 5610, 6610, 6810, 7610, 7810, 7810S w/ out 10 x 16 Tires)
31	<b>R16284</b> Spindle - RH	C5NN3105M	Same as Above
31	<b>R60675</b> Spindle - LH A=10.67", B=1.63", C=1.75", D=.87"	D2NN3106C	(5000, 7000 6/73->), (5600, 6600, 7600 1/75-9/76), w/ 10 x 16 Tires
31	<b>R60676</b> Spindle - RH	D2NN3105C	Same as Above
31	<b>R66152</b> Spindle - LH	D5NN3106F	(6700, 7700, 6710, 7710, Low Clearance), 7810, 7910, 8210
31	<b>R66151</b> Spindle - RH	D5NN3105F	Same as Above
31	<b>R61482</b> Spindle - LH/RH A=12", B=1.72", C=1.93", D=.75"	E9NN3105EB	5640, 6640, 7740, 7840, TS90, TS100, TS110
32	<b>R40213</b> Slotted Nut (3/4" UNF)	387930536	Most Models



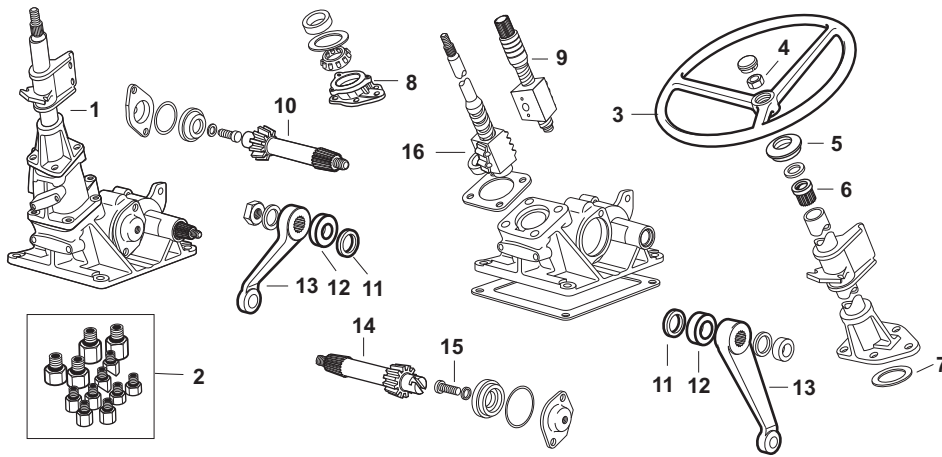
## Manual Steering Box and Related Components (Double Arm)



OUR #	DESCRIPTION	EQUIVALENT	TRACTOR MODEL
1	<b>R73530</b> Steering Box Assembly - less Cab Replaces old style box w/ new 10 Series box	E4NN3503CA	2000, 3000, 2600, 3600, 3900, 2610, 2810, 2910, 3610, 3910, Ind. 230A, 231, 233, 234, 333, 334, 335, 530A, 531, 2110LCG, 4110LCG (10/84->)
2	<b>R65155</b> Nut - Steering Wheel	D5NN3N602A	Same as Above
3	<b>R60739</b> Steering Wheel w/ Round Cap (17 3/4" Dia, 3 3/4" Dish)	D6NN3600B	Same as Above
3	<b>R65744</b> Steering Wheel w/ Triangular Cap (16 3/4" Dia, 5" Dish)	D6NN3600B	Same as Above
4	<b>R61386</b> Grommet - Column	D2NN3A566B	Same as Above
5	<b>R65153</b> Bushing - Column	C5NN3517A	(2000, 3000, 2600, 3600, 3900 ->3/76)
6	<b>R61623</b> Shim Kit - Contains: 2 x .005" 2 x .010", 2 x .020"		2000, 3000, 2600, 3600, 3900, (2610, 2810, 2910, 3610, 3910 ->10/84), Ind. (230A ->10/84), 231, 233, 234, 333, 334, 335, (530A ->10/84), 531, 2110LCG, 4110LCG
7	<b>R65160</b> Cup & Bearing Assembly - Upper	C5NN3552A C5NN3N615A	(2000, 3000 65-8/68), Ind. (2110LCG, 4110LCG 65-8/68)
7	<b>R65161</b> Cup & Bearing Assembly - Upper	C7NN3552A C5NN3N615A	(2000, 3000 8/68->), 2600, 3600, 3900, (2610, 2810, 2910, 3610, 3910 ->10/84), Ind. (230A ->10/84), 231, 233, 234, 333, 334, (335, 530A ->10/84), 531, 2110LCG, 4110LCG
8	<b>R65156</b> Shaft & Ballnut Assembly - less Lower Bearing, less Cab	D2NN3A710B	2000, 3000, 2600, 3600, 3900, Ind. 231, 233, 333, 335, 531
8	<b>R66024</b> Shaft & Ballnut Assembly - less Lower Bearing, less Cab	E4NN3A710BA	(2310, 2610, 2810, 2910, 3610, Ind. 230A, 234, 334, 530A 10/84>)
9	<b>R65160</b> Cup & Bearing Assembly - Lower	C5NN3552A C5NN3N615A	2000, 3000, 2600, 3600, 3900, 2610, 2810, 2910, 3610, 3910, Ind. 230A, 231, 233, 234, 333, 334, 335, 530A, 531, 2110LCG, 4110LCG (->10/84)
10	<b>R65165</b> Eyelet	C5NN3N559A	Same as Above
11	<b>R60694</b> Sector - Single (5 Teeth)	C7NN3N575A	Same as Above
12	<b>R66622</b> Sector Seal (1.25" x 1.44")	C5NN3C615A	2000, 3000, (2600, 3600, 3900 75-3/77), Ind. (231, 233, 333, 335, 531, 75-3/77), 2110LCG, 4110LCG
13	<b>R65375</b> Sector Seal (Felt) Dust	C5NN3586A	2000, 3000, 2600, 3600, 3900, 2610, 2810, 2910, 3610, 3910, Ind. 230A, 231, 233, 234, 333, 334, 335, 530A, 531, 2110LCG, 4110LCG (10/84->)
14	<b>R60695</b> Sector - Double (7 Teeth)	C7NN3N576A	2000, 3000, 2600, 3600, 3900, 2610, 2810, 2910, 3610, 3910, Ind. 230A, 231, 233, 234, 333, 334, 335, 530A, 531, 2110LCG, 4110LCG (->10/84)
15	<b>R61863</b> Screw - Steering Adjustment	D8NN3C539AA	Same as Above
16	<b>R66360</b> Drop Arm	C5NN3590F	2000, 3000, 2600, 3600, 3900, (2610, 3610, 3910 ->9/84), Ind. (230A, 231, 233, 234, 333, 334, 530A, 531, 532 ->9/84)

We have attempted to insure the accuracy of the information listed and reserve the right for type error.

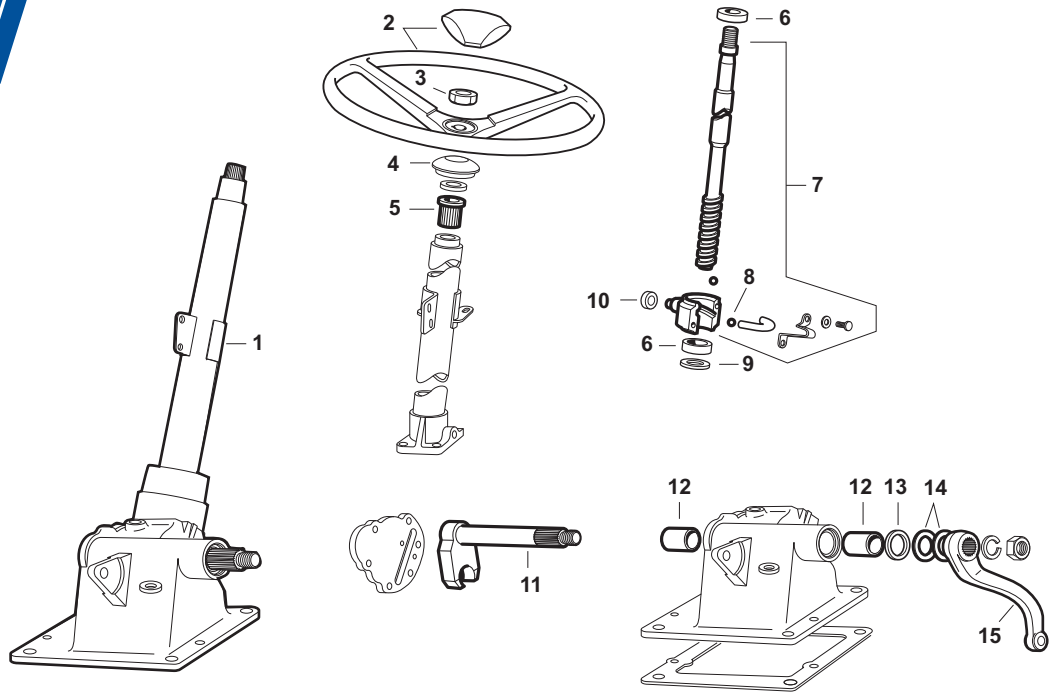
Some part numbers and manufactures' names are used strictly for reference purpose only. Any prices listed are subject to change without notice and are in U.S. dollars. Not all items are stocking items.



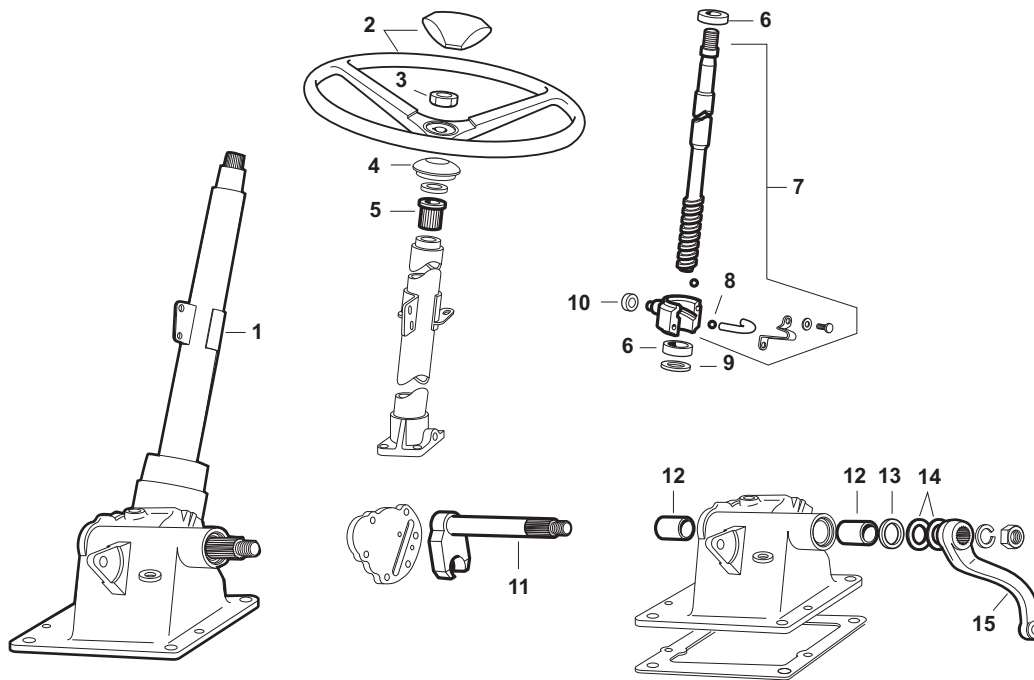
## Power Steering Box and Related Components (Double Arm)

OUR #	DESCRIPTION	EQUIVALENT	TRACTOR MODEL
1	<b>R61153</b> Complete Steering Box Assembly less Cab - Note: This is a new style 10 Series Gear Box. When fitting to a pre-1984 tractor use Fitting Kit R65555	E4NN3N503CB	2000, 3000, 4000SU, 2600, 3600, 3900, 4100, 4600SU, 2310, 2610, 2810, 2910, 3610, 3910, 4110, 4610SU, Ind. 230A, 231, 234, 334, 335, 3400, 530A, 531, 2110LCG, 4110LCG
2	<b>R65555</b> Fitting Kit (See Note Above)		Same as Above (->10/84)
3	<b>R60739</b> Steering Wheel w/ Round Cap (17 3/4" Dia, 3 3/4" Dish)	D6NN3600B	2000, 3000, 2600, 3600, 3900, 2610, 2810, 2910, 3610, 3910, Ind. 230A, 231, 233, 234, 333, 334, 335, 530A, 531, 2110LCG, 4110LCG (10/84->)
3	<b>R65744</b> Steering Wheel w/ Triangular Cap (16 3/4" Dia, 5" Dish)		Same as Above
3	<b>R66800</b> Steering Wheel w/ Round Cap (15" Dia - 4" Dish)	D7NN3600A	Same as Above
4	<b>R65155</b> Nut - Steering Wheel	D5NN3N602A	Same as Above
5	<b>R61386</b> Grommet - Column	D2NN3A566B	Same as Above
6	<b>R65153</b> Bushing - Column	D5NN3517A	(2600, 3600, 3900 4/76->), 2310, 2610, 2810, 2910, 3610, 3910, 4110, 4610, Ind. 230A, (231 4/76->), 234, 334, 530A, 531
7	<b>R65181</b> Seal - Upper (Viton)	E1NN3N632AA D5NN3N632A	2000, 3000, 4000SU, 2600, 3600, 3900, 4100, 4600SU, 2310, 2610, 2810, 2910, 3610, 3910, 4110, 4610SU, Ind. 230A, 231, 234, 334, 335, 530A, 532, 3400, 2110LCG, 4110LCG
7	<b>R08915</b> Seal - Upper (Nitrile)	E1NN3N632AA D5NN3N632A	Same as Above
8	<b>R61625</b> Adaptor Housing - Bare (Seal, Bearing Not Included)	D9NN3N748AA	2000, 3000, 4000SU, 2600, 3600, 4100, 4600SU, (2310, 2610, 2910, 3610, 3910, 4110, 4610SU ->10/84), Ind. (230A ->10/84), 231, (234, 334 ->10/84), 335, (530A ->10/84), 531, 532, 3400, 2110LCG, 4110LCG
9	<b>R61951</b> Steering Shaft & Ball Nut Assembly	E4NN3A710DB	(2310, 2610, 2810, 2910, 3610, 3910, 4110, 4610SU 10/84->), Ind. (230A, 234, 334, 335, 530A 10/84->)
10	<b>R60694</b> Sector - Single (5 Teeth)	C7NN3N575A	2000, 3000, 4000SU, 2600, 3600, 4100, 4600SU, (2310, 2610, 2910, 3610, 3910, 4110, 4610SU ->10/84), Ind. (230A ->10/84), 231, 233, (234, 334 ->10/84), 335, (530A ->10/84), 531, 532, 3400, 2110LCG, 4110LCG
11	<b>R66622</b> Sector Seal (1.25" x 1.44")	C5NN3C615A	2000, 3000, 4000SU, (2600, 3600, 3900, 4100, 4600SU ->3/77), (Ind. (231, 335, 531, 532 ->3/77), 3400, 2110LCG, 4110LCG
12	<b>R65375</b> Sector Seal (Felt) Dust	C5NN3586A	2000, 3000, 4000SU, 2600, 3600, 4100, 4600SU, (2310, 2610, 2910, 3610, 3910, 4110, 4610SU ->10/84), Ind. (230A ->10/84), 231, 233, (234, 334 ->10/84), 335, (530A ->10/84), 531, 532, 3400, 2110LCG, 4110LCG
13	<b>R66360</b> Drop Arm	C5NN3590F	Same as Above
14	<b>R60695</b> Sector - Double (7 Teeth)	C7NN3N576A	Same as Above
15	<b>R61863</b> Screw - Steering Adjustment	D8NN3C539AA	Same as Above
16	<b>R67000</b> Steering Shaft & Ball Nut Assembly	D6NN3A710A	2000, 3000, 4000SU, 2600, 3600, 4100, 4600SU, (2310, 2610, 2910, 3610, 3910, 4110, 4610SU ->9/84), Ind. 230A, 231, 234, 2110LCG, 334, 335, 3400, 4110LCG, (530A ->9/84), 531, 532

## Non-Orbital Steering Box and Related Components (Single Arm)



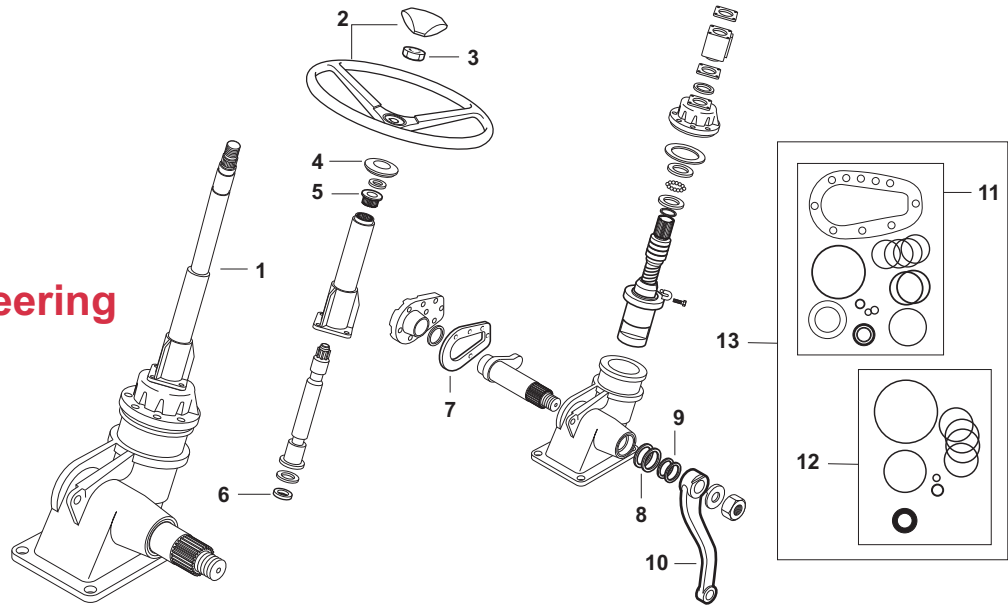
OUR #	DESCRIPTION	EQUIVALENT	TRACTOR MODEL
1	<b>R66570</b> Steering Box Assembly	E0NN3503CA D7NN3503C	(4000 Manual Steering), (4000 Power Steering 65-7/70), (4600, 4610 Manual less Cab), (3430, 3930, 4130, 4630 Manual 3/90-5/93), (4830 Manual 7/90-1/92), Ind. 3500, 3550, 420
1	<b>R66811</b> Steering Box Assembly Note: When making a right turn Steering Arm moves forward)	D7NN3503E	(Ind. 4400, 4500, 515, 535 w/ Power Steering)
1	<b>R73523</b> Steering Box Assembly	D7NN3503A	(5000 Manual Steering), (5600, 5900, 6600, 7600, 5610, 6610 Manual Steering less Cab)
1	<b>R66830</b> Steering Box Assembly Note: When making a right turn Steering Arm moves forward)	C5NN3503E	(5000 Power Steering 65-8/70)
2	<b>R60739</b> Steering Wheel w/ Round Cap (17 3/4" Dia, 3 3/4" Dish)	D6NN3600B	(4000 Manual Steering), (4000 Power Steering 65-7/70), (5000 Manual Steering), (5000 Power Steering 65-8/70), (5600, 5900, 6600, 7600, 5610, 6610 Manual Steering less Cab), (4600, 4610 Manual less Cab), (3430, 3930, 4130, 4630 Manual 3/90-5/93), (4830 Manual 7/90-1/92), Ind. 3500, 3550, 420, (4400, 4500, 515, 535 w/ Power Steering),
2	<b>R65744</b> Steering Wheel w/ Triangular Cap (16 3/4" Dia, 5" Dish)	D6NN3600B	Same as Above
3	<b>R65155</b> Nut - Steering Wheel	D5NN3N602A	Same as Above
4	<b>R61386</b> Grommet - Column	D2NN3A566B	4000, 5000, 4600, 5600, 6600, 7600, 5610, 6610, 3430, 3930, 4130, 4630, 4830, Ind. 420, 3500, 3550, 4400, 4500, 515, 535
5	<b>R65153</b> Bushing - Column	D5NN3517A	(4600, 5600, 6600, 7600 Manual Steering) (2310, 2610, 2910, 3610, 3910, 4110, 4610 Manual w/ Cab), (3430, 3930, 4130, 4630, 4830, 5030 Manual), Ind. 535
6	<b>R65162</b> Bearing - Upper/Lower	E1ADKN3556	(4000 Manual), (4000 Power 65-7/70), (4600, 4610 Manual less Cab), (5000 Manual, 5000 Power 65-8/70), (5600, 5900, 6600, 7600 Manual), (5610, 6610 Manual), (2310, 2610, 2910, 3610, 3910, 4110, 4610 Manual w/ Cab), (3430, 3930, 4130, 4630, 4830, 5030, Manual), Ind. 3500, 3550, 4400, 4500, 515, 535
7	<b>R65157</b> Shaft & Nut Assembly - RH Spiral	D2NN3A710D	(4000 Manual), (4000 Power 65-7/70), (4600 Manual less Cab), (3230, 3430, 3930, 4130, 4630, 4830, 5030 Manual), Ind. 3500, 3550, 420
7	<b>R60470</b> Shaft & Nut Assembly - LH Spiral	D2NN3A710E	Ind. 4400, 4500, 515, 535
7	<b>R65158</b> Shaft & Nut Assembly - RH Spiral	D2NN3A710A	(5000 Manual), (5600, 6600, Manual less Cab), (5610, 6610 Manual)
7	<b>R66023</b> Shaft & Nut Assembly - LH Spiral	C5NN3A710A	(5000 Power Steering 65-7/70)



## Non-Orbital Steering Box and Related Components (Single Arm)

OUR #	DESCRIPTION	EQUIVALENT	TRACTOR MODEL
8	<b>R65789</b> Steel Ball (3/8") 14 Required	353075S	(4000 Manual), (4000 Power 65-7/70), (4600 Manual less Cab), (5000 Manual), (5000 Power Steering 65-8/70), (5600, 6600, Manual less Cab), (5610, 6610 Manual), (2310, 2610, 2910, 3610, 3910, 4110, 4610 Manual w/ Cab), (3230, 3430, 3930, 4130, 4630, 4830, 5030 Manual), Ind. 3500, 3550, 400, 420, 4500, 515, 535
9	<b>R65799</b> Spacer	C5NN3N551B	(5000 Manual), (5000 Power Steering 65-7/70), (5600, 5900, 6600 Manual), (5610, 6610 Manual)
10	<b>R65164</b> Roller	E1ADKN3572	(4000 Manual), (4000 Power Steering 65-7/70), (4600, 5000 Manual), (5000 Power 65-7/70), (5600, 5900, 6600 Manual), (2310, 2610, 2910, 3610, 3910, 4110, 4610 Manual w/ Cab), (5610, 6610 Manual), Ind. 3500, 3550, 4400, 4500, 233, (234, 334, 335 Manual w/ Cab), 420, 535
11	<b>R66017</b> Rocker Shaft	C9NN3575C	(4000 Manual), (4000 Power Steering 65-7/70), (4600 Manual), (2310, 2610, 2910, 3610, 3910, 4110, 4610 Manual w/ Cab), Ind. 3500, 3550, 4400, 4500, 233, (234, 334, 335 Manual w/ Cab), 420, 535
11	<b>R65163</b> Rocker Shaft	F1NN3575AA FF559 C5NN3575A	(5000 Manual), (5000 Power Steering 65-7/70), (5600, 5900, 6600, 7600 Manual), (5610, 6610 Manual w/ Cab),
12	<b>R65739</b> Bushing	C5NN3N654B C5NN3N654A	Same as Above
13	<b>R03728</b> Seal - Rocker Shaft	C5NN3C615B	(4600, 5600, 6600, 7600 Manual Steering) (2310, 2610, 2910, 3610, 3910, 4110, 4610 Manual w/ Cab), (3430, 3930, 4130, 4630, 4830, 5030 Manual), Ind. 535
14	<b>R12842</b> Felt Seal	C5NN3528C	(4000 Manual), (4000 Power 65-7/70), (4600, 4610 Manual less Cab), (5000 Manual, 5000 Power 65-8/70), (5600, 5900, 6600, 7600 Manual), (5610, 6610 Manual), (2310, 2610, 2910, 3610, 3910, 4110, 4610 Manual w/ Cab), (3430, 3930, 4130, 4630, 4830, 5030, Manual), Ind. 3500, 3550, 4400, 4500, 515, 535
15	<b>R66362</b> Drop Arm	C5NN3590A	(4600, 5600, 6600, 7600 Manual Steering) (2310, 2610, 2910, 3610, 3910, 4110, 4610 Manual w/ Cab), (3430, 3930, 4130, 4630, 4830, 5030 Manual), Ind. 535

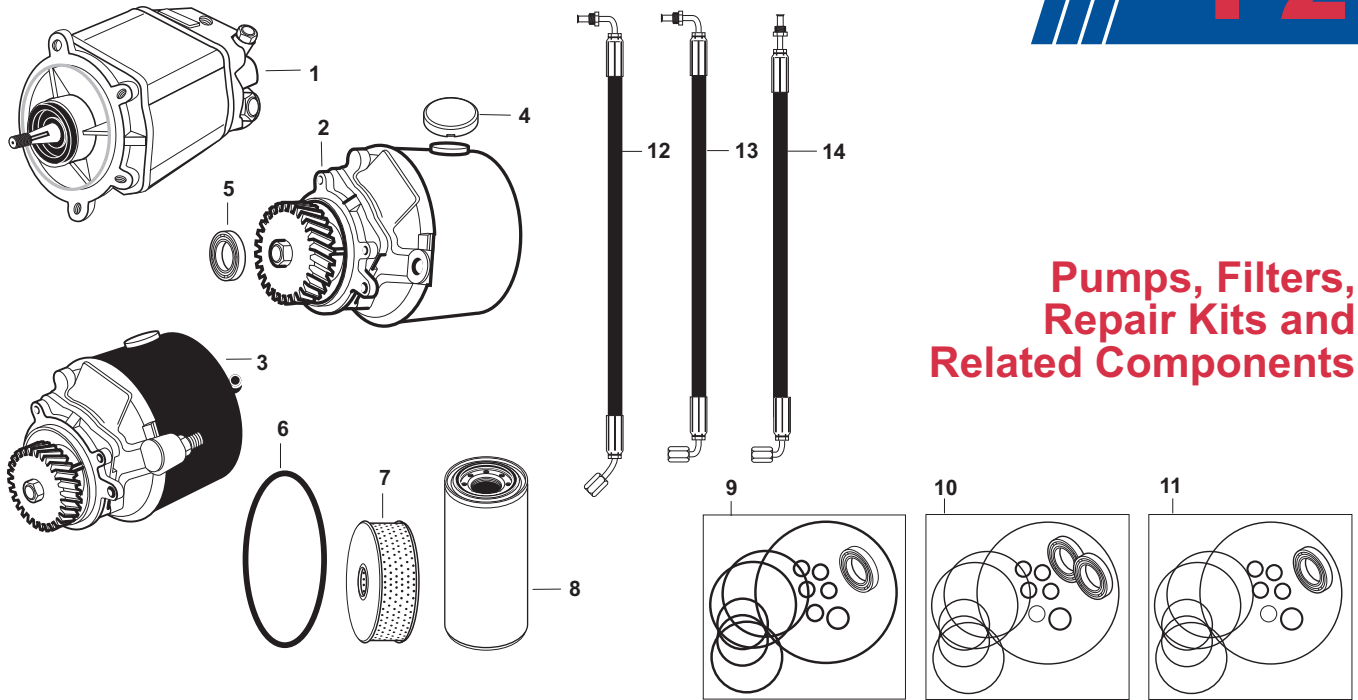
## Orbital Power Steering and Related Components (Single Arm)



OUR #	DESCRIPTION	EQUIVALENT	TRACTOR MODEL
1	<b>R61154</b> Steering Box Assembly	E1NN3N503AC	(4000 8/70->), (4600 less Cab), Ind. 340, 540
1	<b>R61185</b> Steering Box Assembly	E1NN3N503BC	(5000 9/70->), 7000, (5600, 6600, 7600 less Cab), (5610, 6610, 7610 less Cab ->3/85)
2	<b>R60739</b> Steering Wheel w/ Round Cap (17 3/4" Dia, 3 3/4" Dish)	D6NN3600B	All Models w/ Orbital Steering
2	<b>R65744</b> Steering Wheel w/ Triangular Cap (16 3/4" Dia, 5" Dish)	D6NN3600B	All Models w/ Orbital Steering
2	<b>R66800</b> Steering Wheel (15" Dia. 4" Dish)	D7NN3600A	(2600, 3600, 4100 w/ Cab), 4600, 5600, 5900, 6600, 7600, (2610, 3610, 4610 w/ Cab), 3230, 3430, 3930, 4130, 4630, 4830, 5030, Ind. (234, 334 w/ Cab), 340, 540
3	<b>R65155</b> Steering Wheel Nut	D5NN3N602A	All Models w/ Orbital Steering
4	<b>R61386</b> Grommet - Column	D2NN3A566B	4000, 5000, 7000, (2600, 3600, 4100, w/ Cab), 4600, 5600, 5900, 6600, 7600, (2610, 3610, 4610 w/ Cab), 5610, 6610, 7610, 3230, 3430, 3930, 4130, 4630, 4830, 5030, Ind. (234, 334 w/ Cab), 340, 540
5	<b>R65153</b> Bushing - Column	D5NN3517A	(3600, 4100, 5600, w/ Cab), (2610, 3610 w/ Cab), 4610, 5610, 6610, 7610, 5900, 3230, 3430, 3930, 4130, 4630, 4830, 5030, Ind. 340, 540, (234, 334 w/ Cab)
6	<b>R65181</b> Seal - Upper (Viton)	E1NN3N632AA	4000, 5000, 7000, (2600, 3600, 4100, w/ Cab), 4600, 5600, 5900, 6600, 7600, (2610, 3610, 4610 w/ Cab), 5610, 6610, 7610, 3230, 3430, 3930, 4130, 4630, 4830, 5030, Ind. (234, 334 w/ Cab), 340, 540
6	<b>R08915</b> Seal - Upper (Nitrile)	E1NN3N632AA	Same as Above
7	<b>R12699</b> Gasket - Side Cover	C9NN3N598A	Same as Above
8	<b>R65813</b> Seal - Shaft	C9NN3C615B	(5000 7/70->), 7000, 5600, 5900, 6600, 7600, 5610, 6610, 7610
9	<b>R12842</b> Seal - Shaft (Felt)	C5NN3528A	(4000, 5000 7/70->), 7000, 4600, 5600, 5900, 6600, 7600, (2610, 3610, w/ Cab), 4610, 5610, 6610, 7610, 3230, 3430, 3930, 4130, 4630, 4830, 5030, Ind. (234, 334 w/ Cab), 340, 540
10	<b>R61851</b> Drop Arm	C7NN3590B	(5000 7/70->), 7000, 5600, 5900, 6600, 7600, 5610, 6610, 7610
11	<b>R12474</b> Gasket - Seal Kit	EDPN3500A	(4000, 5000 7/70->), 7000
12	<b>R08920</b> Seal Kit	EGPN3N503AA	(4000, 5000 7/70->), 7000, 4600, 5600, 6600, 7600
13	<b>R65782</b> Seal Kit - Contains: R12474 x1, R08920 x1	EDPN3500A EGPN3N503AA	Same as Above

We have attempted to insure the accuracy of the information listed and reserve the right for type error.

Some part numbers and manufactures' names are used strictly for reference purpose only. All prices listed are subject to change without notice and are in U.S. dollars. Not all items are stocking items.



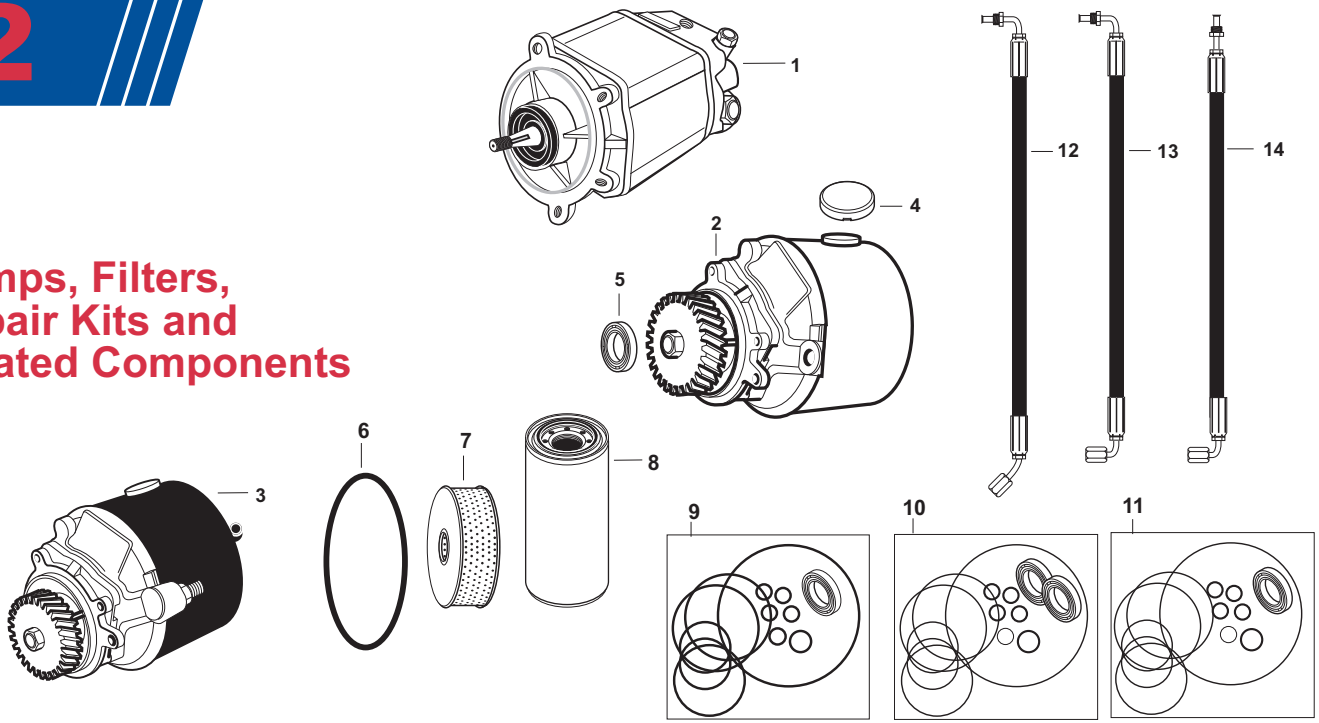
## Pumps, Filters, Repair Kits and Related Components

OUR #	DESCRIPTION	EQUIVALENT	TRACTOR MODEL
1	<b>R61316</b> Power Steering Pump w/ External Reservoir (650 psi)	C7NN3A674C	(2000, 3000 65-9/68), Ind. (2110LCG 65-9/68), (3400 65-4/70)
1	<b>R60657</b> Power Steering Pump w/ External Reservoir (1100 psi)	C7NN3A674D	(5000 All Purpose 65-9/68), (County 754 1/68-10/68), Ind. (4400 65-4/70)
1	<b>R61186</b> Power Steering Pump w/ External Reservoir (1100 psi)	C7NN3A674G	(4200 Rowcrop 1/66-12/73), (5200, 7200 Rowcrop 1/67-3/73)
1	<b>R60679</b> Power Steering Pump w/ External Reservoir (1500 psi)	C7NN3A674B	(8000, 8600, 9000, 9600 1/68-2/73)
2	<b>R65172</b> Power Steering Pump w/ Reservoir (1100 psi)	E6NN3K514EA	(4000 4/70->), (5000, 7000 7/70->), 4600, 5600, 6600, 7600, Ind. 3500, 3550, 420 NOTE: This pump is often used to replace (E6NN3K514 650 psi 2000, 3000 10/68->) (D7NN3A674B 650 psi 2600, 3600, 3900, 4100, 4600SU, 231, 335, 531 less Cab), E6NN3K514CA 850 psi, (4000 10/68-3/70) Resetting of the Pressure Relief Valve is recommended.
2	<b>R60678</b> Power Steering Pump (1500 psi)	D6NN3K514B	8600, 9600
3	<b>R66015</b> Power Steering Pump w/ Hydrostatic Steering No Relief Valve in Pump	E6NN3K514AB	(5900 5/88->), (5610, 6610, 6810, 7610 4/85->), 5610S, 6610S, 7610S, 7810S, 8010
4	<b>R65697</b> Cap - Power Steering Pump	D2NN3A006B	2000, 3000, 4000, 5000, 7000, 8600, 8700, 9600, 9700, 2600, 3600, 3900, 4100, 4600, 5600, 5900, 6600, 6700, 7600, 7700, 2310, 2610, 2810, 2910, 3610, 3910, 4110, 4610, 5610, 6610, 6610S, 6710, 7610, 7610S, 7710, 7810S, 8010, 3230, 3430, 3930, 4630, 4830, 5030, 8530, 8630, 8730, 8830, TW5, TW10, TW15, TW20, TW25, TW30, TW35, Ind. 230A, 231, 233, 234, 250C, 260C, 333, 334, 335, 340, 3400, 340A, 340B, 345C, 345D, 420, 445, 445A, 445C, 445D, 450, 4500, 455C, 455D, 515, 530A, 531, 532, 540, 540A, 540B, 545, 545A, 545C, 545D, 550, 555, 555A, 555B, 555C, 555D, 575D, 650, 6500, 655, 655C, 655D, 675D, 750, 7500, 755, 755A, 755B
5	<b>R04433</b> Seal - Power Steering Pump Single Lip (1.125" x .688")	E0NN3N529AA 83925002	Same as Above
6	<b>R11362</b> O-Ring - Reservoir to Pump	D7NN3D587A D2NN3D587A	Same as Above (Pump w/ Reservoir Attached)
7	<b>R65698</b> Filter - Power Steering Pump w/ Reservoir	EDPN3K758A E0NN3K758AA	Same as Above

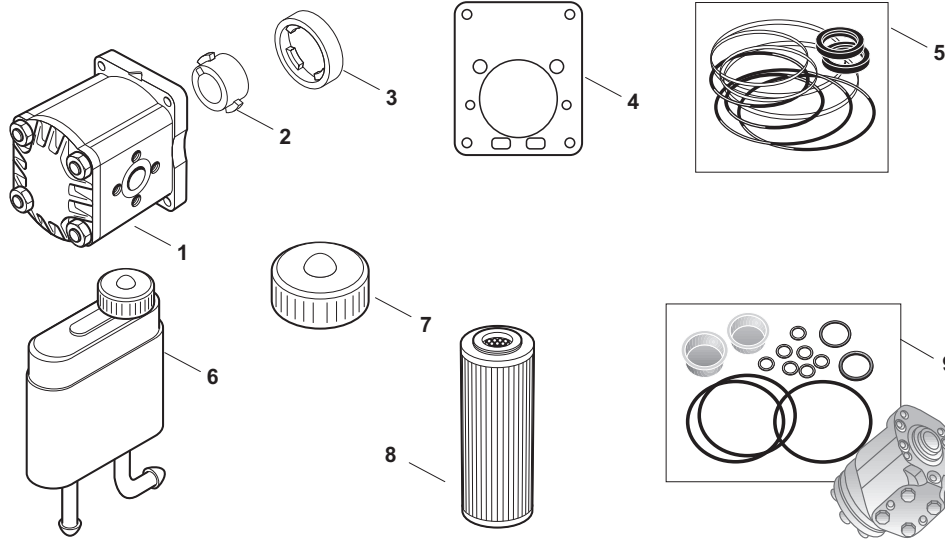
We have attempted to insure the accuracy of the information listed and reserve the right for type error.

Some part numbers and manufactures' names are used strictly for reference purpose only  
Any prices listed are subject to change without notice and are in U.S. dollars. Not all items are stocking items

## Pumps, Filters, Repair Kits and Related Components



OUR #	DESCRIPTION	EQUIVALENT	TRACTOR MODEL
8	<b>R73050</b> Filter - Power Steering	F0NN3N976AA	5640, 6640, 7740, 7840, 8240, 8340, TS90, TS100, TS110
9	<b>R66579</b> Seal / O-Ring Kit - Power Steering Pumps w/ External Reservoir	DHPN3A674A	(2000, 3000, 4000, 5000 65-9/68), (8000, 8600, 9000, 9600 1/68-2/73), Ind. (3400, 3500, 4400, 4500 65-4/70), (2110LCG, 4110LCG 65-9/68), (535 75-9/78)
10	<b>R11370</b> Seal / O-Ring Kit w/ 2 Single Lip Seals	DHPN3A674B	2000, 3000, 4000, 5000, 7000, 8600, 8700, 9600, 9700, 1600, 3600, 3900, 4100, 4600, 5600, 5900, 6600, 6700, 7600, 7700, 2310, 2610, 2810, 2910, 3610, 3910, 4110, 4610, 5610, 6610, 6610S, 6710, 7610, 7610S, 7710, 7810S, 8010, 3230, 3430, 3930, 4630, 4830, 5030, 8530, 8630, 8730, 8830, TW5, TW10, TW15, TW20, TW25, TW30, TW35, Ind. 230A, 231, 233, 234, 250C, 260C, 333, 334, 335, 340, 3400, 340A, 340B, 345C, 345D, 420, 445, 445A, 445C, 445D, 450, 4500, 455C, 455D, 515, 530A, 531, 532, 540, 540A, 540B, 545, 545A, 545C, 545D, 550, 555, 555A, 555B, 555C, 555D, 575D, 650, 6500, 655, 655C, 655D, 675D, 750, 7500, 755, 755A, 755B
11	<b>R65664</b> Seal / O-Ring Kit w/ 1 Double Lip Seal	DHPN3A674B	Same as Above
12	<b>R65785</b> Hose - Pressure, Pump to Column Replaces original steel line	D8NN3A562AA	(5000 9/70->), 7000, 5600, 6600, 7600
13	<b>R65787</b> Hose - Return, Pump to Column Replaces original steel line	D7NN3B569E	(4000 8/70->), 4600, Ind. 340, 540
14	<b>R65786</b> Hose - Return, Pump to Column Replaces original steel line	D8NN3A569BA	(5000 9/70->), 7000, 5600, 6600, 7600

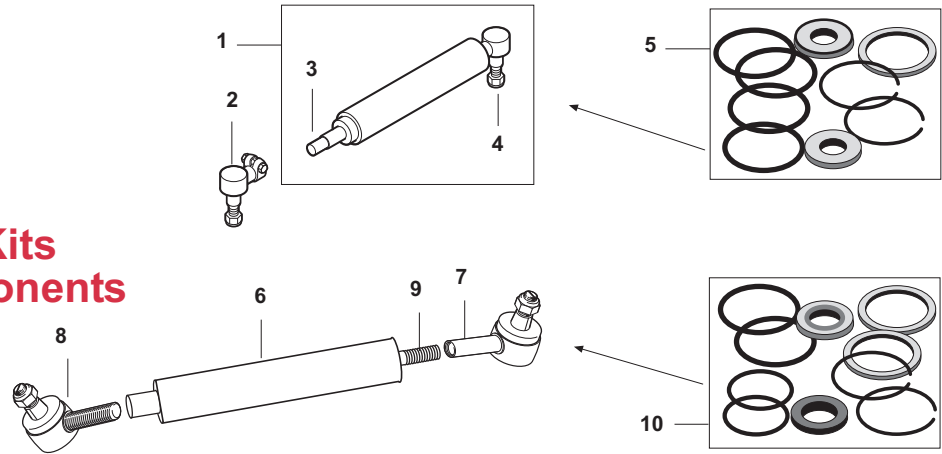


## Pumps, Filters, Repair Kits and Related Components

OUR #	DESCRIPTION	EQUIVALENT	TRACTOR MODEL
1	<b>R59130</b> Power Steering Pump (18 Ltr)	5179732 5130127 569309	<b>4430 (4 wd)</b>
1	<b>R62217</b> Power Steering Pump (25 Ltr)	5179722 5129481	<b>3010S, (3830, 4430 2 wd)</b>
2	<b>R62485</b> Hub	5118570	<b>Same as Above</b>
3	<b>R62484</b> Coupler	5118569	<b>3010S, 3830, 4430, 4835, 5635, 6635, 7635, TN65F, TN75F, TN90F</b>
4	<b>R62598</b> Gasket	98486662 4850986 4607590	<b>3010S, 3830, 4430</b>
5	<b>R62807</b> Pump Repair Kit	5145656	<b>3010S, 3830, 4330, 4430, 4835, 5635, 6635</b>
6	<b>R62436</b> Reservoir w/ Cap	5111529	<b>3010S, 3830, 4330, 4430</b>
7	<b>R62437</b> Cap - Reservoir	5106842	<b>Same as Above</b>
8	<b>R62332</b> Filter Elements	1909143	<b>3010S, 3830, 4330, 4430</b>
9	<b>R41499</b> Steering Motor Repair Kit	9932893	<b>3010S, 3830, 8160, 8260, 8360, 8560</b>



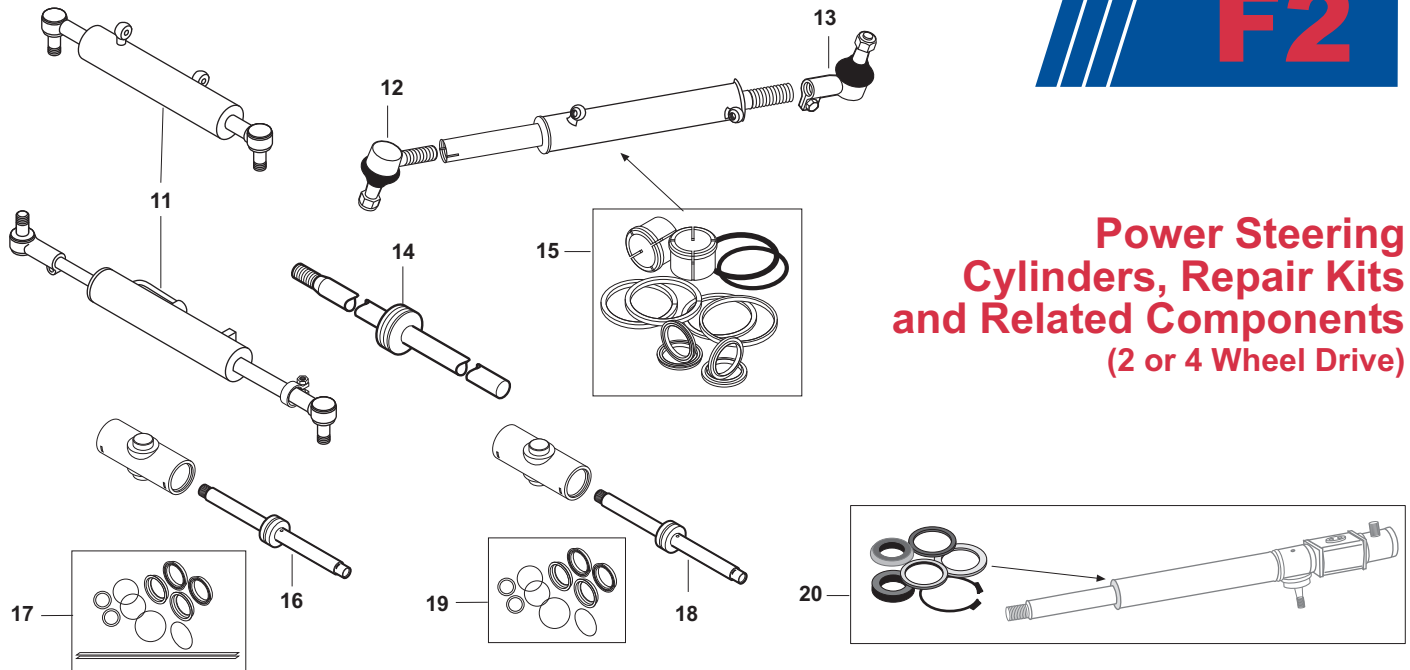
## Power Steering Cylinders, Repair Kits and Related Components (2 or 4 Wheel Drive)



OUR #	DESCRIPTION	EQUIVALENT	TRACTOR MODEL
1	<b>R60656</b> Power Steering Cylinder - LH/RH (1/2" Rod - 7/16" Thread) <b>NOTE:</b> Do not mix rod sizes on tractor	E2NN3A540BA E2NN3D547AA	<b>2000, 3000, 4000SU, 2600, 3600, 3900, 4100, 4600SU, (2310, 2610, 2910, 3610, 4110, 4610SU, 81-1/86), Ind. (230A 81-1/86), 231, (234, 334, 530A 81-1/86), 531, 2110LCG, 4110 LCG</b>
1	<b>R60419</b> Power Steering Cylinder - LH/RH (5/8" Rod - 7/16" Thread) <b>NOTE:</b> Do not mix rod sizes on tractor	D4NN3A540A D4NN3D547A	<b>2000, 3000, 4000SU, 2600, 3600, 3900, 4100, 4600SU, (2310, 2610, 2810, 2910, 3610, 3910, 4110, 4610SU, -&gt;4/89), Ind. 230A, 231, 335, 335, 3400, 530A, 531, 532</b>
1	<b>R60658</b> Power Steering Cylinder - LH/RH (5/8" Rod - 1/2" Thread) <b>NOTE:</b> Do not mix rod sizes on tractor	C5NN3C578B C5NN3A739G	<b>Ind. 3400, 335, 532</b>
2	<b>R60649</b> Cylinder End - Rod End (7/16" Female Thread)	C5NN3A302B	<b>2000, 3000, 4000SU, 2600, 3600, 3900, 4100, 4600SU, (2310, 2610, 2910, 3610, 3910, 4110, 4610SU, 81-1/86), Ind. 231, 531, (234, 334, 335 81-1/86), 2110LCG, 4110 LCG</b>
2	<b>R60659</b> Cylinder End - Rod End (1/2" Female Thread)	C5NN3300A	<b>Ind. 3400, 335, 532</b>
3	<b>R60642</b> Cylinder - Rod ONLY (1/2" Male Thread)		<b>Fits R60656 Cylinder only</b>
4	<b>R61345</b> Cylinder End - Rear		<b>Fits R60656, R60658, R60419 Cylinders only</b>
5	<b>R60666</b> Cylinder Repair Kit (1/2" Rod)		<b>Repairs R60656 only (Will NOT repair original equipment cylinder)</b>
5	<b>R60668</b> Cylinder Repair Kit (5/8" Rod)		<b>Repairs R60658, R60419 only (will NOT repair original equipment cylinder)</b>
6	<b>R60751</b> Power Steering Cylinder (11/16" Rod) Does NOT include either end	86516202 E6NN3A540CA E3NN3A540AA	<b>Ind. 445, 550, 5550, 555, 555A, 555B, 655, 655A, 755B, 7500</b>
7	<b>R71113</b> Cylinder End - Female Thread	D9NN3A302AB	<b>Same as Above</b>
8	<b>R71114</b> Cylinder End - Male Thread	D9NN3A303AB	<b>Same as Above</b>
9	<b>R61418</b> Cylinder Rod ONLY		<b>Fits R60751 Cylinder only</b>
10	<b>R61899</b> Cylinder Repair Kit		<b>Fits R60751 Cylinder (Will NOT repair original equipment cylinder)</b>

We have attempted to insure the accuracy of the information listed and reserve the right for type error.

Some part numbers and manufactures' names are used strictly for reference purpose only  
Any prices listed are subject to change without notice and are in U.S. dollars. Not all items are stocking items

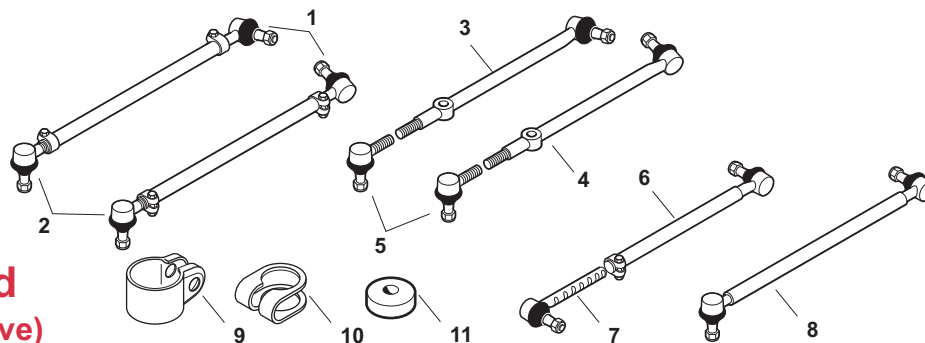


## Power Steering Cylinders, Repair Kits and Related Components (2 or 4 Wheel Drive)

OUR #	DESCRIPTION	EQUIVALENT	TRACTOR MODEL
11	<b>R74756</b> Power Steering Cylinder - 2 WD	E3NN3A540BA	5900, (5610, 6610, 6810, 7610, 7810 4/85->), (5610S, 6610S, 7610S, 7810S 1/94-5/96)
11	<b>R74757</b> Power Steering Cylinder - 2 WD	E9NN3A540BC	5640, 6640, 7740, 7840, TS90, TS100, TS110
12	<b>R65689</b> Cylinder End - Male - 2 WD Fits R74756	D8NN3A302AA D5NN3A302B D5NN3A302C	6700, 7700, 6710, (7710,7810, 7910, 8210, 8530, 8630, 8730, 8830, TW5, TW10, TW15, TW20, TW25, TW30, TW35, 8700, 9700 8/76->)
12	<b>R66358</b> Cylinder End - Male - 2 WD Fits R74757	E9NN3N981AA	5640, 6640, 7740, 7840, 8240, 8340, TS90, TS100, TS110
12	<b>R65668</b> Cylinder End - Male - 2 WD	E3NN3N981AA	5900, 3010S, 5610, 5610S, 6610, 6610S, 6810, 7610, 7610S, 7810, 7810S, 8010
13	<b>R65688</b> Cylinder End - Female - 2 WD Fits R74756	D8NN3B539AB D8NN3B539AA E6NN3B539AA	6700, 7700, 6710, (7710,7810, 7910, 8210, 8530, 8630, 8730, 8830, TW5, TW10, TW15, TW20, TW25, TW30, TW35, 8700, 9700 8/76->)
13	<b>R66357</b> Cylinder End - Female - 2 WD Fits R74757	E9NN3B539AA	5640, 6640, 7740, 7840, 8240, 8340, TS90, TS100, TS110
13	<b>R65667</b> Cylinder End - Female - 2 WD	E3NN3B539AA	5900, 3010S, 5610, 5610S, 6610, 6610S, 6810, 7610, 7610S, 7810, 7810S, 8010
14	<b>R07823</b> Cylinder Rod - Cascade Cylinder	E3NN3A747AA	5900, (5610, 6610, 6810, 7610, 7810 4/85->), (5610S, 6610S, 7610S, 7810S 1/94-5/96)
14	<b>R07824</b> Cylinder Rod - 2 WD	E9NN3A747AA	5640, 6640, 7740, 7840, (TS90, TS100, TS110)
15	<b>R65809</b> Cylinder Repair Kit - 2 WD	EFPN33301A	(5900, 5610, 6610, 7610, 7810 4/85->), (5610S, 6610S, 7610S, 1/94-5/96), 5640, 6640, 7740, 7840, 8240, 8340, TS90, TS100, TS110
16	<b>R07825</b> Cylinder Rod - 4 WD (Repairs CAR120226 Cylinder)		(5610, 6610, 6810, 7610, 7710, 7810, 7910 2/87->), 6610S, 7610S, 7810S, 8010, (3230, 3430, 3930, 4130, 4630, 4830, 5030, 3/90->)
17	<b>R12911</b> Cylinder Repair Kit - 4 WD	CAR49101	Same as Above
18	<b>R07826</b> Cylinder Rod - 4 WD (Repairs CAR125188)		(5640, 6640, 7740, 7840, 8240, 8340 11/91-12/94)
19	<b>R07827</b> Cylinder Seal Kit - 4 WD	CAR49117	Same as Above
20	<b>R65818</b> Cylinder Repair Kit (Packing for Cylinder only)	CFPN3301A	(4000 65-3/70), Ind. 3500, 3550, 420

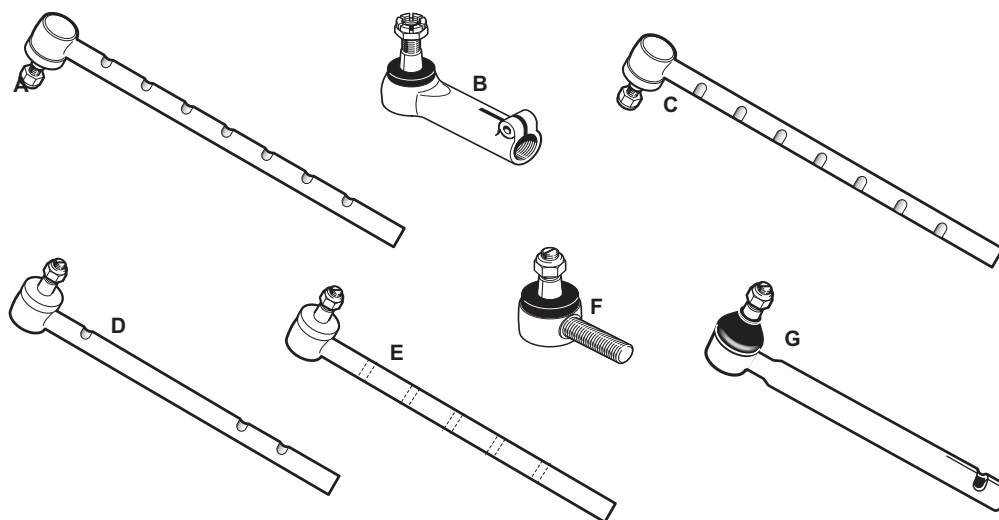
We have attempted to insure the accuracy of the information listed and reserve the right for type error.

Some part numbers and manufactures' names are used strictly for reference purpose only Any prices listed are subject to change without notice and are in U.S. dollars. Not all items are stocking items



## Drag Links and Related Components (2 Wheel Drive)

OUR #	DESCRIPTION	EQUIVALENT	TRACTOR MODEL
1	R65050 Drag Link End - Rear	957E3307B	(2000, 3000 Manual), (2600, 3600, 3900, 2310, 2610, 2910, 3610, 3910 Manual, Less Cab), Ind. (230A, 231, 233, 333, 530A, 531 Manual, Less Cab), (2110LCG, 4110LCG Manual)
2	R65044 Drag Link End - Front	957E3290B	Same as Above
2	R65048 Drag Link End - Front	C5NN3308C	(5000 Manual 1/65-12/67)
2	R66003 Drag Link End - Front	E3NN3308BA	(5000 Power Steering 65-8/67)
3	R65795 Drag Link End - Rear - RH	C5NN3307G	(2000, 3000, 4000SU Power Steering), 2600, 3600, 3900, 4100, 4600SU, 2610, 2810, 2910, 3910, 4110, 4610SU Power Steering, Less Cab), Ind. (230A, 231, 234, 334, 530A, 531 Less Cab), 2110LCG, 4110LCG Power Steering)
4	R65054 Drag Link End - Rear - LH	C5NN3308E	Same as Above
5	R65045 Drag Link End - Front	C5NN3A300B	Same as Above
6	R65052 Drag Link End - Rear	C7NN3307A	(4000 Manual 4/70->), (4000 Power Steering 8/70-12/71), (4600 4610, 3430, 3930, 4130, 4630, 4830, 5030 Manual)
6	R65055 Drag Link End - Rear	D0NN3307A	(4000 Power Steering 1/72->), (4600 Power Steering)
6	R65056 Drag Link End - Rear	E1NN3307AA	(4610, 4630, 4830, 5030 Power Steering)
6	R65042 Drag Link End - Rear	C7NN3304C	(5000, 5600, 6600, 7600, 5610, 6610 Manual)
6	R65053 Drag Link End - Rear (Threaded End Only)	C5NN3307E	(5000 Manual 65-12/67)
6	R65040 Drag Link End - Rear (15/16" Peg) (Weld-on End Only)	C5NN3304T	(5000, 5600, 6600, 7600, 5610, 6610 Manual)
7	R65046 Drag Link End - Front	D0NN3A300A	4000, 4600, (3430, 3930, 4130, 4630, 4830, 5030 Manual)
7	R65047 Drag Link End - Front	E1NN3A300AA	4610, (4630, 4830, 5030 Power Steering)
7	R65049 Drag Link End - Front	C7NN3A300A	(5000 Manual 1/68->), (5600, 6600, 7600, 5610, 6610 Manual)
8	R65043 Drag Link Assembly	E0NN3304CA	(5000 Power Steering 9/70->), 7000, (5600, 6600, 7600, 5610, 6610, 7610 Power Steering)
9	R63372 Clamp - Tie Rod (7/8")		Various Models (Check Dimensions)
9	R63373 Clamp - Tie Rod (1 1/16")		Various Models (Check Dimensions)
9	R63374 Clamp - Tie Rod (1 3/16")		Various Models (Check Dimensions)
10	R63375 Clamp - Tie Rod (1 7/64") (Tie Rod w/ groove for bolt)		Various Models (Check Dimensions)
10	R63376 Clamp - Tie Rod (1 1/4") (Tie Rod w/ groove for bolt)		Various Models (Check Dimensions)
10	R63377 Clamp - Tie Rod (1 7/64") (Tie Rod w/ groove for bolt)		Various Models (Check Dimensions)
10	R63378 Clamp - Tie Rod (1 1/4") (Tie Rod w/ groove for bolt)		Various Models (Check Dimensions)
11	R65948 Dust Seal - Tie Rod End (1 11/16"OD, 5/8"ID, 5/8" Thick)		340, 420, 515, 535, 540, 3000, 3230, 3430, 3500, 3550, 3930, 4000, 4130, 4200, 4400, 4500, 4630, 4830, 5000, 5030, 5100, 5200, 5340, 5600, 5610, 5700, 5900, 6600, 6610, 6700, 6710, 7000, 7100, 7200, 7600, 7610, 7700, 7710, 7910, 8000, 8210, 8530, 8600, 8700, 8730, 8830, 9000, 9200, 9600, 9700, TW5, TW10, TW15, TW20, TW25, TW30, TW35



## Tie Rods - Outer (2 Wheel Drive)

1 = RH - Outer  
2 = LH - Outer  
3 = RH - Inner  
4 = LH - Inner  
Style = A,B,C, D,E,F,G

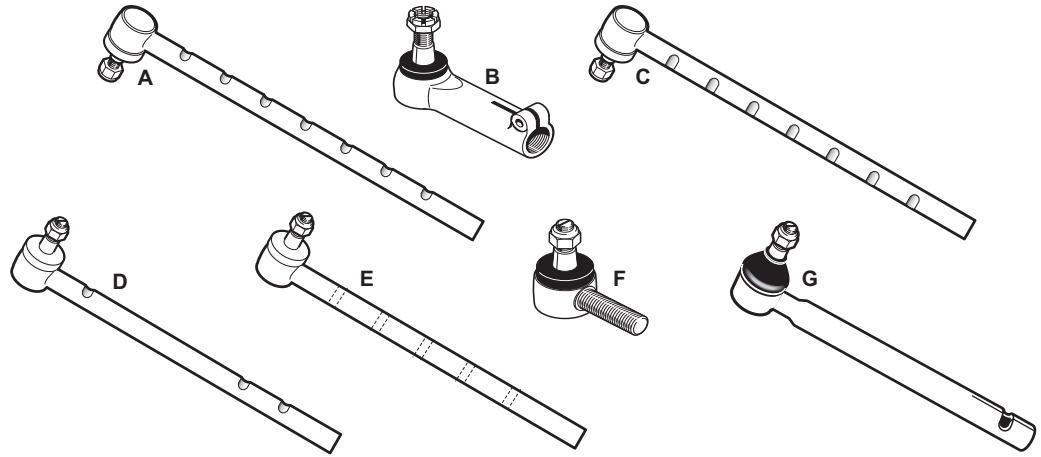
OUR #	DESCRIPTION	EQUIVALENT	TRACTOR MODEL
1A <b>R65057</b>	Tie Rod - RH - Outer 19.44" X 3/4" Dia - 7 Grooves	C5NN3278A	(4000 Manual/Power Steering 65-5/67)
1B <b>R65062</b>	Tie Rod - RH - Outer 4.14" x 3/4" UNF	C5NN3289C	(4000 Manual/Power Steering 6/67->), 4600, 4610, 3430, 3930, 4130, 4630, 4830, 5030
1C <b>R65063</b>	Tie Rod - RH - Outer 18.14" x 15/16" - 7 Grooves	C5NN3280F	(5000 Manual 1/65-5/67)
1B <b>R65065</b>	Tie Rod - RH - Outer 4.40" x 15/16" UNF	C7NN3289E	(5000 Manual 6/67->), (5600, 6600, 7600, 5610, 6610 Manual)
1C <b>R65064</b>	Tie Rod - RH - Outer 2.50" x 3/4" UNF	C7NN3280E	(5000 Power Steering), 7000, 5600, 6600, 7600, 5900, 5610, 6610, 7610
1C <b>R63317</b>	Tie Rod - RH - Outer 16.50" x M20 - 6 Grooves	5109528	4430
1E <b>R65829</b>	Tie Rod - RH - Outer (1/18" Dia)	E3NN3278AA	5900, (5610, 6610, 6810, 7610 4/85-1/86)
1A <b>R65665</b>	Tie Rod - RH - Outer (1.27" Dia) 18.40" - 7-.43" Holes Holes Top & Bottom	E3NN3278AB	5900, (5610, 6610, 6810, 7610 2/86->), 3010S, 5610S, 6610S, 7610S, 7810S, 8010
1C <b>R65687</b>	Tie Rod - RH - Outer 34.21" - 3/8" - 8 Holes Holes Left & Right	E1NN3280AA	(8700, 9700 8/76-12/78), 6700, 7700, 6710, 7710, 7910, 8210, 8530, 8630, 8730, 8830, TW5, TW10, TW15, TW20, TW25, TW30, TW35 (Long wheel base tractors)
1F <b>R65686</b>	Tie Rod - RH - Outer 9.33" x 1" - 16 tpi	E1NN3289AA	6700, 7700, 6710, 7710, 7910, 8210, 8530, 8630, 8730, 8830, 8700, 9700 8/76-12/78), TW5, TW10, TW15, TW20, TW25, TW30, TW35 (Short wheel base tractors)
1E <b>R66356</b>	Tie Rod - RH - Outer	E9NN3278AA	5640, 6640, 7740 7840, TS90, TS100, TS110
2A <b>R65057</b>	Tie Rod - LH - Outer 19.44" x 3/4" - 7 Grooves	C5NN3278A	4000, 4600, 4610, (3430, 3930, 4130, 4630, 4830, 5030 ->5/93)
2B <b>R65058</b>	Tie Rod - LH - Outer	C5NN3281C	(5000 Manual 65-5/67)
2A <b>R65060</b>	Tie Rod - LH - Outer 18.14" x 15/16" - 7 Grooves	C7NN3280F	(5000 Manual 6/67->), (5600, 6600, 7600, 5610, 6610 Manual)
2C <b>R65059</b>	Tie Rod - LH - Outer 16.06" x .95" - 7 Grooves	C7NN3281A	(5000, 7000, 5600, 6600, 7600, 5610, 6610, 7610 Power Steering)
2B <b>R65666</b>	Tie Rod - LH - Outer 4.92" x 1" - 16 tpi - offset	E3NN3289AA	5900, 3010S, 5610, 6610, 6610S, 6810, 7610, 7610S, 7810, 7810S, 8010
2F <b>R65686</b>	Tie Rod - LH - Outer 9.33" x 1" - 16 tpi	E1NN3289AA	6700, 7700, 6710, 7710, 7910, 8210, 8530, 8630, 8730, 8830, (8700, 9700 8/76-12/78), TW5, TW10, TW15, TW20, TW25, TW30, TW35 (Long wheel base tractors)
2F <b>R63167</b>	Tie Rod - LH - Outer 3.13" x M20 x 1	5109526	3830, 4330, 4430
2F <b>R63168</b>	Tie Rod - LH - Outer 3.13" X M20 X 1	5109553	3430, 3930, 4130, 4630, TN65F, TN75F, TN90F
2E <b>R66355</b>	Tie Rod - LH - Outer	E9NN3289AA	5640, 6640, 7740, 7840, 8240, 8340, TS90, TS100, TS110

We have attempted to insure the accuracy of the information listed and reserve the right for type error.

Some part numbers and manufactures' names are used strictly for reference purpose only  
Any prices listed are subject to change without notice and are in U.S. dollars. Not all items are stocking items

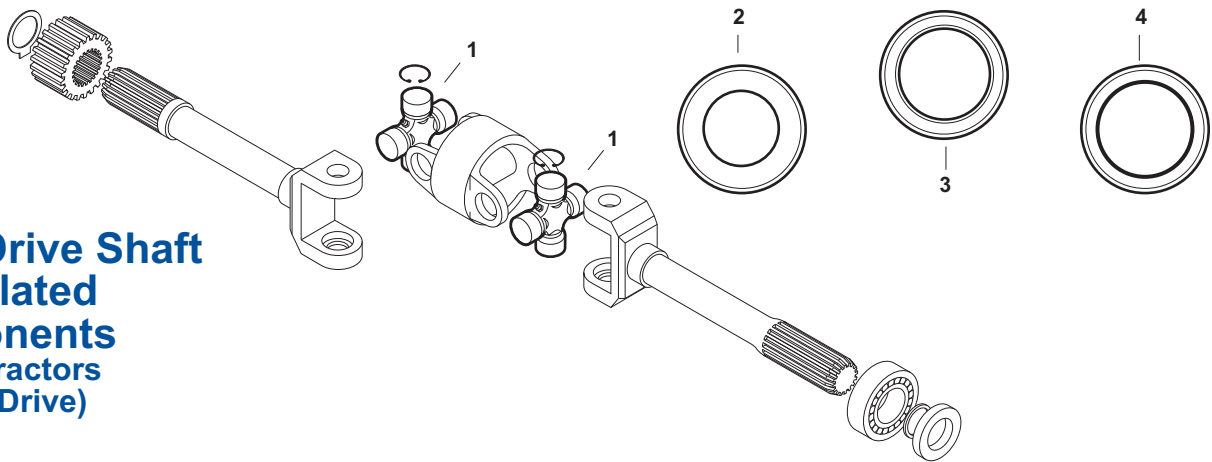
## Tie Rods - Inner (2 Wheel Drive)

1 = RH - Outer  
2 = LH - Outer  
3 = RH - Inner  
4 = LH - Inner  
Style = A,B,C, D,E,F,G



OUR #	DESCRIPTION	EQUIVALENT	TRACTOR MODEL
3F <b>R65067</b>	Tie Rod - RH - Inner (4.14" x 1" UNF)	C7NN3289D	(5000 Power Steering 9/70->), 7000, 5600, 6600, 7600, (5610, 6610, 7610 ->3/85)
3G <b>R65061</b>	Tie Rod - RH - Inner (14.5" x 3/4" Dia)	D4NN3278A	(2600, 3600, 4100 w/ Cab), (2310, 2610, 2810, 2910, 3610, 3910, 4110 w/ Q Cab UK), (233, 333 w/ Cab), (334, 335 w/ Q Cab UK)
4G <b>R65066</b>	Tie Rod - LH - Inner (18.79" x 15/16" Dia)	C7NN3B161A	(5000 Power Steering 9/70->), 7000, 5600, 6600, 7600, 5900, 5610, 6610, 7610
4G <b>R65061</b>	Tie Rod - LH - Inner (4.5" x 3/4" Dia)	D4NN3278A	(2600, 3600, 4100 w/ Cab), (2310, 2610, 2810, 2910, 3610, 3910, 4110 w/ Q Cab UK), (233, 333 w/ Cab), (334, 335 w/ Q Cab UK)
4F <b>R66003</b>	Tie Rod - LH - Inner	E3NN3308BA C5NN3308D	4400, 515

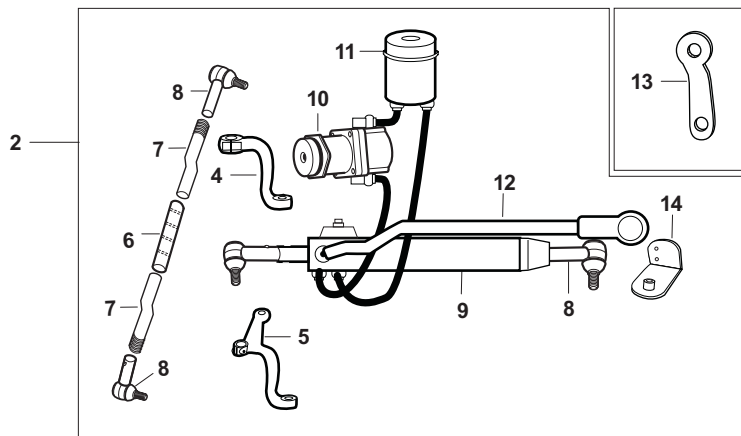
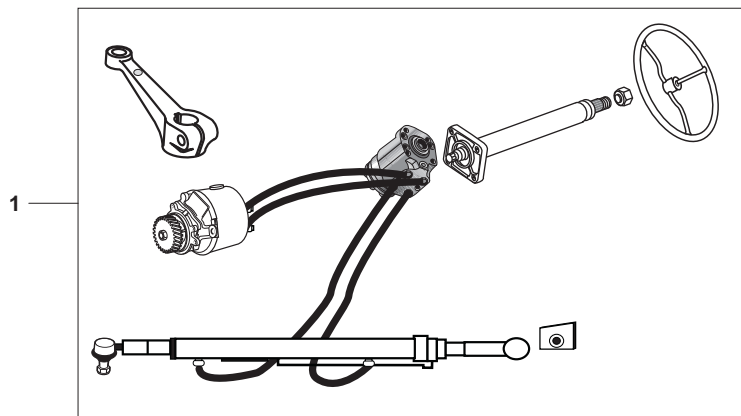
## Front Drive Shaft and Related Components County Tractors (4 Wheel Drive)



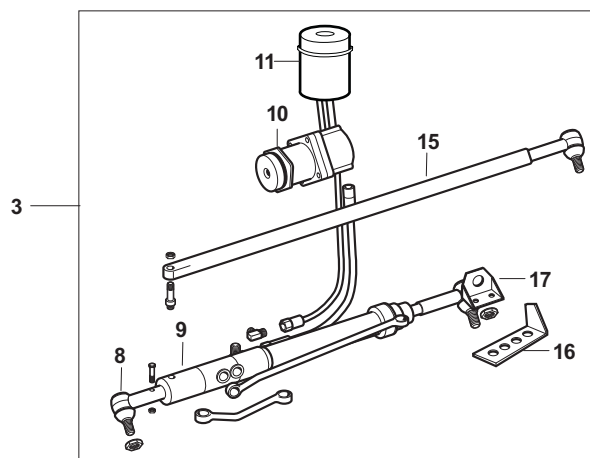
OUR #	DESCRIPTION	EQUIVALENT	TRACTOR MODEL
1 <b>R65170</b>	Universal Joint (115mm x 39.5mm)	CFT23704	754, 1124, 1164
2 <b>R65693</b>	Seal - Front Axle - County (3.25" x 2.18" x 0.50") (82.4mm x 55.4mm x 12.6mm)	CFT19202	1124, 1164, 754, Super 4, Super 6 (Pivot Pin, Front 4 Wheel Drive Axle)
3 <b>R65692</b>	Seal - Front Axle - County (5" x 3.675" x 0.615") (120.8mm x 93mm x 15.8mm)	CFT19223	1124, 1164, 754, Super 4, Super 6 (Stub Axle Shaft, Front 4 Wheel Drive Axle)
4 <b>R65694</b>	Seal - Front Axle - County (2.75" x 2" x 0.62") (70mm x 50.5mm x 15.7mm)	CFT19205	1124, 1164, 754, Super 4, Super 6 (Pinion Housing, Front 4 Wheel Drive Axle)

We have attempted to insure the accuracy of the information listed and reserve the right for type error.

Some part numbers and manufactures' names are used strictly for reference purpose only  
Any prices listed are subject to change without notice and are in U.S. dollars. Not all items are stocking items



## Add-on Power Steering Kits



*\*NOTE: These kits are add-on units designed for tractors without Loaders. The Cylinder and/or Tie Rod Assembly may interfere with loader frames.*

OUR #	DESCRIPTION	EQUIVALENT	TRACTOR MODEL
1	<b>R66852</b> Orbital Motor Add-on Power Steering Kit Can be used with Loaders - Includes Steering Wheel		2000, 3000, 2600, 3600
2	<b>R60747*</b> Power Steering Conversion Kit - 3 Cylinder (Must be modified for gas & generator applications)		2000, 2600, 3000, 3600
3	<b>R60748*</b> Power Steering Conversion Kit - 3 Cylinder		4000, 4600
3	<b>R60749*</b> Power Steering Conversion Kit - 4 Cylinder		5000, 5600, 6600
4	<b>R60373</b> Spindle Arm - RH		2000, 3000, 2600, 3600
5	<b>R60371</b> Spindle Arm - LH		2000, 3000, 2600, 3600
6	<b>R60390</b> Tie Rod - Middle		2000, 3000, 2600, 3600
7	<b>R60388</b> Tie Rod - Outer - RH/LH		2000, 3000, 2600, 3600
8	<b>R60391</b> Tie Rod End - RH/LH		2000, 3000, 2600, 3600
9	<b>R60367</b> Cylinder		2000, 3000, 2600, 3600
9	<b>R60368</b> Cylinder		4000, 4600, 5000, 5600, 6600
10	<b>R61582</b> Power Steering Pump		2000, 3000, 2600, 3600
10	<b>R61583</b> Power Steering Pump		4000, 4600, 5000, 5600, 6600
11	<b>R60319</b> Reservoir		2000, 3000, 2600, 3600
12	<b>R60380</b> Drag Link		2000, 3000, 2600, 3600
13	<b>R60379</b> Gear Box Arm		2000, 3000, 2600, 3600
14	<b>R60372</b> Bracket - Cylinder Mount		2000, 3000, 2600, 3600
15	<b>R60381</b> Drag Link		4000, 4600
15	<b>R60382</b> Drag Link		5000, 5600, 6600
16	<b>R60376</b> Bracket - Cylinder Mount		4000, 4600
17	<b>R60377</b> Bracket - Cylinder Mount		5000, 5600, 6600

We have attempted to insure the accuracy of the information listed and reserve the right for type error.

Some part numbers and manufactures' names are used strictly for reference purpose only  
Any prices listed are subject to change without notice and are in U.S. dollars. Not all items are stocking items