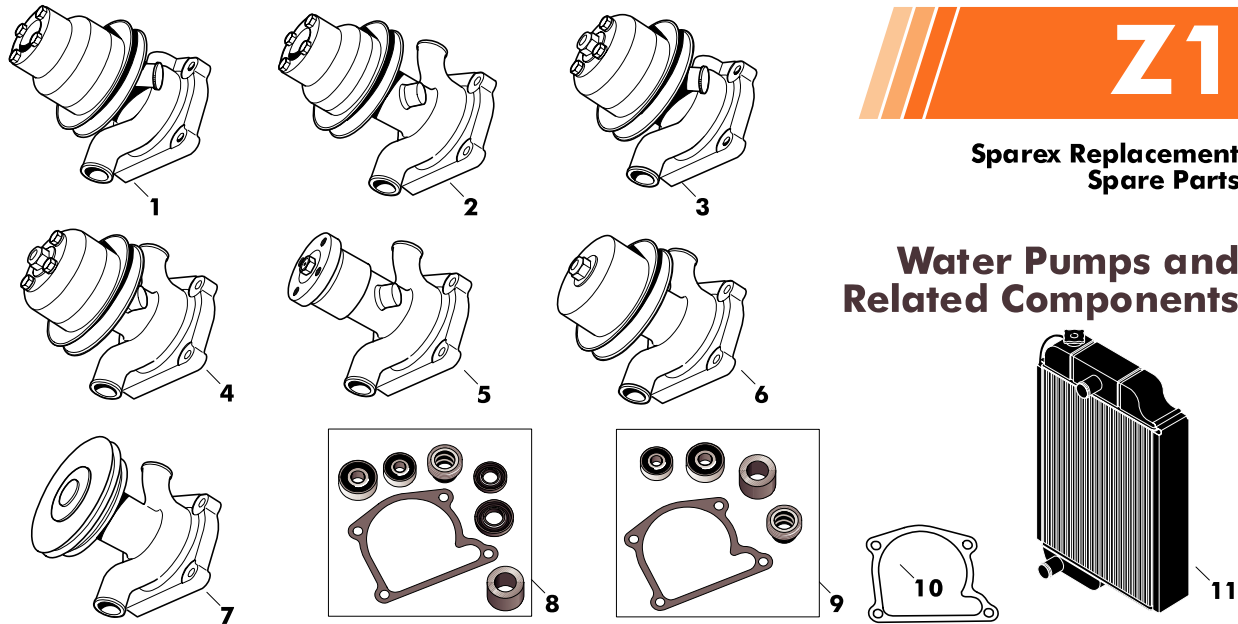


Water Pumps and Related Components



SPAREX No.

DESCRIPTION

EQUIVALENT

TRACTOR MODEL

SPAREX No.	DESCRIPTION	EQUIVALENT	TRACTOR MODEL
1	S.64245 Water Pump with Pulley	6901 0651	(5011Z5001>10352), (6011, 6045 Z6001>8850) (7011, 7045 Z7001>18402)
2	S.64347 Water Pump with Pulley	6901 0656	(5011Z5001 10353>), (6011, 6045 Z6001 8851>) (7011, 7045 Z7001 18403>)
3	S.64218 Water Pump with Pulley	5501 0697 5501 0600	5711, 5718, 5745, 5748, 6711, 6718, 6745, 6748
4	S.4964219 Water Pump with Pulley	6201 0615	2511, 3011, 3045, 3511, 3513, 3545, 4511, 4712, 4718, 5011, 5211 5245, 6011, 6045, 6211, 6245, 7011, 7045, 7211, 7245, 7711, 7745
5	S.64219 Water Pump less Pulley	6201 0615	2511, 3011, 3045, 3511, 3513, 3545, 4511, 4712, 4718, 5011, 5211 5245, 6011, 6045, 6211, 6245, 7011, 7045, 7211, 7245, 7711, 7745
6	S.68702 Water Pump with Pulley (132mm Dia.)	7101 0625	3320, 3340, 4320, 4340, 5320, 5340, 6320, 6340
6	S.68703 Water Pump with Pulley (117mm Dia.)	7101 0635	7320, 7340
7	S.68704 Water Pump with Pulley (128/163mm Dia.)	53 017 029	3321, 3341, 4321, 4341, 5321, 5341
7	S.68705 Water Pump with Pulley (113/144mm Dia.)	53 017 039	6321, 6341
7	S.68706 Water Pump with Pulley with By-pass connector (113/144mm Dia.)	53 017 019	7321, 7341
8	S.64123 Repair Kit - Water Pump		2011-7045
9	S.64124 Repair Kit - Water Pump		5211-7245
10	S.64027 Water Pump Gasket	95 0613	2011, 2511, 2513, 3011, 3320, 3321, 3340, 3341, 3511, 3513, 3545 4011, 4320, 4321, 4340, 4341, 4511, 4611, 5011, 5211, 5245, 5320 5321, 5340, 5341, 5911, 6011, 6045, 6211, 6245, 6320, 6321, 6340 6341, 6911, 6945, 7011, 7045, 7045H, 7211, 7245, 7245H 7320, 7321, 7340, 7341, 7711, 7745
11	S.64046 Radiator	7201 1312	3320, 3340, 4320, 4340, 4911, 5011, 5211, 5245, 5320, 5340, 5545 5645, 5647, 5711, 5718, 5745, 5748, 5911, 5945, 6011, 6045, 6211 6245, 6320, 6340, 6711, 6718, 6745, 6748, 6911, 6945, 7011, 7045 7045H, 7211, 7245, 7245H, 7711, 7745, 7745T

Please see Index for alternative O.E. part numbers.

These parts are Sparex parts and are not manufactured by the Original Equipment Manufacturer. Original Equipment Manufacturers names, part numbers and descriptions are quoted for reference purposes only.